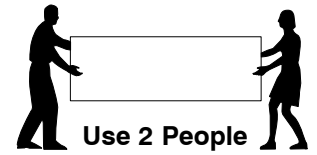
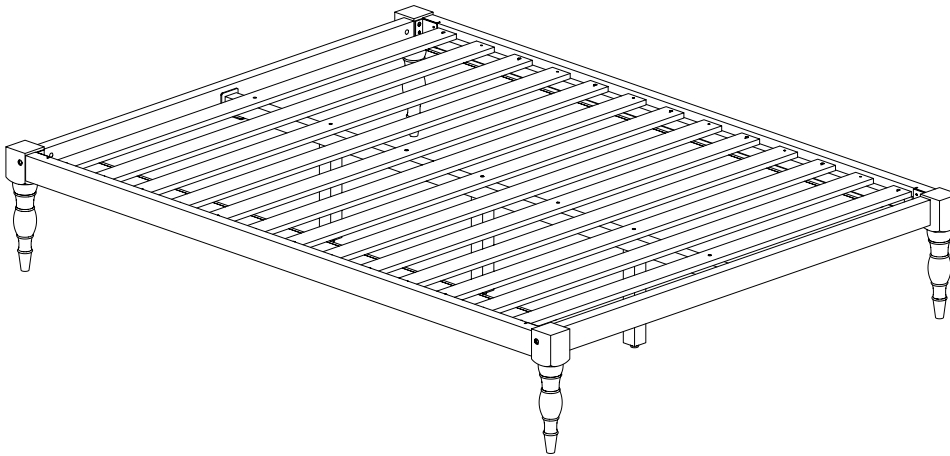
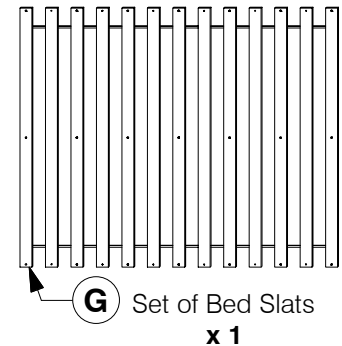
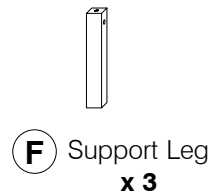
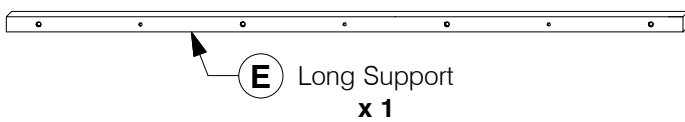
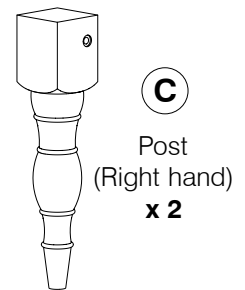
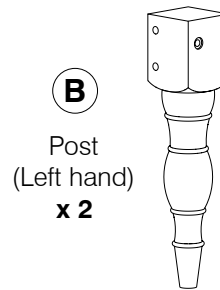


1 Assembled View



Note: Do not assemble using power tools. This can cause the bolts to be overtightened

2 Parts List



3 Hardware List



1 M6 x 100mm JCB
x 7



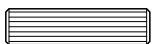
2 M6 x 40mm JCB
x 18



3 M6 x 20mm JCB
x 8



4 M6 x 15mm JCB
x 4



5 Wood Dowel
(M10 x 40mm) x 4



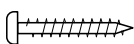
6 Barrel Nut
x 7



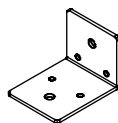
7 Spring Washer
x 8



8 Flat Washer
x 8



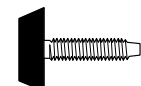
9 Wood Screw
(M4 x 32mm) x 12



10 Center Rail
Bracket x 2

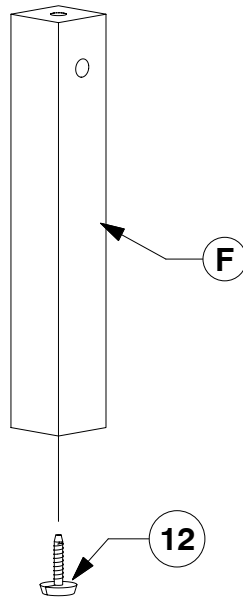


11 Allen Key
x 1

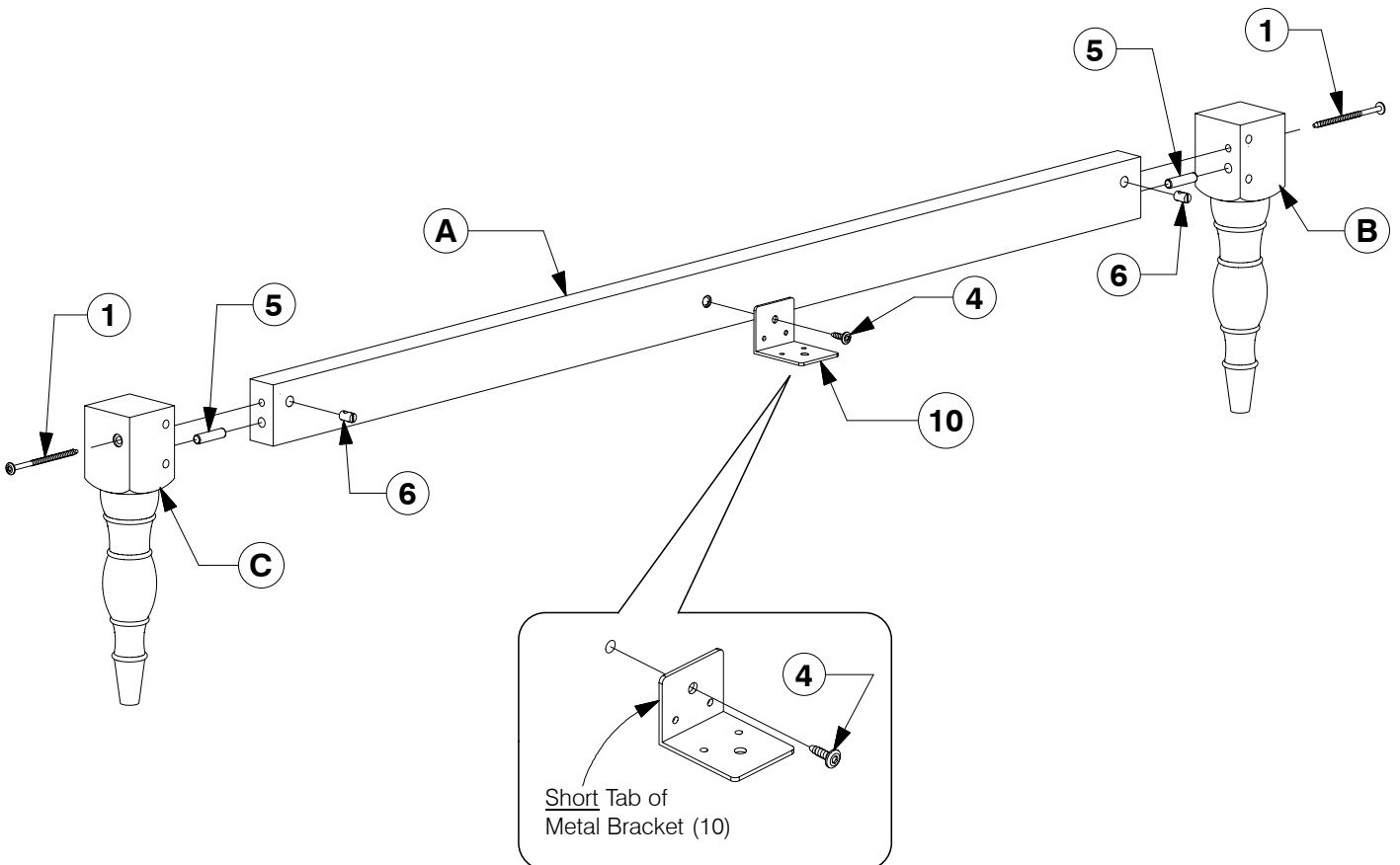


12 Adjustable
Foot x 3

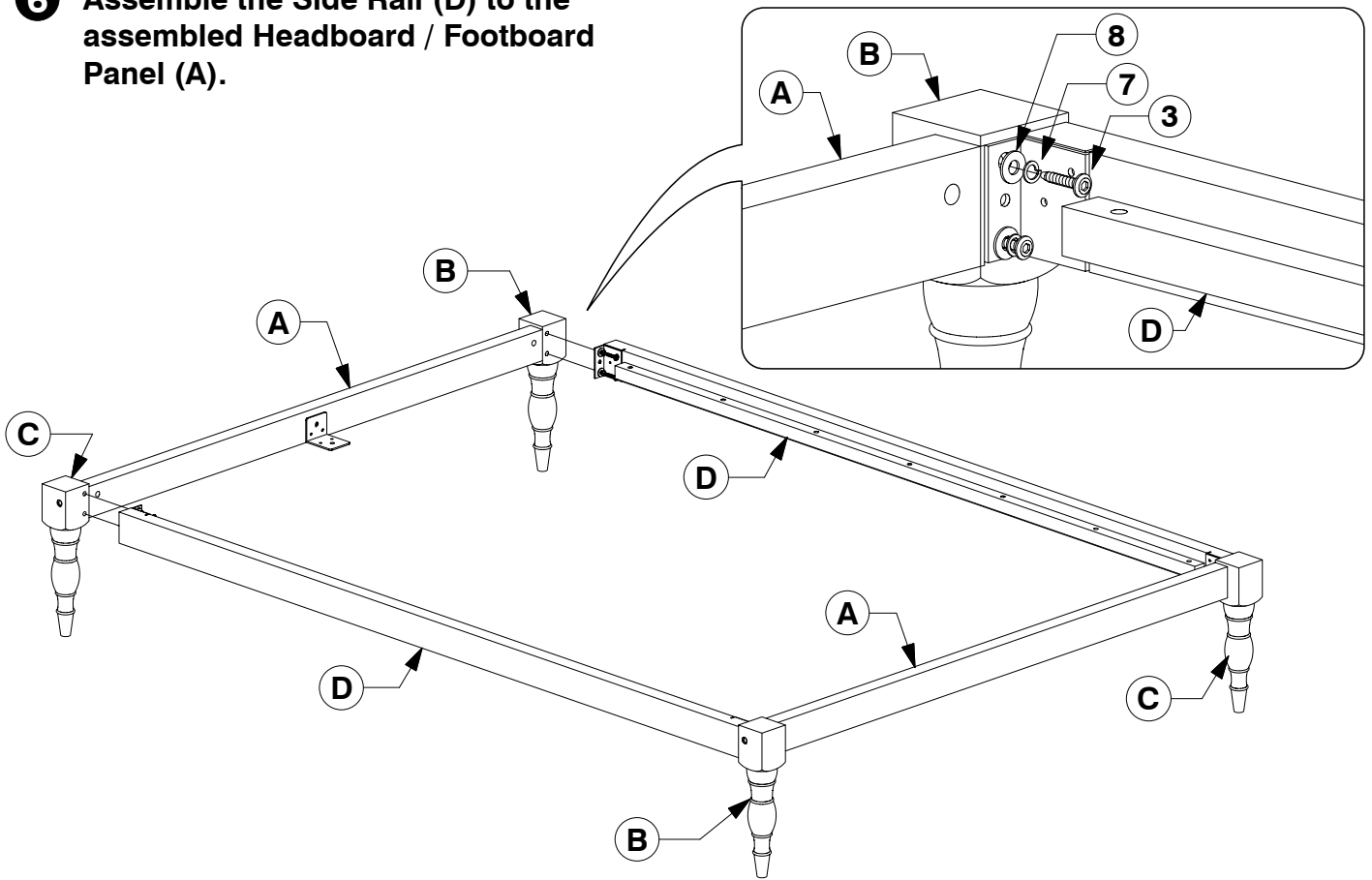
4 Fix the Adjustable foot to the bottom of the Support Leg (F).



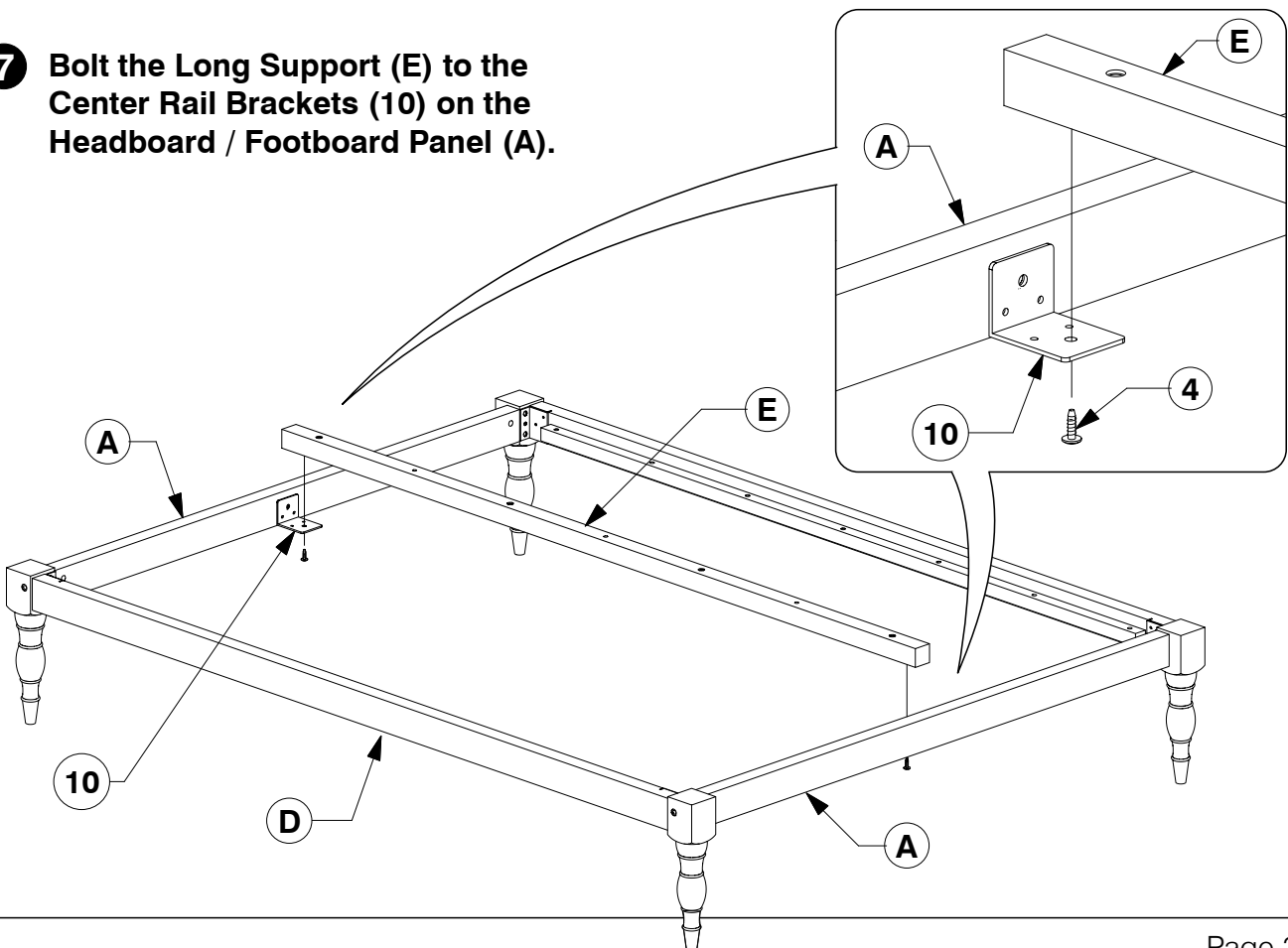
5 Assemble the Post (B & C) to the Headboard / Footboard Panel (A).
Fit the Center Rail Bracket to the Headboard / Footboard Panel (A).



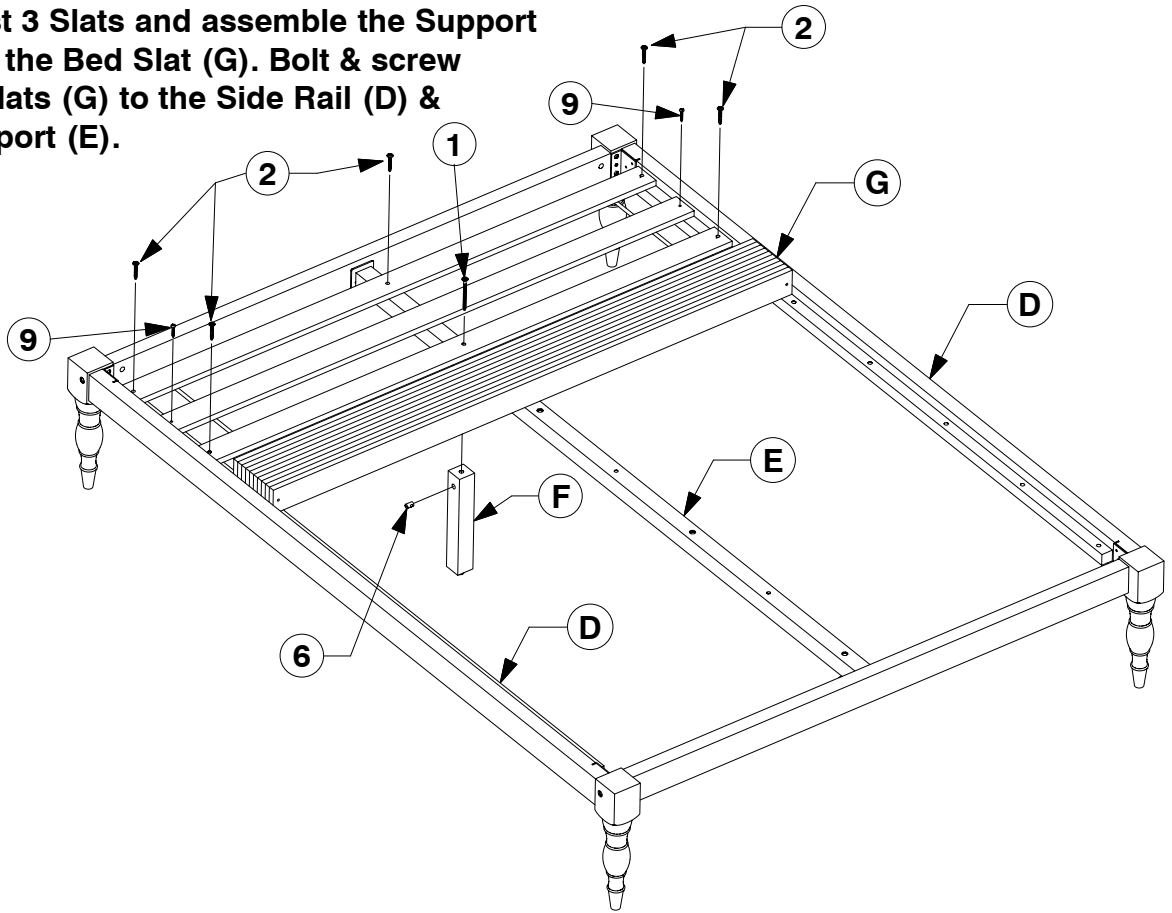
6 Assemble the Side Rail (D) to the assembled Headboard / Footboard Panel (A).



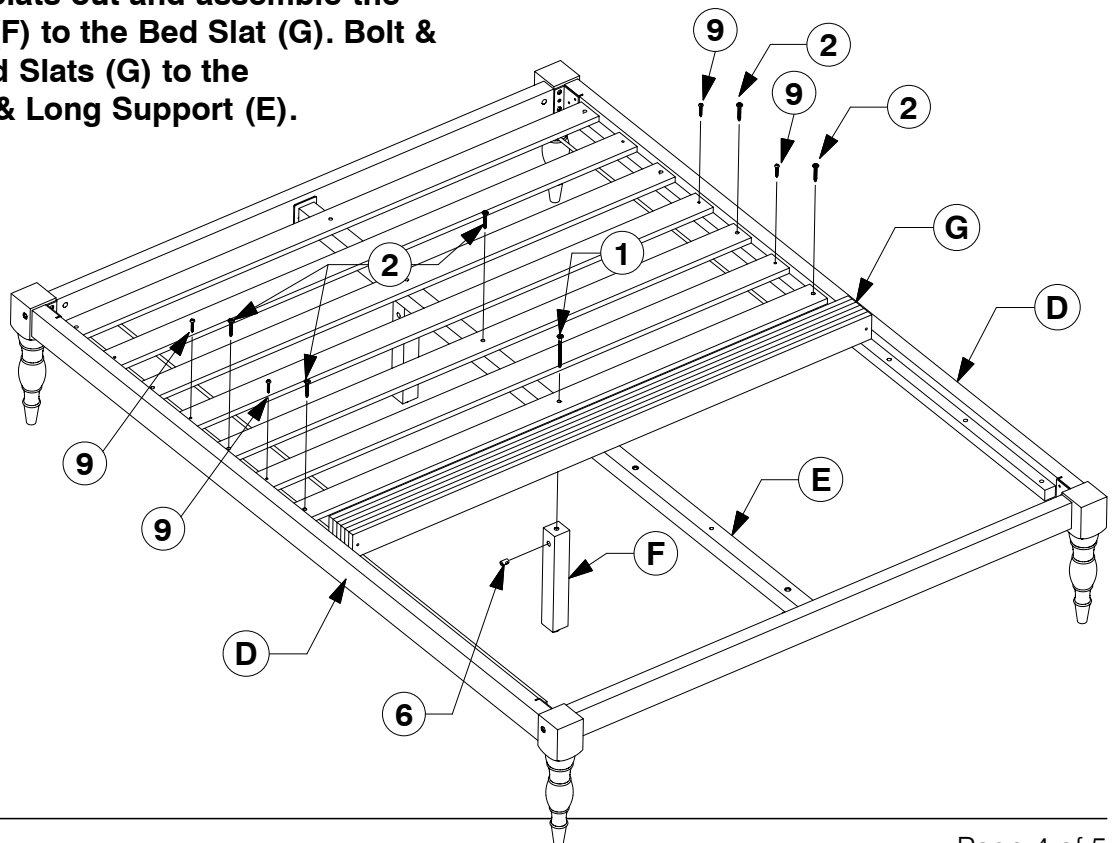
7 Bolt the Long Support (E) to the Center Rail Brackets (10) on the Headboard / Footboard Panel (A).



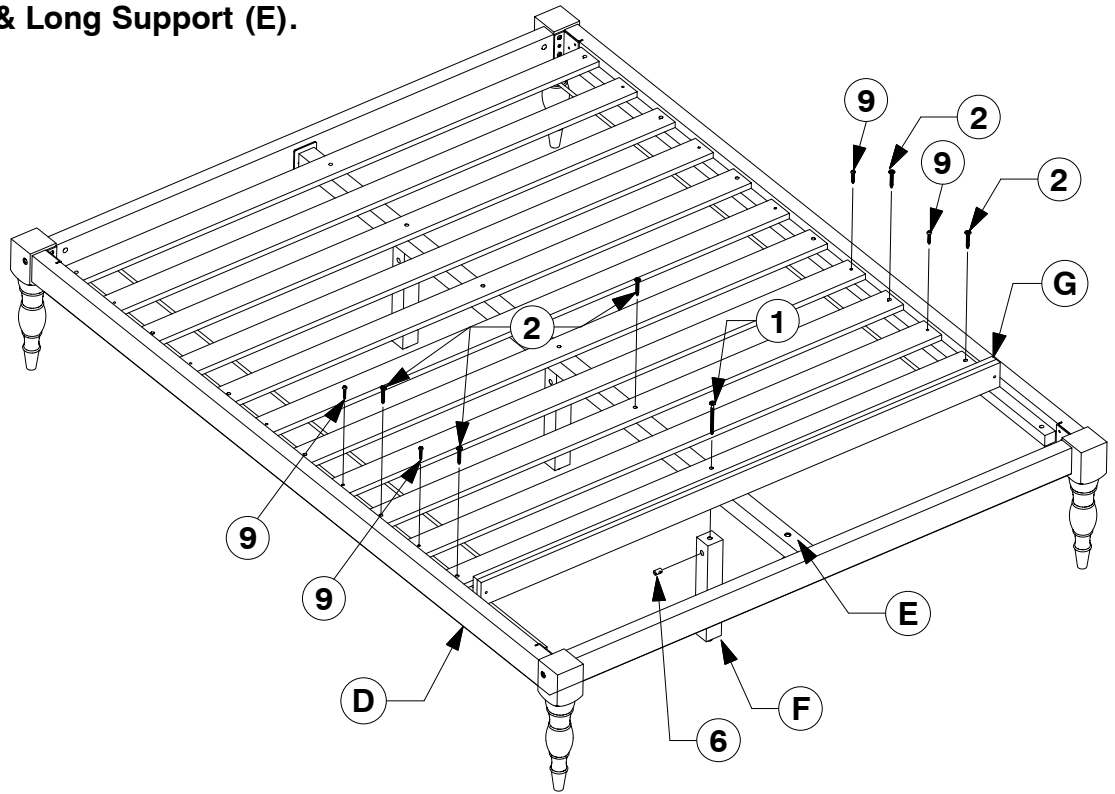
- 8** Fit the first 3 Slats and assemble the Support Leg (F) to the Bed Slat (G). Bolt & screw the Bed Slats (G) to the Side Rail (D) & Long Support (E).



- 9** Fit the other Slats out and assemble the Support Leg (F) to the Bed Slat (G). Bolt & screw the Bed Slats (G) to the Side Rail (D) & Long Support (E).



- 10** Fit the other Slats out and assemble the Support Leg (F) to the Bed Slat (G). Bolt & screw the Bed Slats (G) to the Side Rail (D) & Long Support (E).



- 11** Bolt & screw the remaining Bed Slats (G) to the Side Rail (D).

