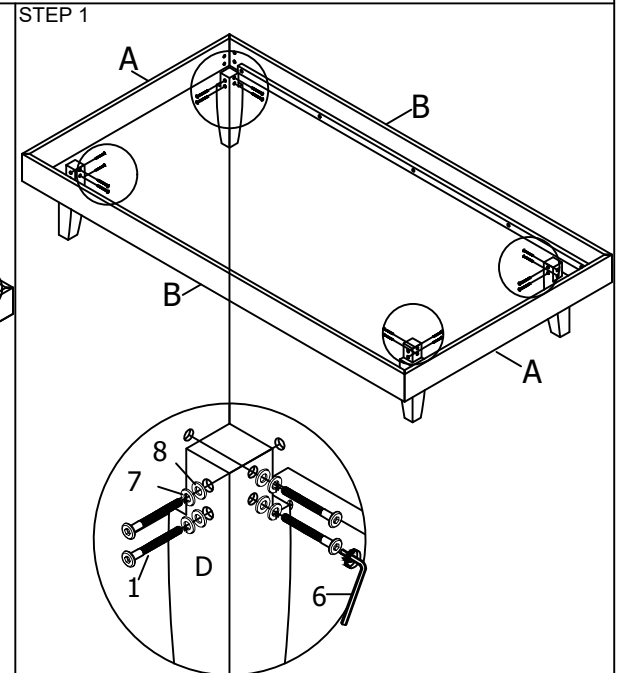
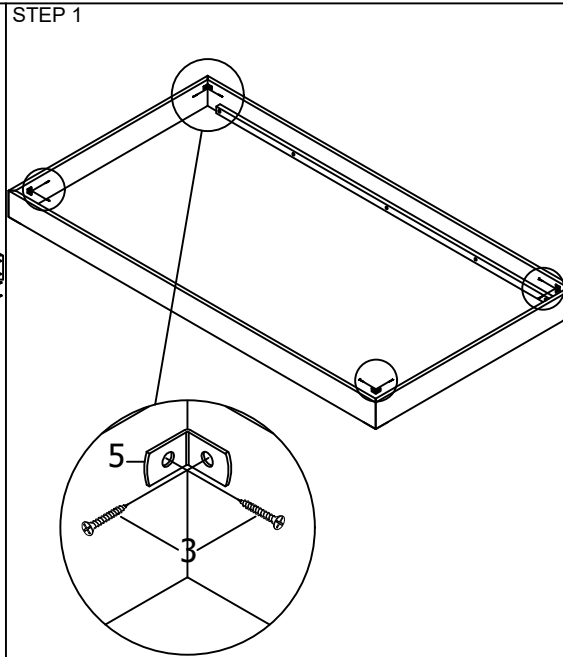
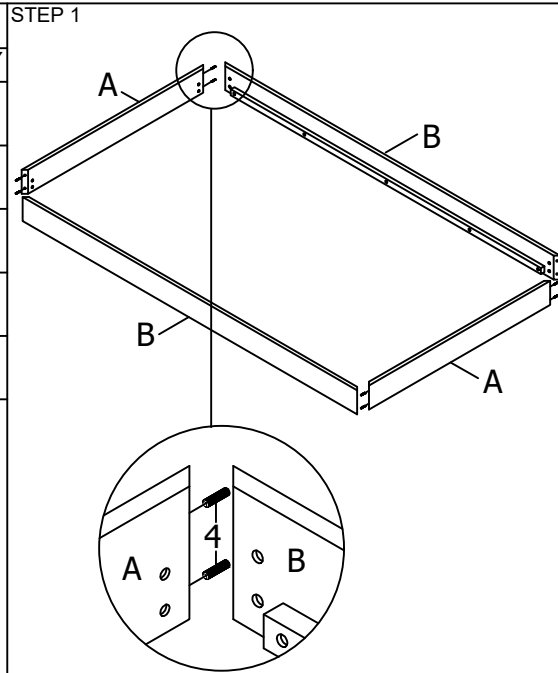


ASSEMBLY INSTRUCTION

NO	PART LIST	QTY
A	HEADBOARD & FOOTBOARD	2
B	SIDE RAIL (Left & Right)	1
C	BED POST (Left)	2
D	BED POST (Right)	2
E	SLAT	12



NO	HARDWARE LIST	QTY
1	JCBC M6 x 70mm	16
2	CSK M4 x 25mm	24
3	CSK M3.5 x 16mm	8
4	WOODEN DOWER M8 x 20mm	8
5	L BRACKET	4
6	ALLEN KEY M4	1
7	SPRING WASHER	16
8	FLAT WASHER	16

