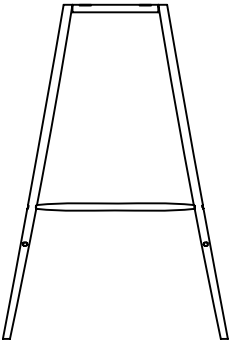
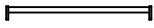
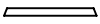



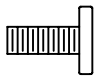



# ASSEMBLY INSTRUCTION

1. We suggest that you spend a short time reading through these instructions and follow the sample step by step example.
2. Do not discard any of the packaging until you have checked that you have all the parts and fittings.
3. Assemble this product on a flat surface.
4. Assemble all parts loosely before tightening any bolts

## PARTS LIST

1. -2 Pcs. 	2. - 2 Pcs.  3. - 1 Pc. 	4. - 1 Pc. 
---	---	---

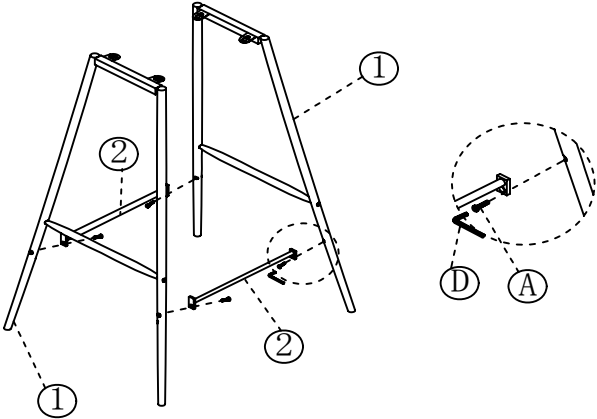
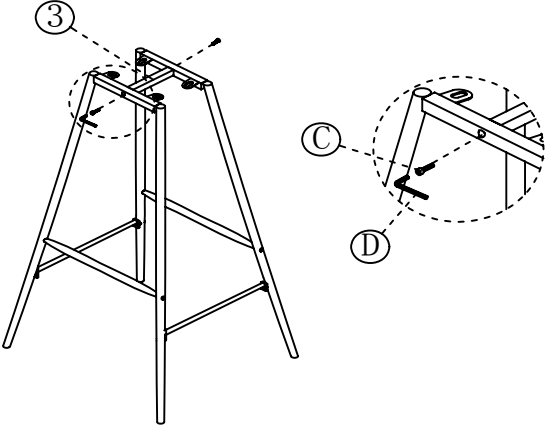
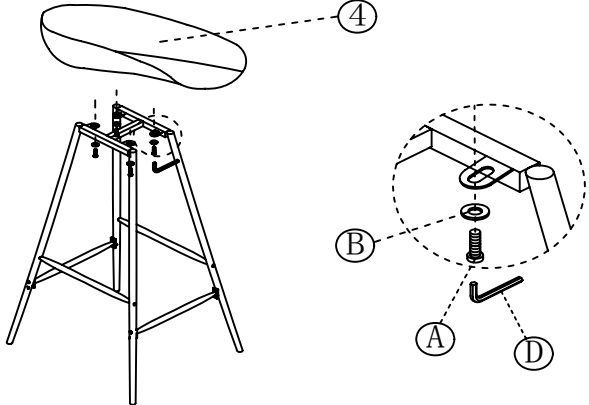
## FITTINGS

A. -8Pcs. 	B. -4Pcs. 	C. -2Pcs. 	D. -1Pc. 
---	--	--	--

STEP 1: Assemble parts list no.3 and no.2 on the chair frame

STEP 2 : Put the chair seat on the frame

STEP 3: Screw the seat onto the frame .

1 	2 
3 	4 