

ASSEMBLY INSTRUCTIONS

Read this instruction carefully. See hardware and furniture part list for guidance. Be sure all parts are complete, before you assemble. Place all wooden furniture parts on a clean and flat soft surface to prevent from being scratched. Follow the figure to start assembling.

CAUTIONS : 1. Do not FULLY - TIGHTEN the nut or nut bolt until all nut or bolt is ready assembled.
2. Do not OVER - TIGHTEN the nut or bolt to avoid causing damages to the thread.
3. Keep all hardware parts out of reach of children.

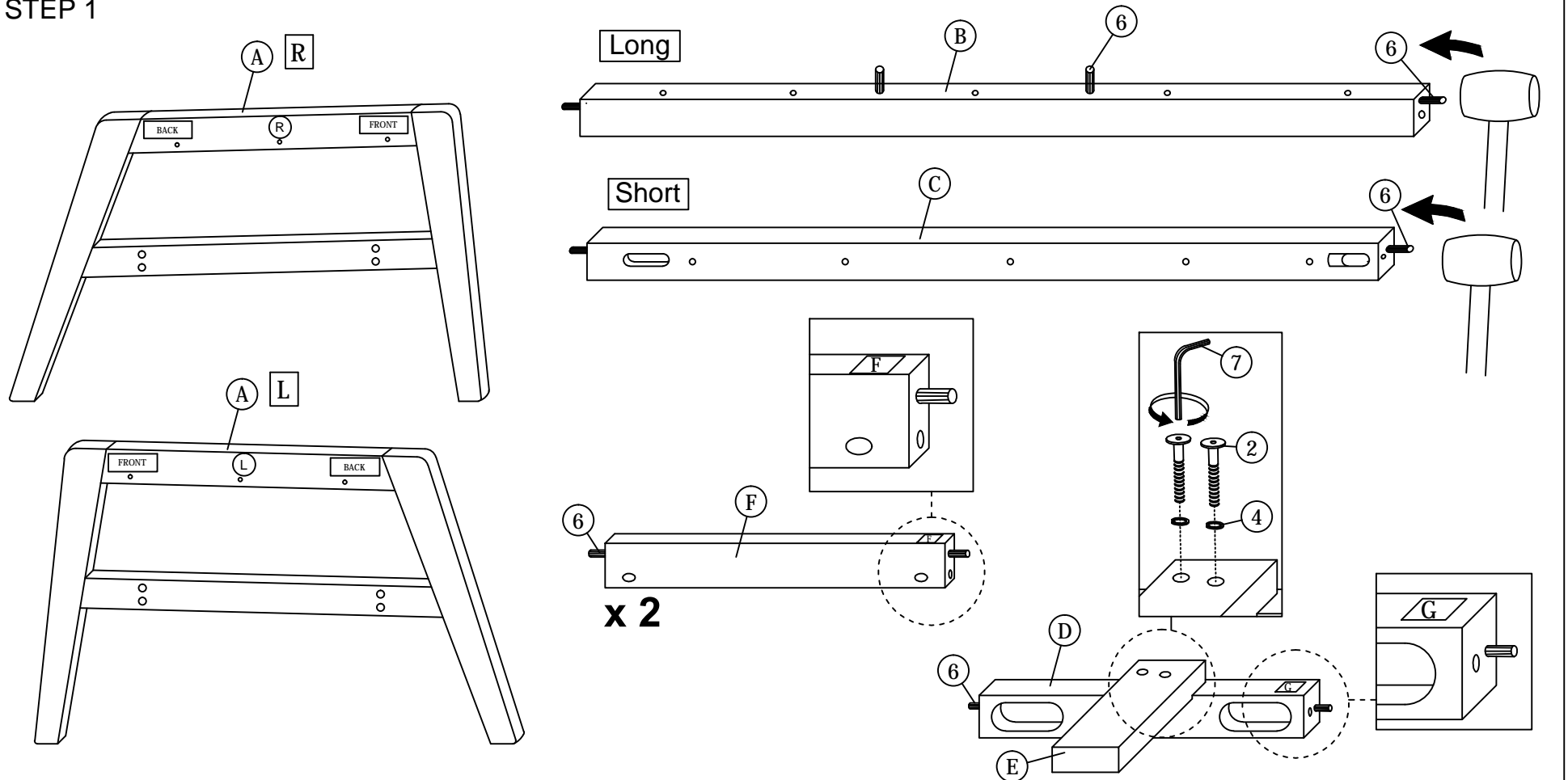
NOTE : THE LIST AND QUANTITY SHOWN ARE FOR 1 UNIT ASSEMBLY.

Tool needed : Screwdriver & RubberMallet (not provided).

| PART LIST | | |
|-----------|------------------|-------|
| ITEM | DESCRIPTION | QTY |
| A | ARM (L/R) | 2 PCS |
| B | FRONT STRETCHER | 1 PC |
| C | BACK STRETCHER | 1 PC |
| D | CENTER RAIL (II) | 1 PC |
| E | CENTER RAIL LEG | 1 PC |
| F | CENTER RAIL (I) | 2 PCS |
| G | CHAIR | 1 PC |
| H | CUSHION BACK | 1 PC |
| I | CUSHION SEAT | 3 PCS |

| HARDWARE LIST | | |
|---------------|---------------------------|--------|
| ITEM | DESCRIPTION | QTY |
| 1 | JCBB Bolt M8 x 50mm | 4 PCS |
| 2 | JCBC Bolt M6 x 50mm | 4 PCS |
| 3 | WOOD SCREW M4 x38mm | 20 PCS |
| 4 | M6 SPRING WASHER | 4 PCS |
| 5 | M8 SPRING WASHER | 4 PCS |
| 6 | WOOD DOWEL M10 x 30mm | 12 PCS |
| 7 | M4 ALLEN KEY (BALL SHAPE) | 1 PC |
| 8 | M5 ALLEN KEY (BALL SHAPE) | 1 PC |

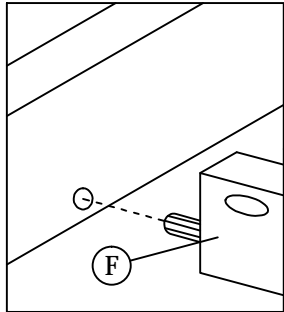
STEP 1



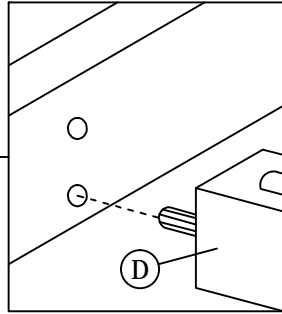
ASSEMBLY INSTRUCTIONS

STEP 2

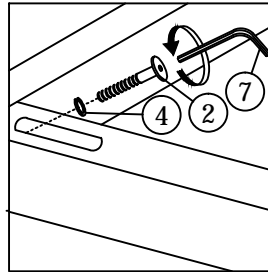
STEP 2.1



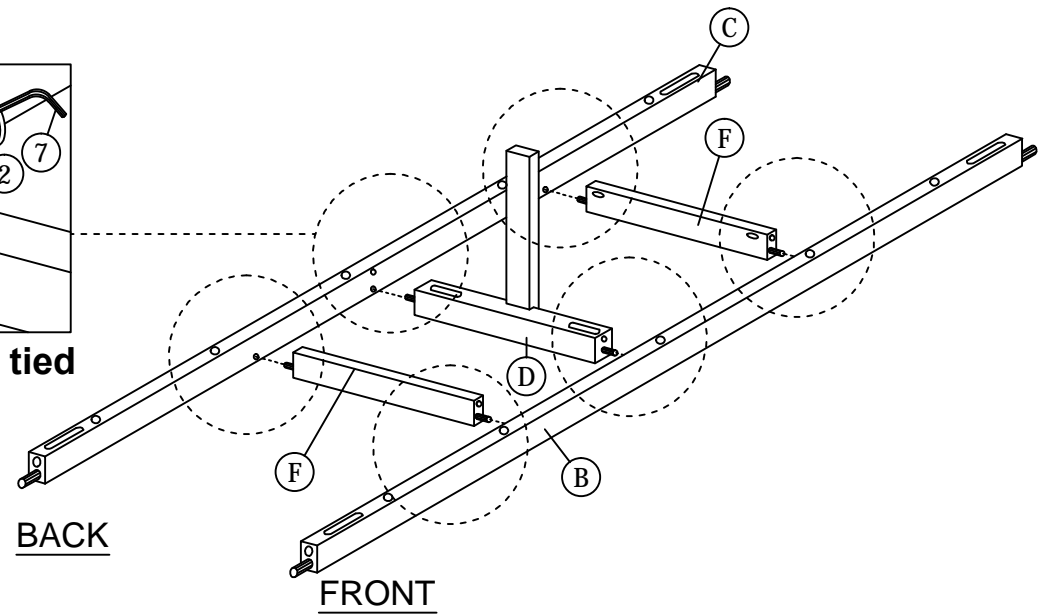
STEP 2.2



STEP 2.3

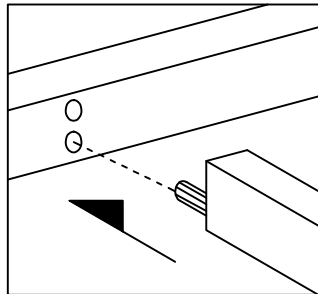


Don't screw tied

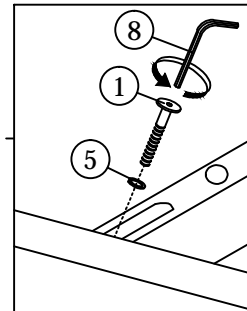


STEP 3

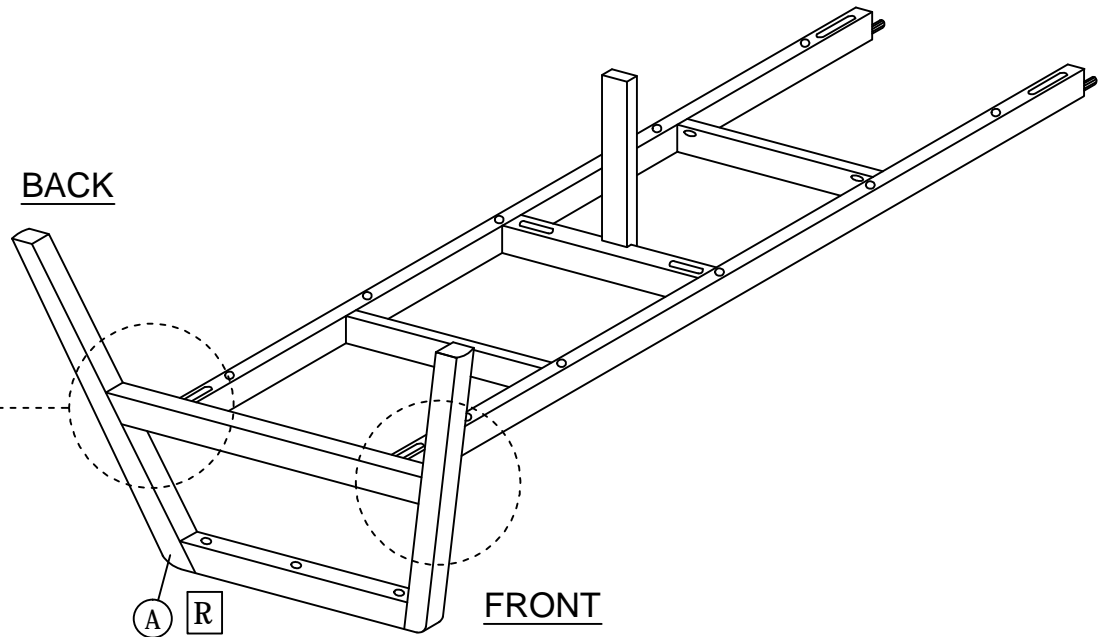
STEP 3.1



STEP 3.2



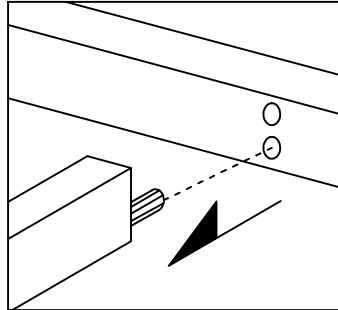
Don't screw tied



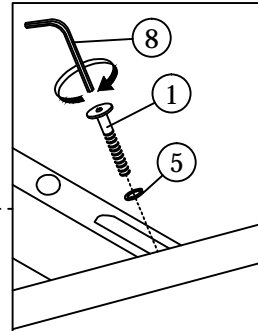
ASSEMBLY INSTRUCTIONS

STEP 4

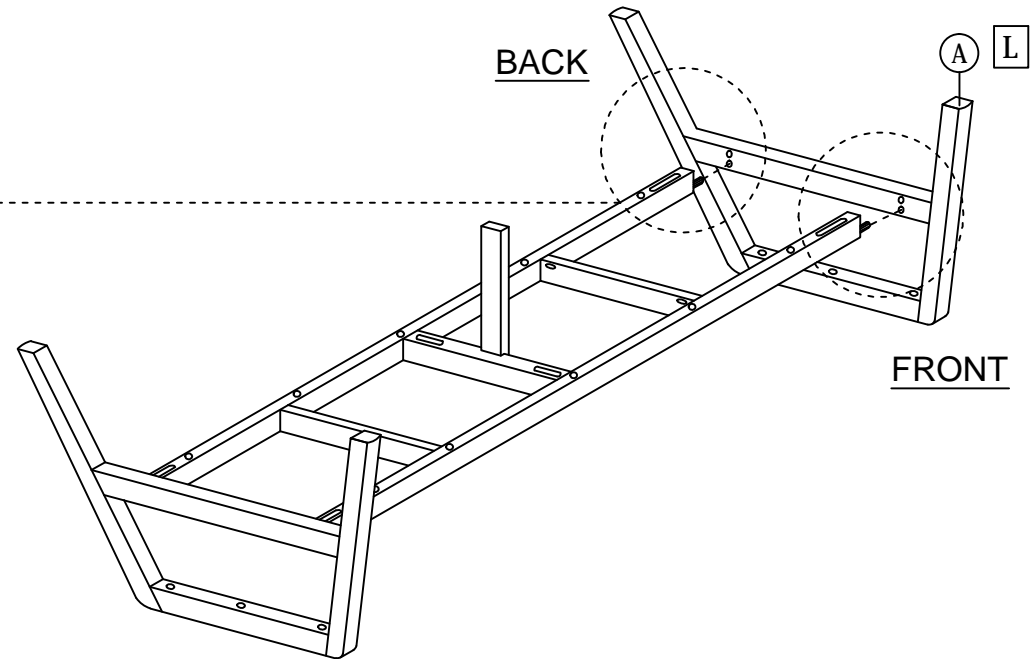
STEP 4.1



STEP 4.2

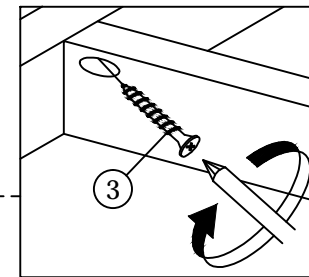
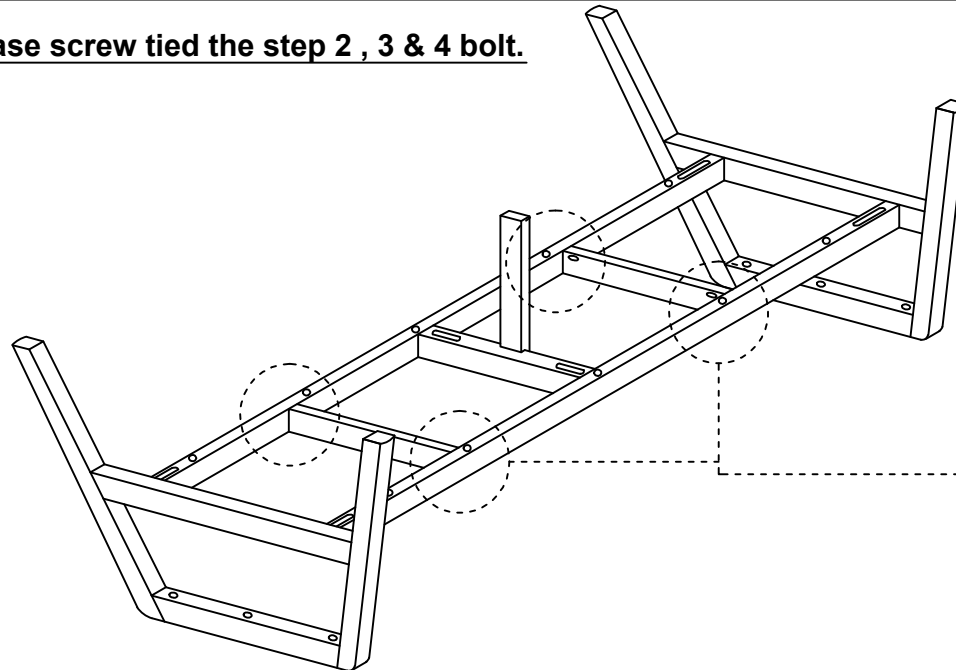


Don't screw tied



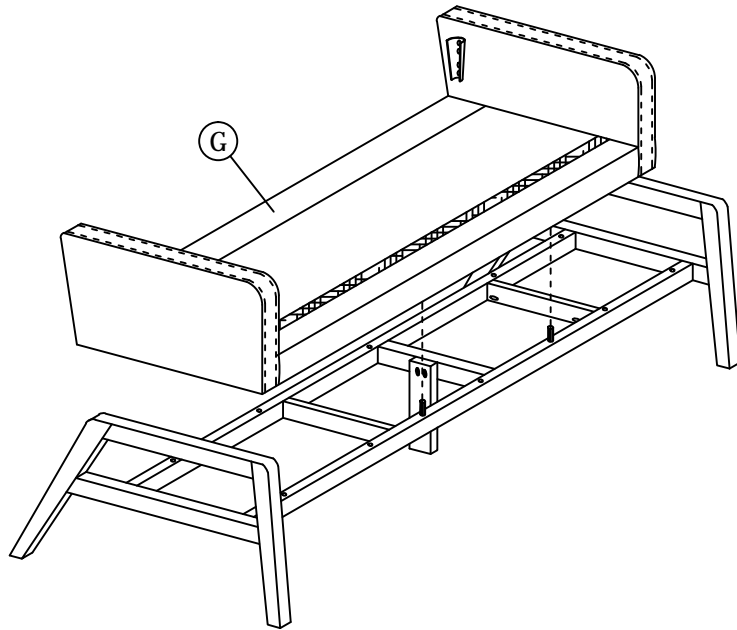
STEP 5

****Finish step 5, Please screw tied the step 2 , 3 & 4 bolt.**

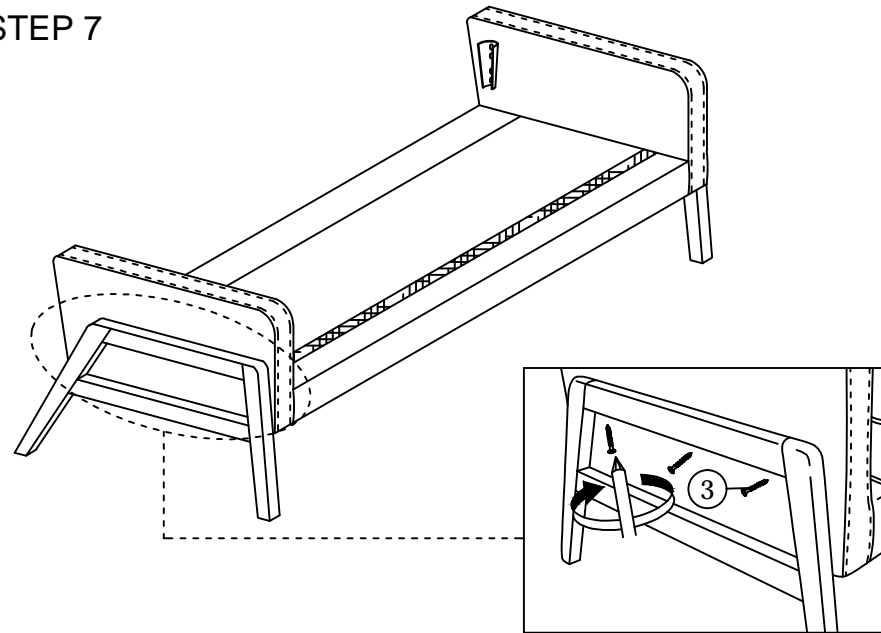


ASSEMBLY INSTRUCTIONS

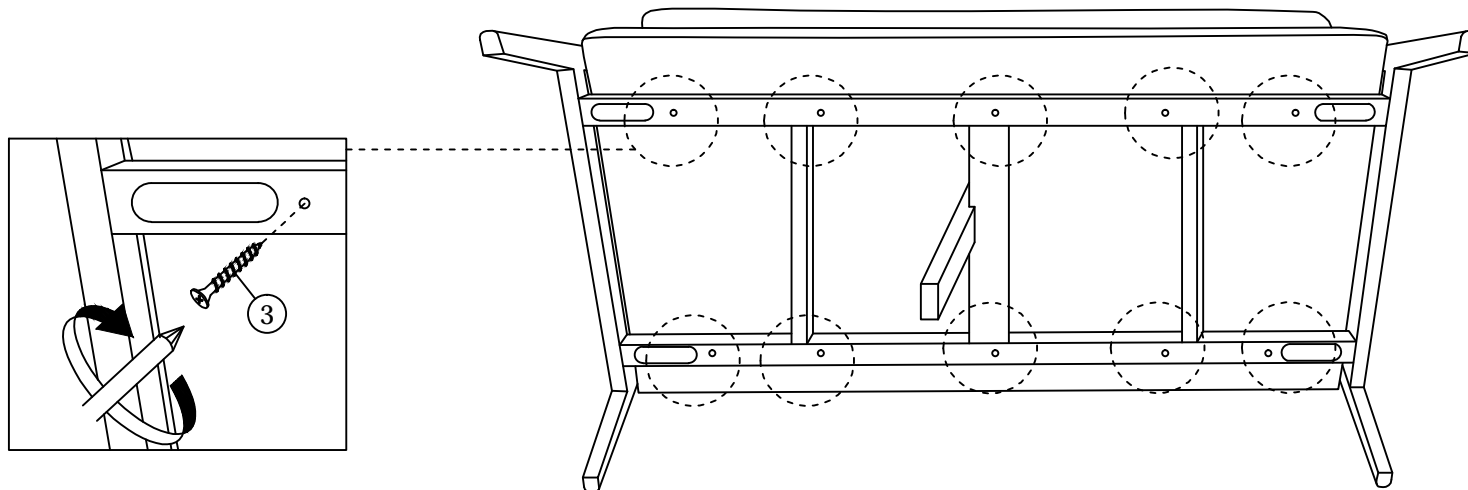
STEP 6



STEP 7

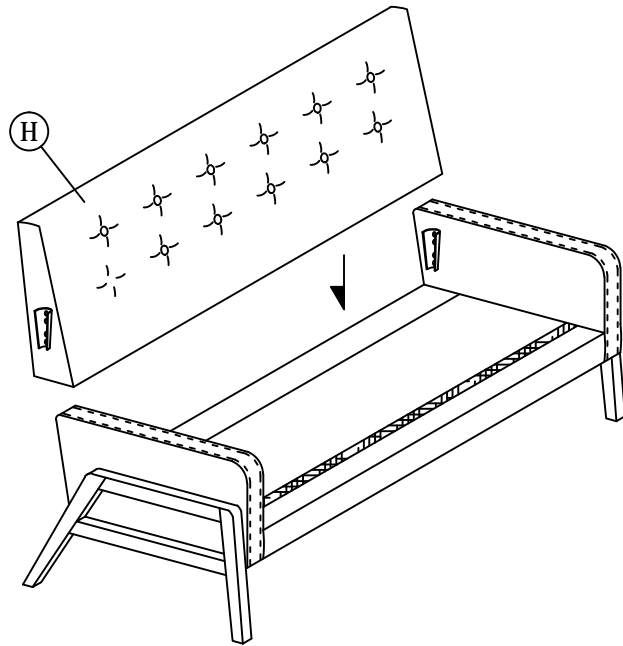


STEP 8

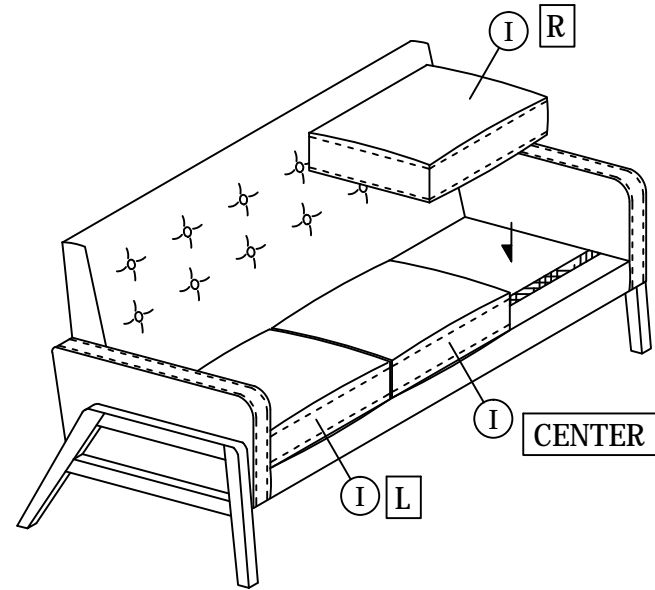


ASSEMBLY INSTRUCTIONS

STEP 9



STEP 10



STEP 11

