

ASSEMBLY INSTRUCTIONS

Read this instruction carefully. See hardware and furniture part list for guidance. Be sure all parts are complete, before you assemble. Place all wooden furniture parts on a clean and flat soft surface to prevent from being scratched. Follow the figure to start assembling.

- CAUTIONS :**
1. Do not FULLY - TIGHTEN the nut or nut bolt until all nut or bolt is ready assembled.
 2. Do not OVER - TIGHTEN the nut or bolt to avoid causing damages to the thread.
 3. Keep all hardware parts out of reach of children.
 4. Strictly no power drill to assemble. Use only the screwdrivers for installation to protect the wood frame.

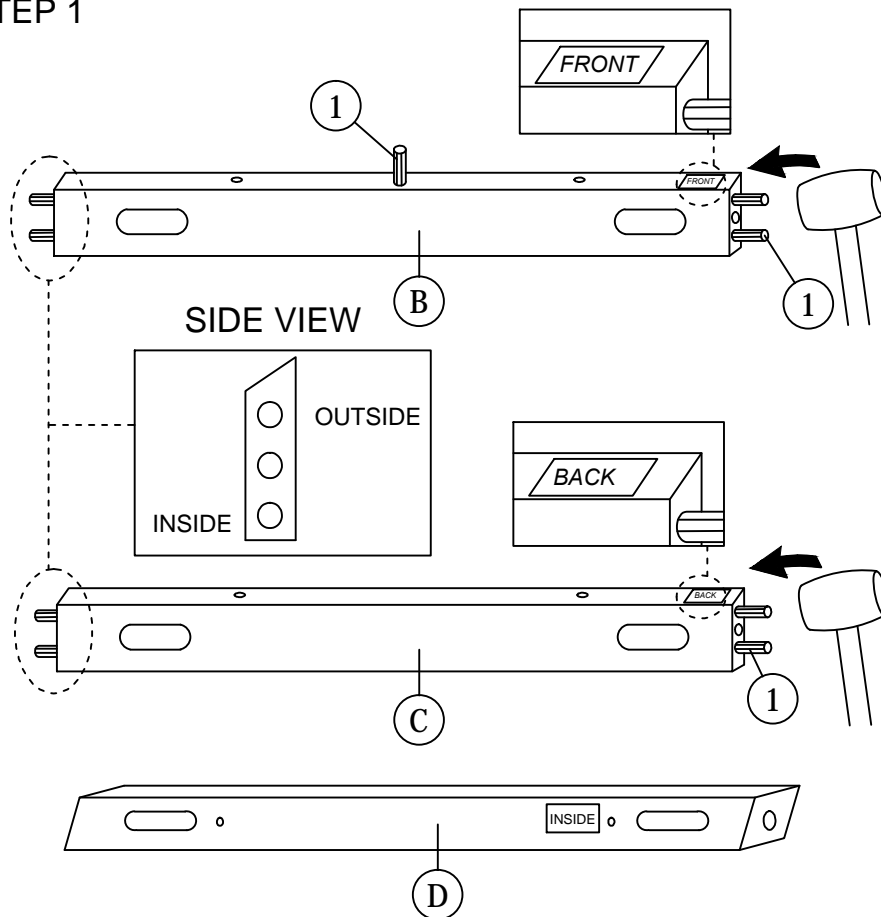
PART LIST		
ITEM	DESCRIPTION	QTY
A	ARM (L/R)	2 PCS
B	FRONT RAIL	1 PC
C	BACK RAIL	1 PC
D	BACK SUPPORT RAIL	1 PC
E	CUSHION BACK	1 PC
F	CUSHION SEAT	1 PC

HARDWARE LIST		
ITEM	DESCRIPTION	QTY
1	WOOD DOWEL M10 x 30mm	9 PCS
2	WOOD BUTTON DIA 13.5 x 9mm	2 PCS
3	JCBB BOLT M8 x 50mm	9 PCS
4	M8 FLAT WASHER	3 PCS
5	M8 SPRING WASHER	9 PCS
6	WOOD SCREW M4 x 38mm	6 PCS
7	M5 ALLEN KEY (BALL SHAPE)	1 PC

NOTE : 1. THE LIST AND QUANTITY SHOWN ARE FOR 1 UNIT ASSEMBLY

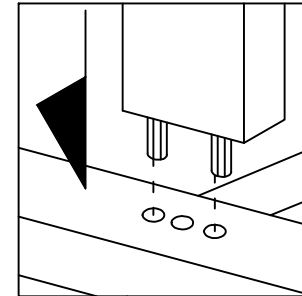
Tool needed : Screwdriver & Rubber Mallet (not provider).

STEP 1

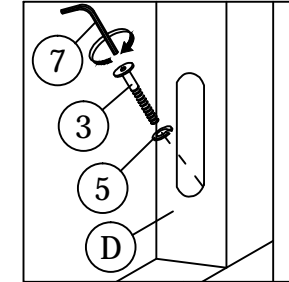


STEP 2

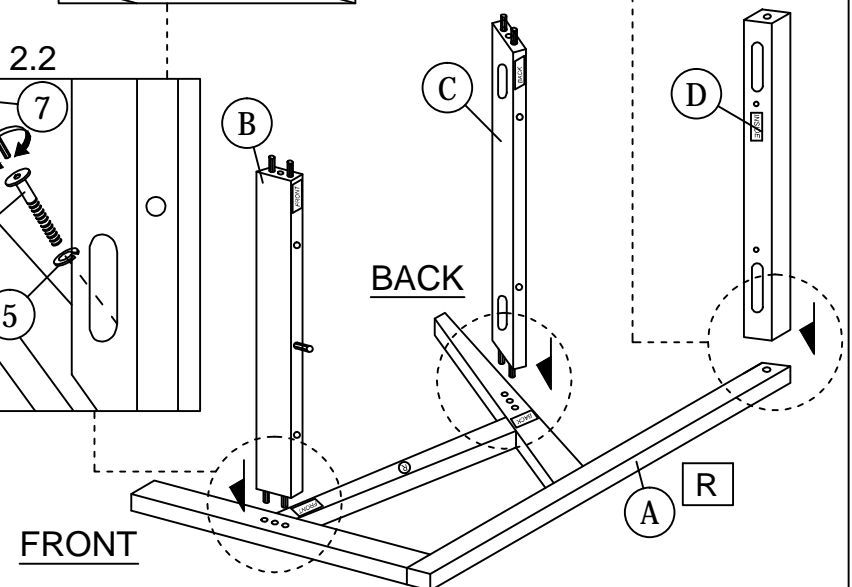
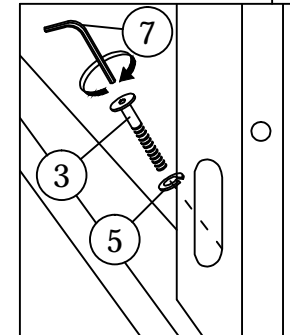
STEP 2.1



STEP 2.3

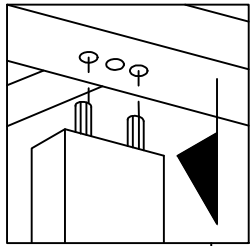


STEP 2.2

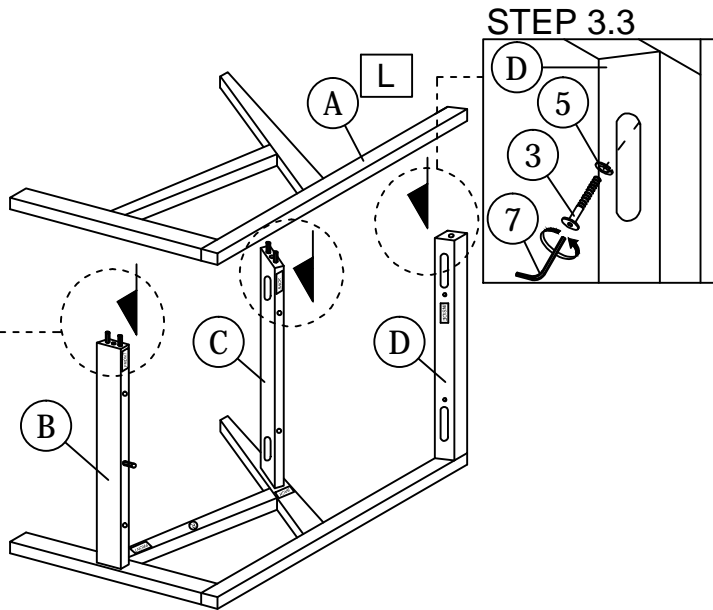
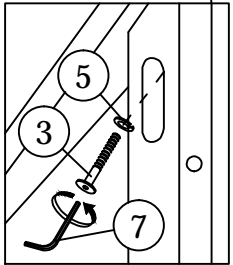


ASSEMBLY INSTRUCTIONS

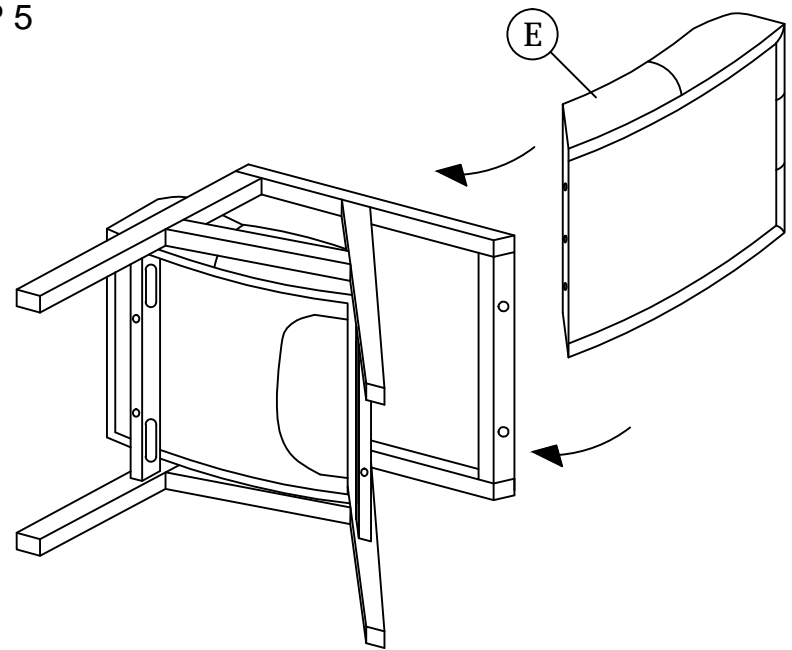
STEP 3 STEP 3.1



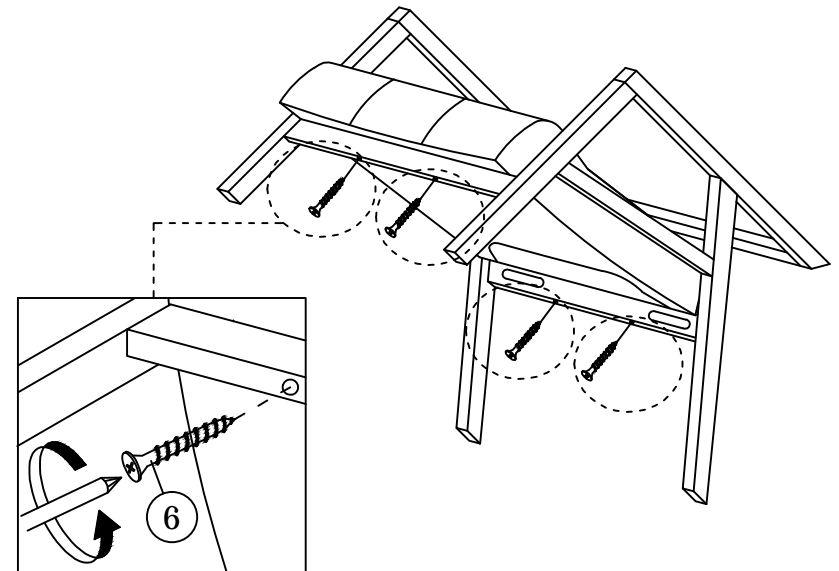
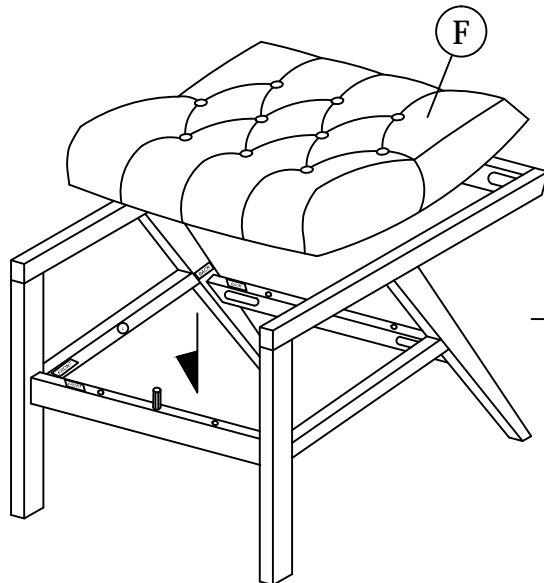
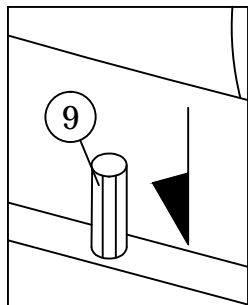
STEP 3.2



STEP 5

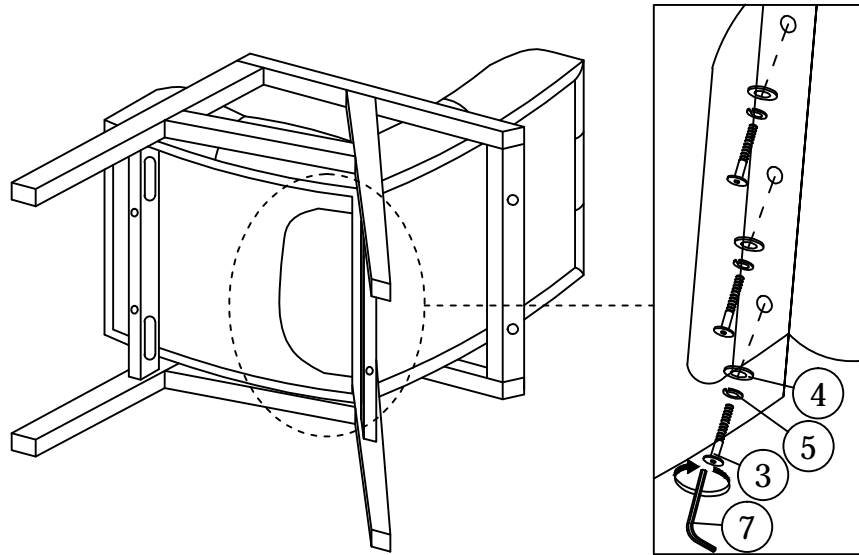


STEP 4

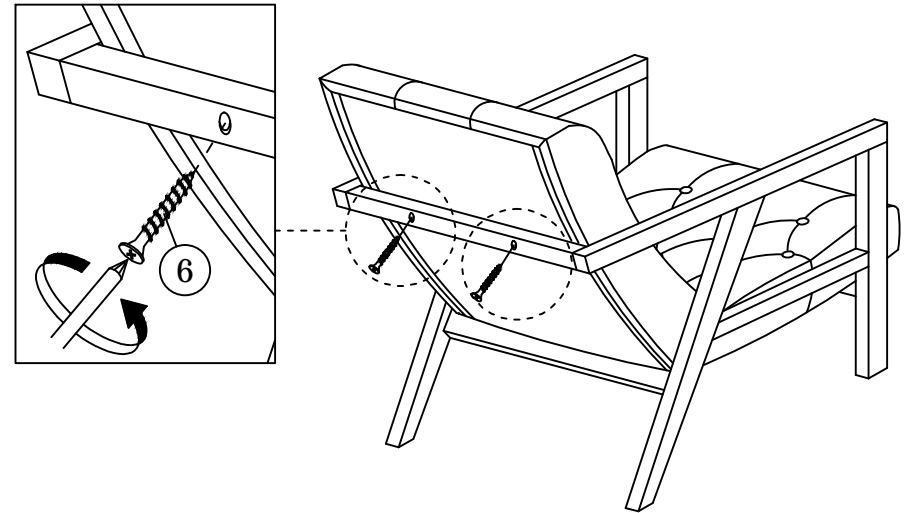


ASSEMBLY INSTRUCTIONS

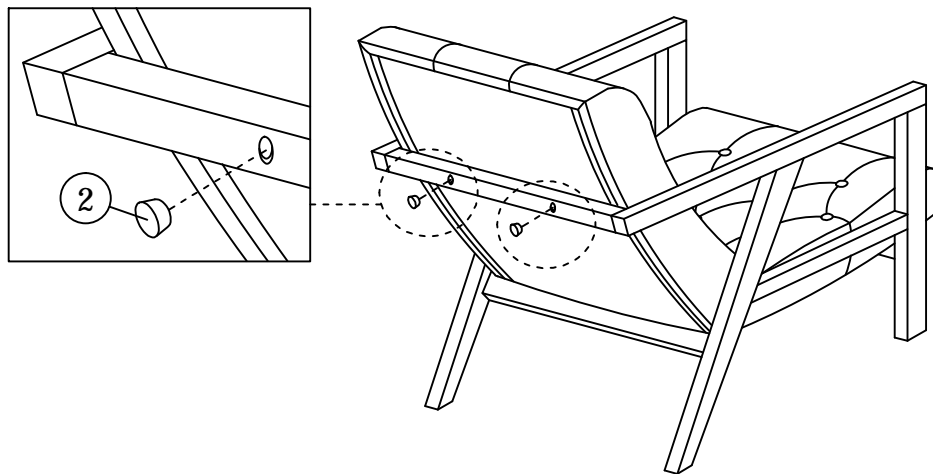
STEP 6



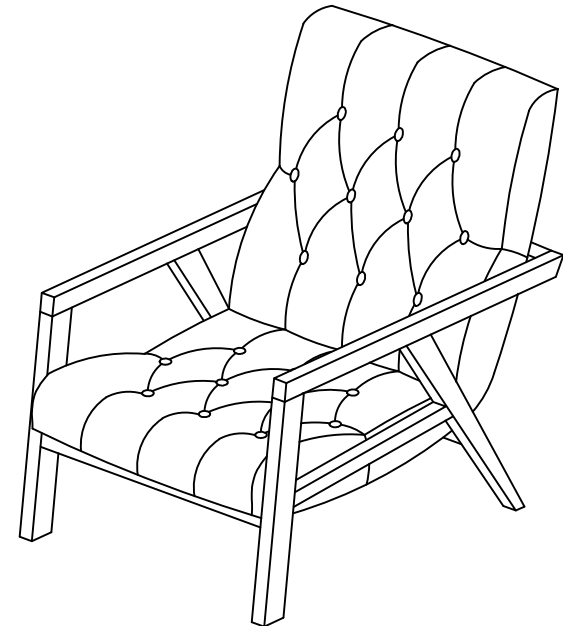
STEP 7



STEP 8



STEP 9



ASSEMBLY INSTRUCTIONS

Read this instruction carefully. See hardware and furniture part list for guidance. Be sure all parts are complete, before you assemble. Place all wooden furniture parts on a clean and flat soft surface to prevent from being scratched. Follow the figure to start assembling.

CAUTIONS :

1. Do not FULLY - TIGHTEN the nut or nut bolt until all nut or bolt is ready assembled.
2. Do not OVER - TIGHTEN the nut or bolt to avoid causing damages to the thread.
3. Keep all hardware parts out of reach of children.
4. Strictly no power drill to assemble. Use only the screwdrivers for installation to protect the wood frame.

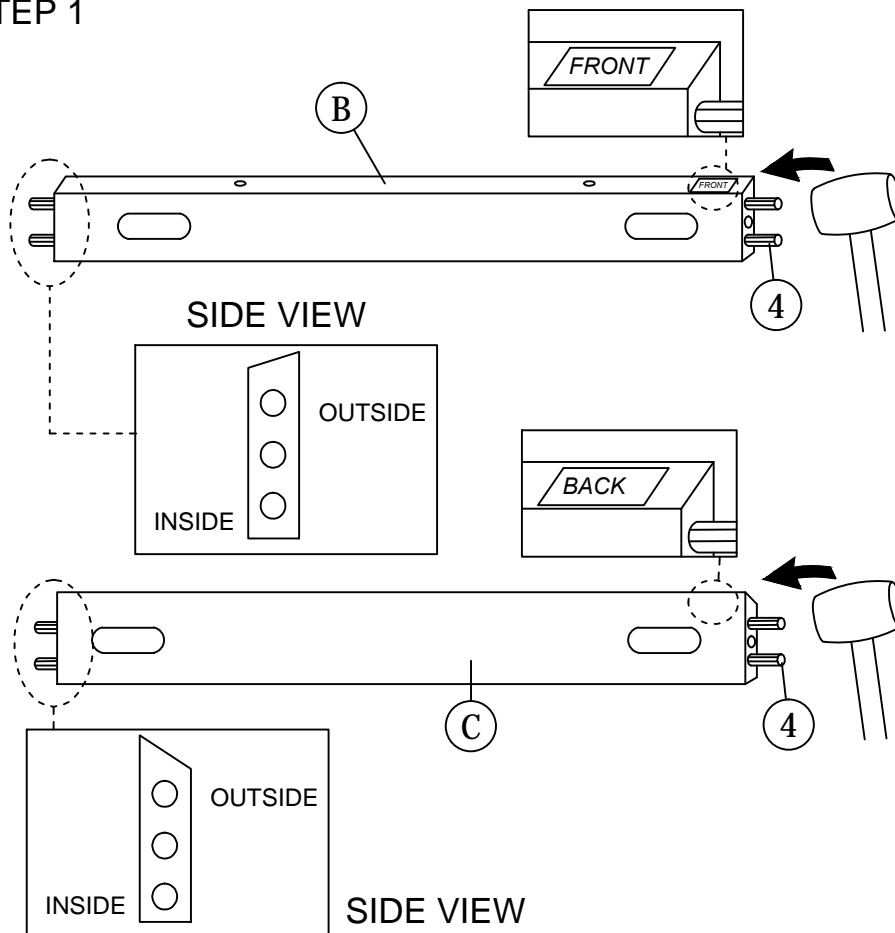
PART LIST		
ITEM	DESCRIPTION	QTY
A	ARM (L/R)	2 PCS
B	FRONT RAIL	1 PC
C	BACK RAIL	1 PC
D	CUSHION SEAT	1 PC

HARDWARE LIST		
ITEM	DESCRIPTION	QTY
1	JCBB BOLT M8 x 50mm	4 PCS
2	M8 SPRING WASHER	4 PCS
3	WOOD SCREW M4 x 38mm	4 PCS
4	WOOD DOWEL M10 x 30mm	8 PCS
5	M5 ALLEN KEY (BALL SHAPE)	1 PCS

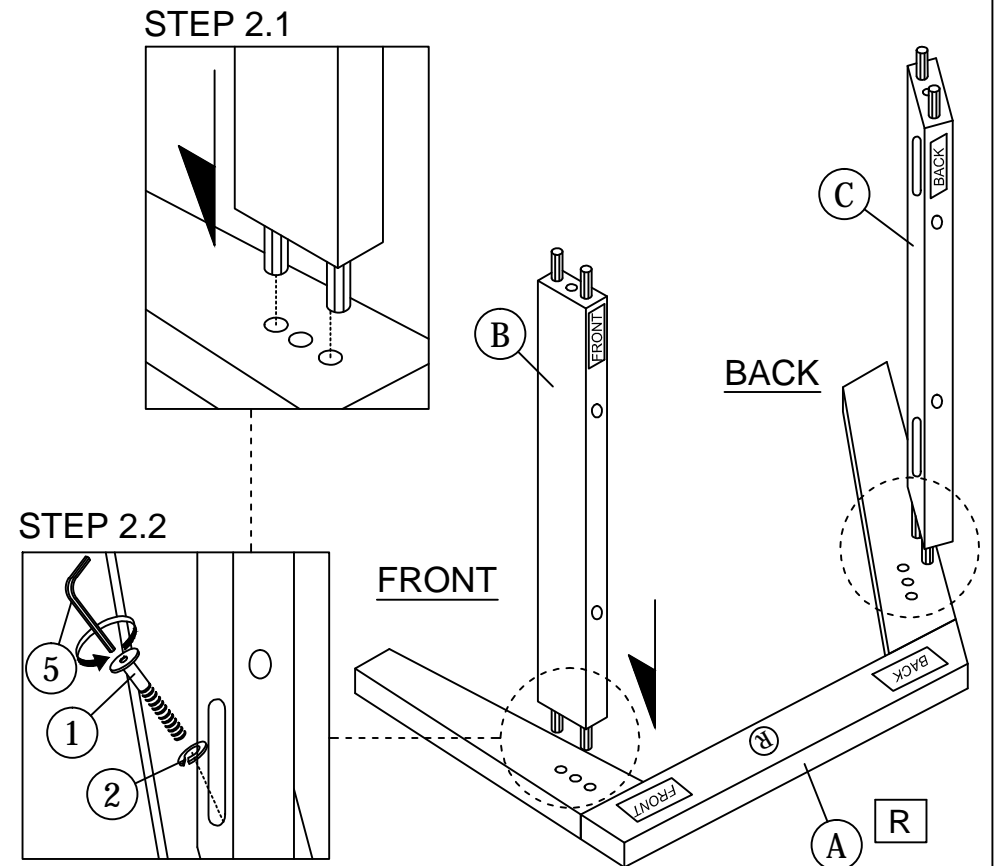
NOTE : 1. THE LIST AND QUANTITY SHOWN ARE FOR 1 UNIT ASSEMBLY

Tool needed : Screwdriver & Rubber Mallet (not provider).

STEP 1



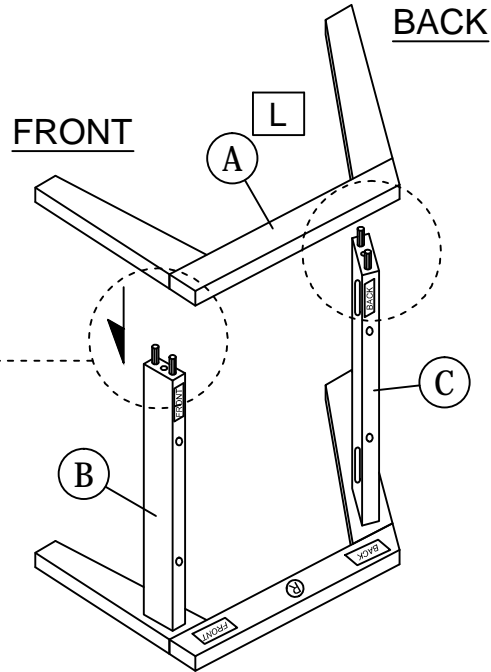
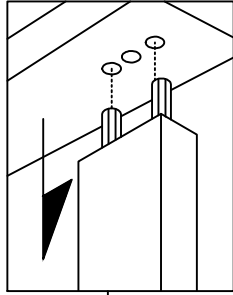
STEP 2



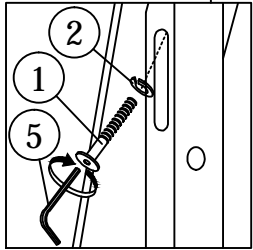
ASSEMBLY INSTRUCTIONS

STEP 3

STEP 3.1

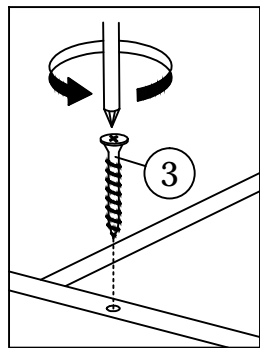


STEP 3.2

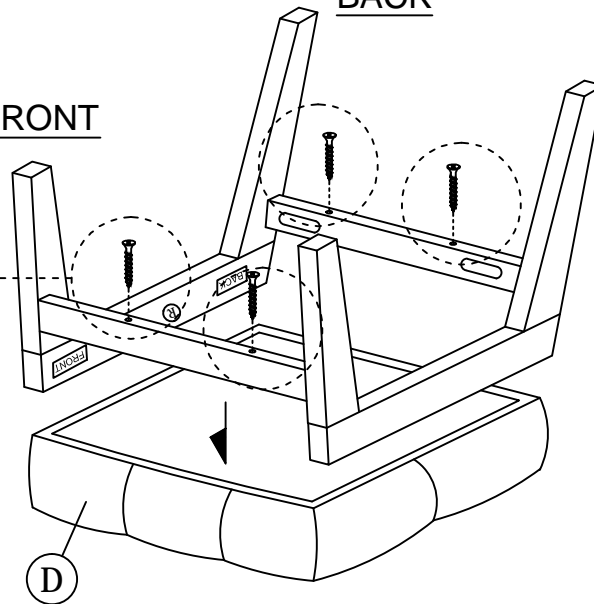


STEP 4

BACK



FRONT



STEP 5

