

ASSEMBLY INSTRUCTIONS

Read this instruction carefully. See hardware and furniture part list for guidance. Be sure all parts are complete, before you assemble. Place all wooden furniture parts on a clean and flat soft surface to prevent from being scratched. Follow the figure to start assembling.

| PART LIST | | |
|-----------|-------------|-------|
| ITEM | DESCRIPTION | QTY |
| A | STORAGE BOX | 1 PC |
| B | LEGS | 4 PCS |

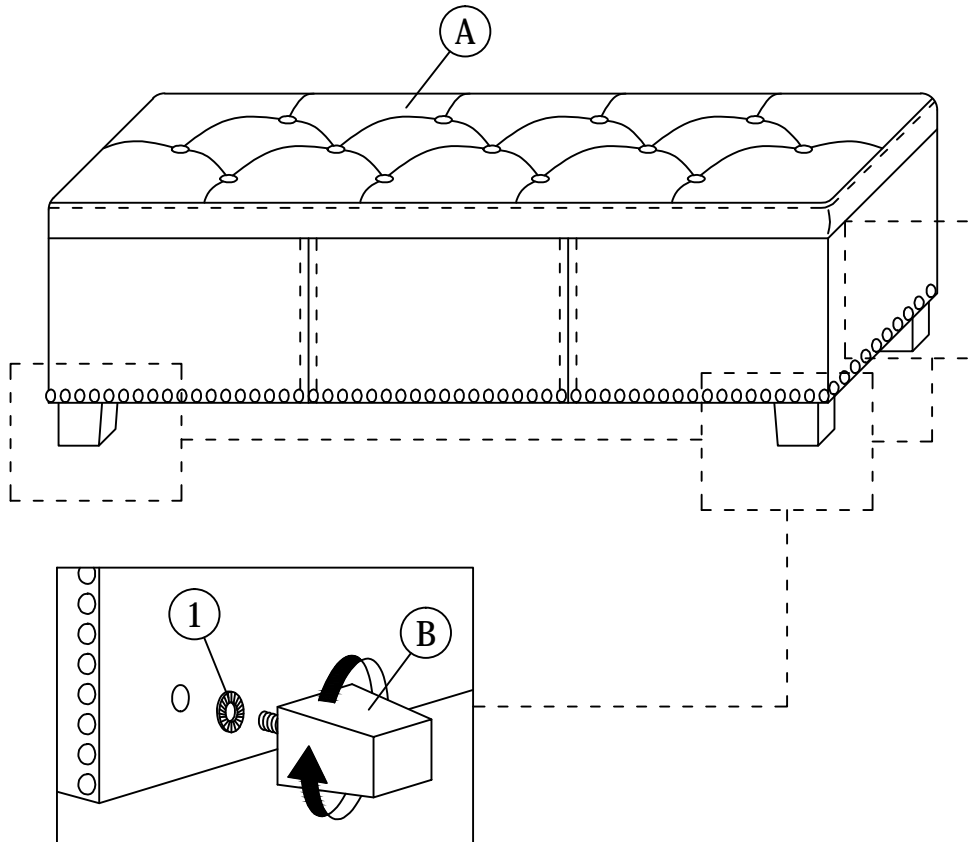
| HARDWARE LIST | | |
|---------------|------------------|-------|
| ITEM | DESCRIPTION | QTY |
| 1 | PVC BLACK WASHER | 4 PCS |

CAUTIONS :

1. Do not FULLY - TIGHTEN the nut or nut bolt until all nut or bolt is ready assembled.
2. Do not OVER - TIGHTEN the nut or bolt to avoid causing damages to the thread.
3. Keep all hardware parts out of reach of children.

NOTE : THE LIST AND QUANTITY SHOWN ARE FOR 1 UNIT ASSEMBLY.

STEP 1



STEP 2

