

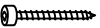







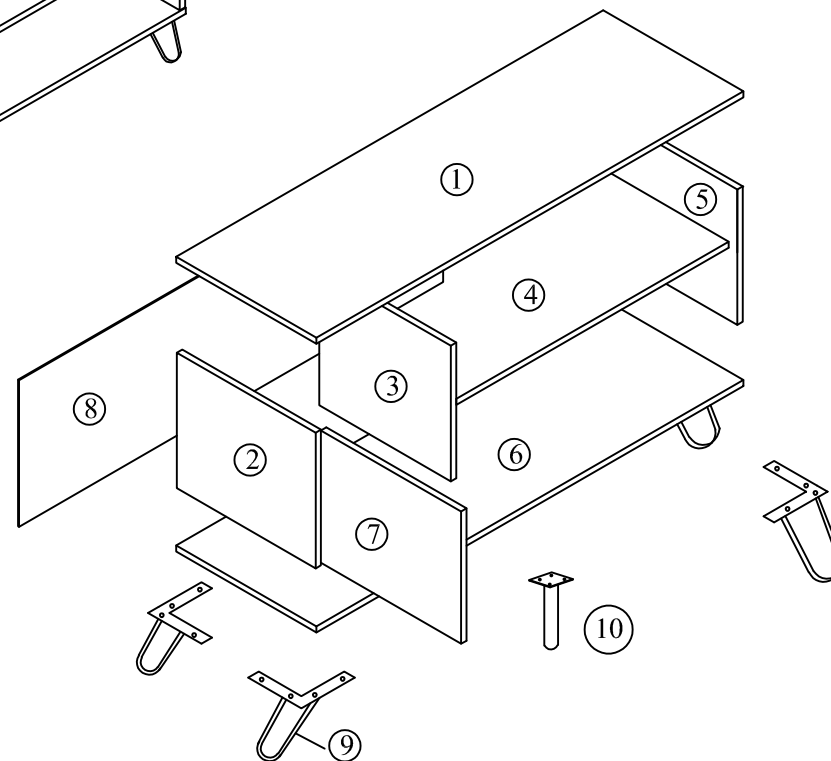
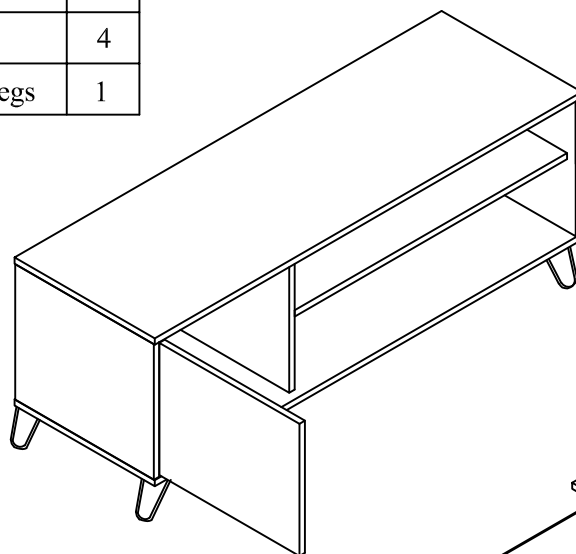


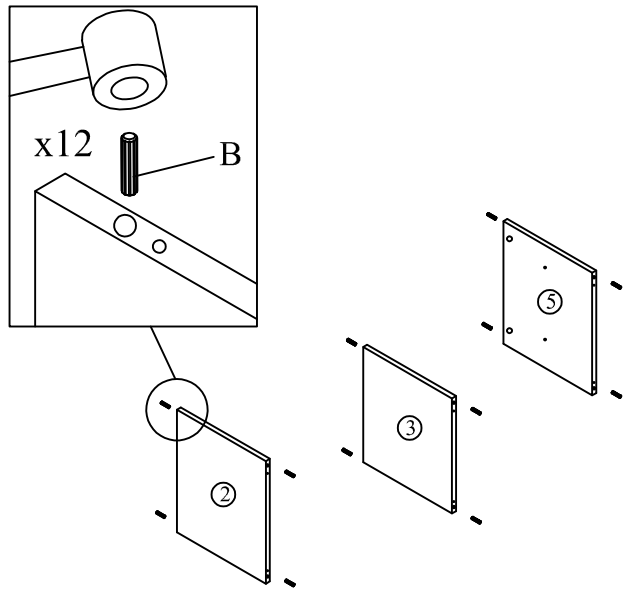
Assembly Instructions

Part List		QTY	Part List		QTY
1	Top Panel	1	7	Door Panel	1
2	Left Side Panel	1	8	Back Panel	1
3	Middle Panel	1	9	Legs	4
4	Center Middle Panel	1	10	Center Support Legs	1
5	Right Side Panel	1			
6	Bottom Panel	1			

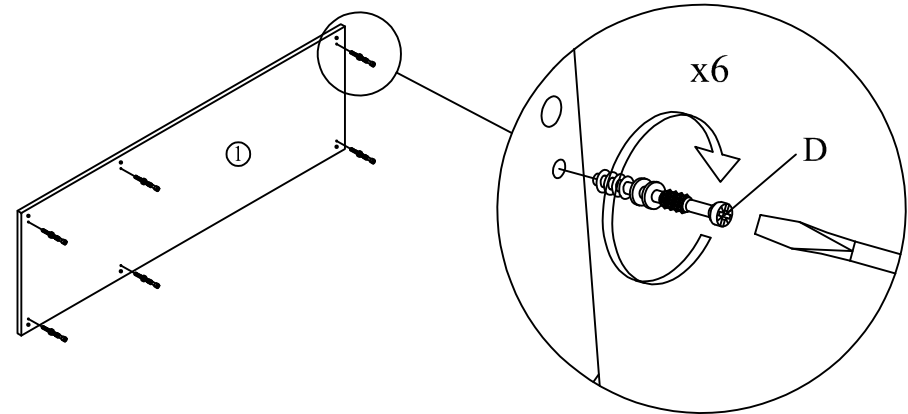
Hardware		QTY
A	Allen Key M4 	1
B	Wood Dowel 	12
C	JCBC W Screw M6x40 	6
D	Mini Fix Bolt 	6
E	Mini Fix Housing 	6
F	Mini Fix Cap 	6
G	CSK Screw M3.5x16mm 	32
H	Power Nail 5/8 	36
I	Shelf Support Metal 	4
J	7/8 Hinge 	2



Step 1



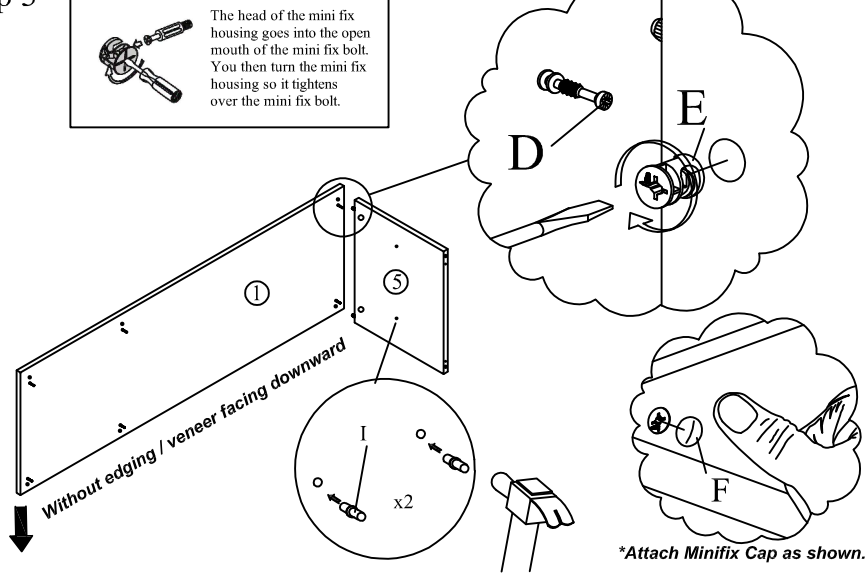
Step 2



Step 3

This is how a mini fix works...
The head of the mini fix housing goes into the open mouth of the mini fix bolt. You then turn the mini fix housing so it tightens over the mini fix bolt.

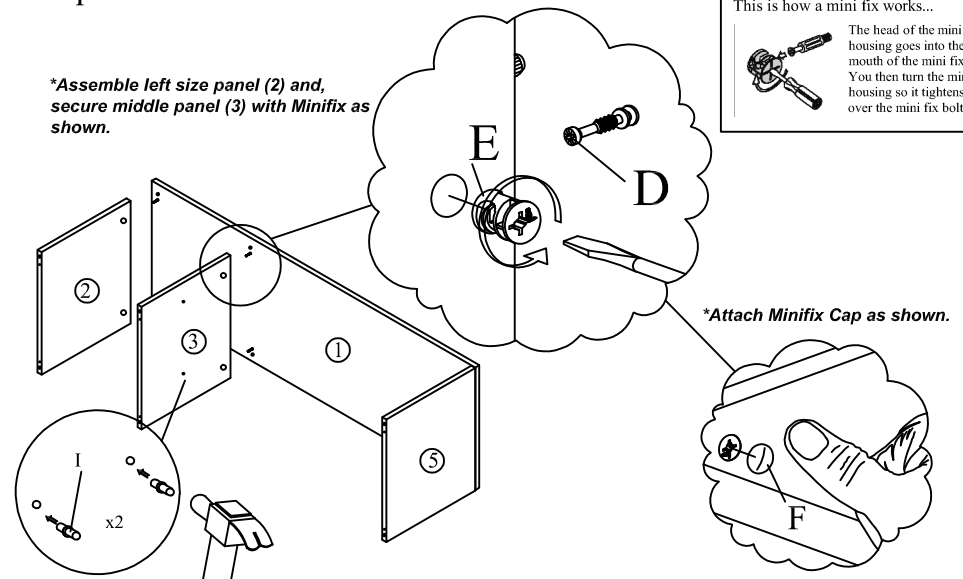
**Assemble right size panel (5), secure with Minifix as shown.*



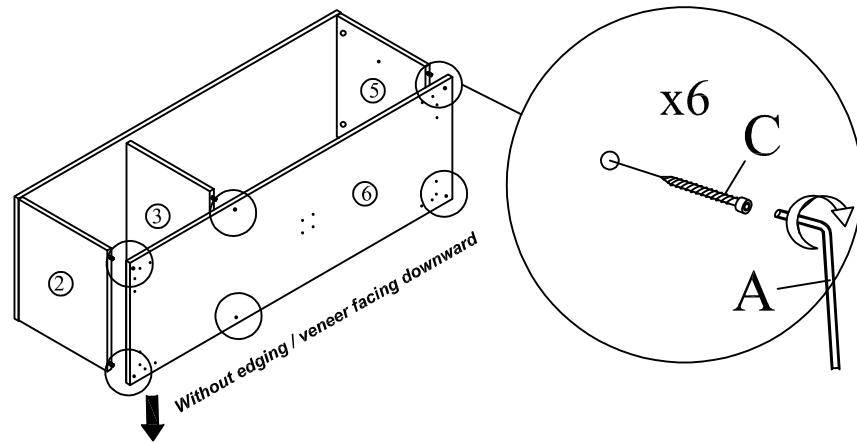
Step 4

This is how a mini fix works...
The head of the mini fix housing goes into the open mouth of the mini fix bolt. You then turn the mini fix housing so it tightens over the mini fix bolt.

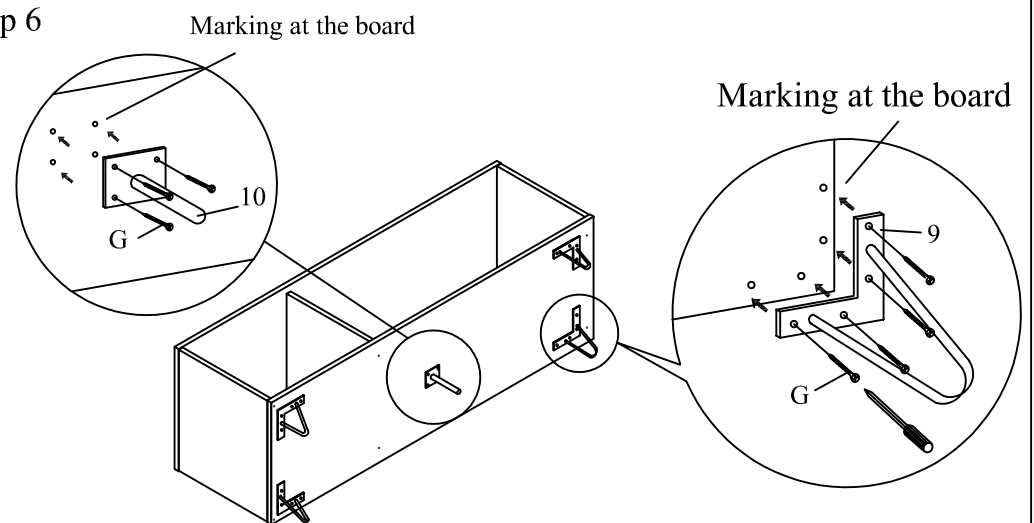
**Assemble left size panel (2) and, secure middle panel (3) with Minifix as shown.*



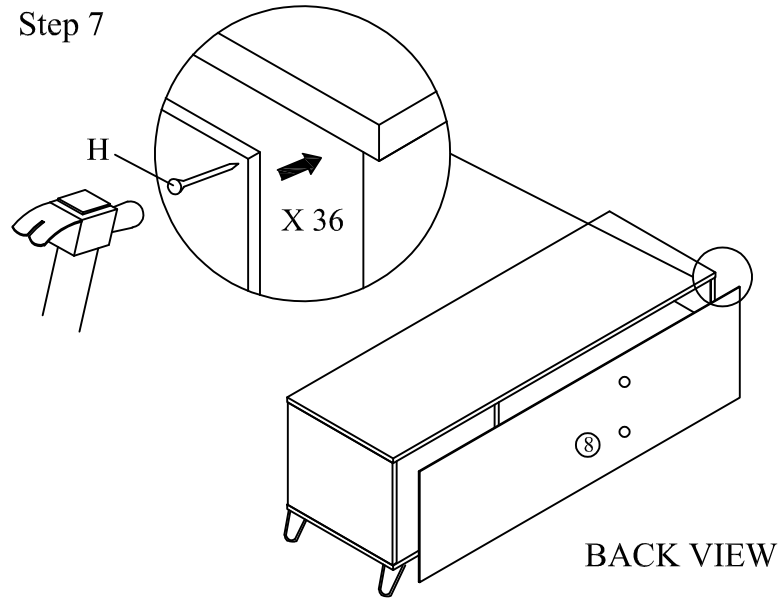
Step 5



Step 6



Step 7



Step 8

