

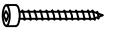



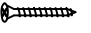
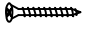
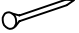

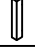



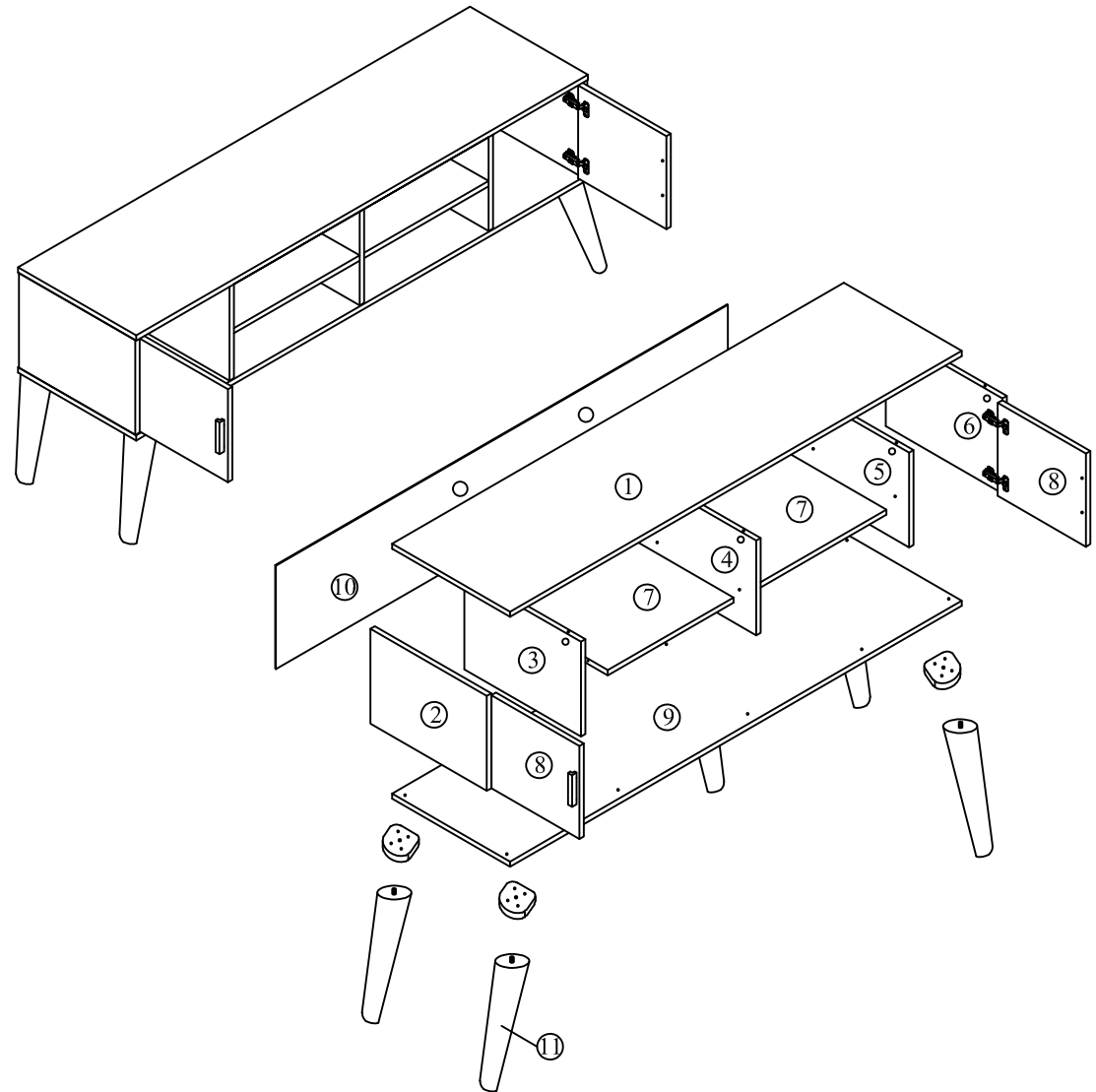


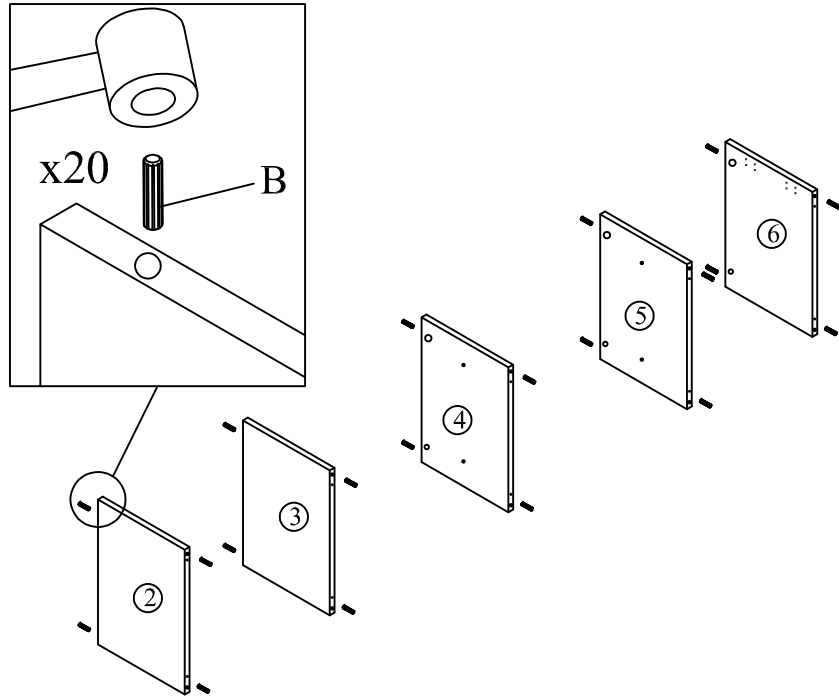
Assembly Instructions

Part List	QTY	Part List	QTY
1 Top Panel	1	7 Middle Support Panel	2
2 Left Side Panel	1	8 Door Panel	2
3 Left Middle Panel	1	9 Bottom Panel	1
4 Center Middle Panel	1	10 Back Panel	1
5 Right Middle Panel	1	11 Legs	5
6 Right Panel	1		

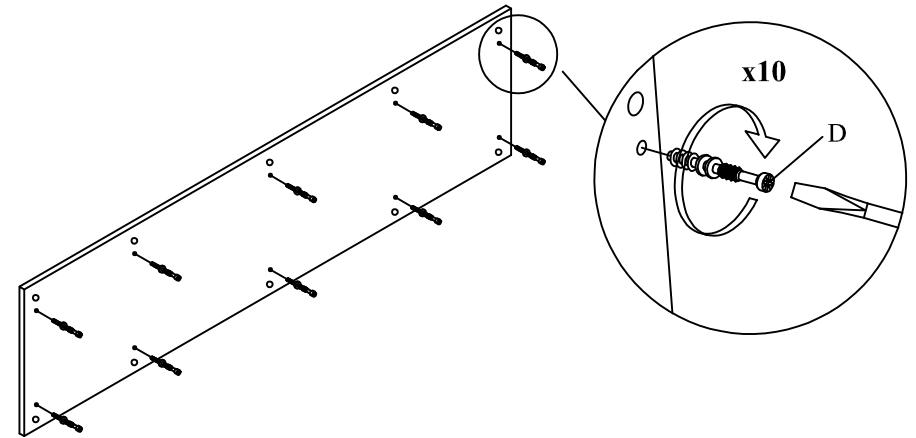
Hardware	QTY
A Allen Key M4 	1
B Wood Dowel 	20
C JCBC W Screw M6x40 	10
D Mini Fix Bolt 	10
E Mini Fix Housing 	10
F Mini Fix Cap 	10
G CSK Screw M4x20mm 	20
H CSK Screw M3.5x16mm 	24
I Power Nail 5/8 	36
J MT81 Support Leg 	5
K Handle 	2
L Shelf Support Metal 	8
M 5/8 Hinge 	4
N Handle Screw 25mm 	4



Step 1



Step 2

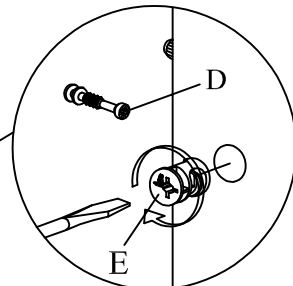


Step 3

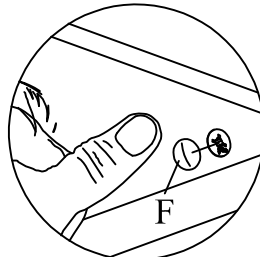
This is how a mini fix works...



The head of the mini fix housing goes into the open mouth of the mini fix bolt. You then turn the mini fix housing so it tightens over the mini fix bolt.

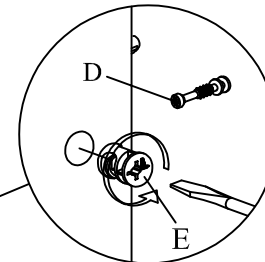


***Assemble center middle panel & right middle panel & right panel , secure with Minifix as shown.**



***Attach Minifix Cap as shown.**

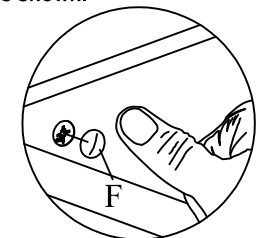
Step 4



***Assemble left middle panel & left panel , secure with Minifix as shown.**

This is how a mini fix works...

The head of the mini fix housing goes into the open mouth of the mini fix bolt. You then turn the mini fix housing so it tightens over the mini fix bolt.

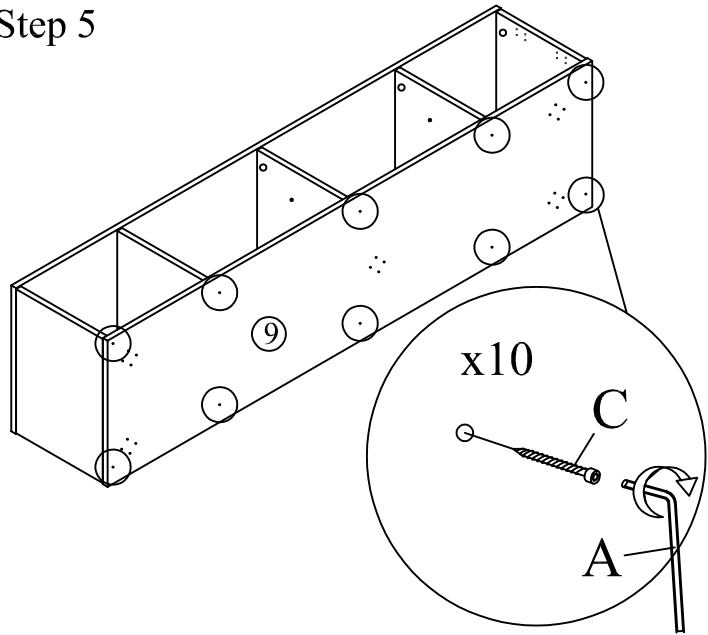


***Attach Minifix Cap as shown.**

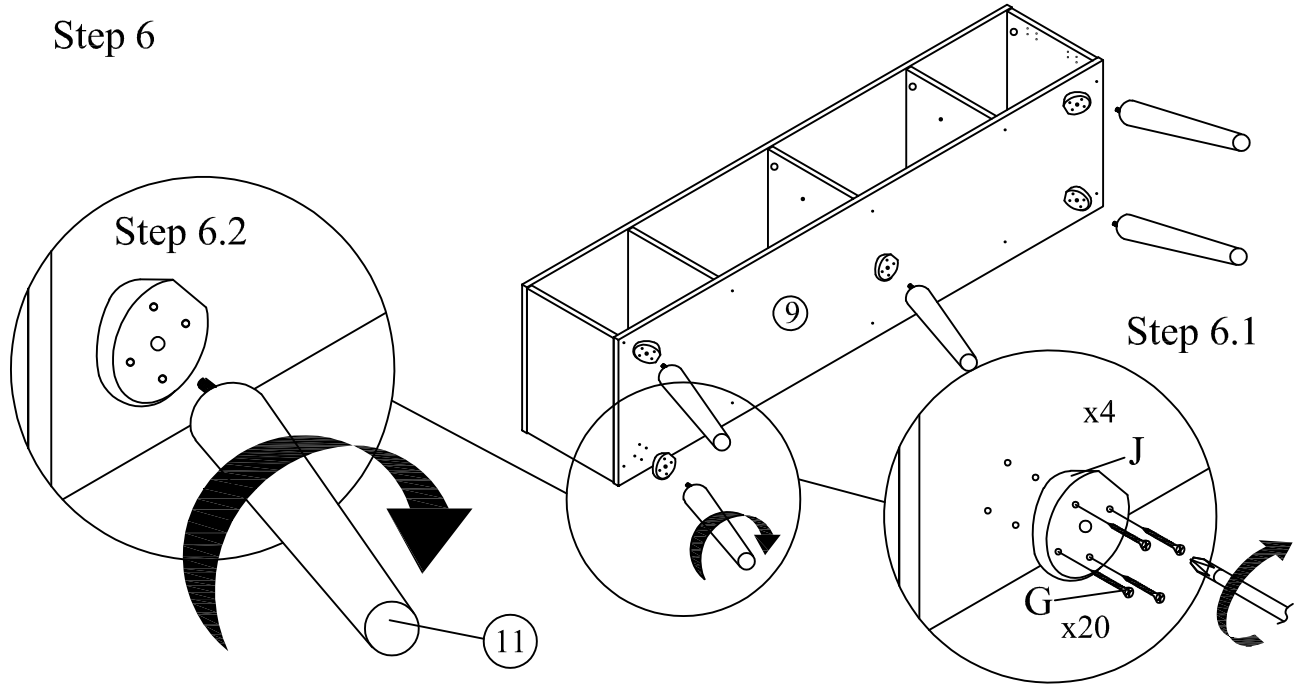
Without edging / veneer facing downward



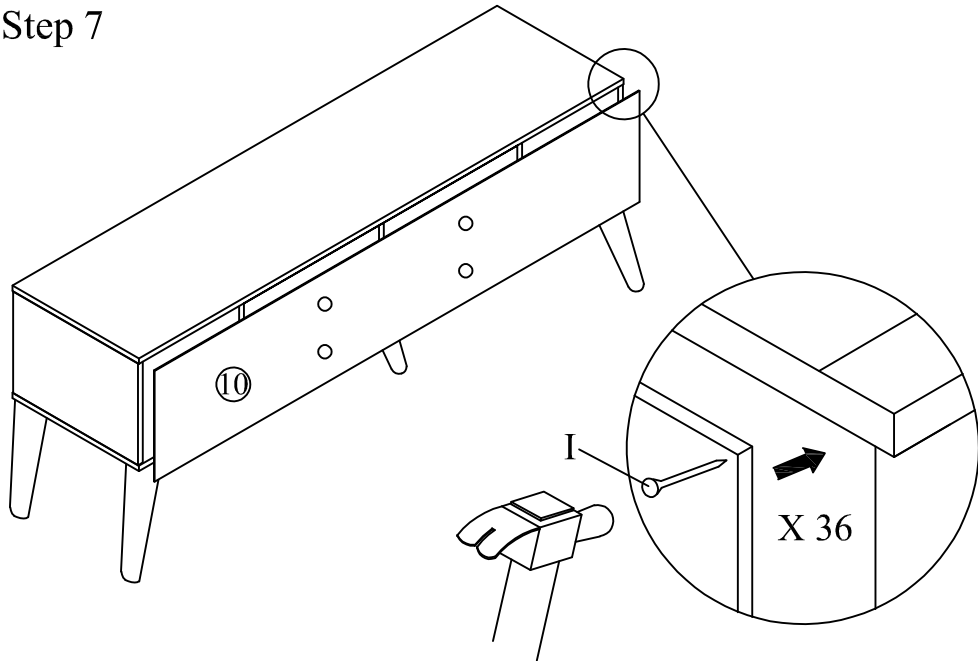
Step 5



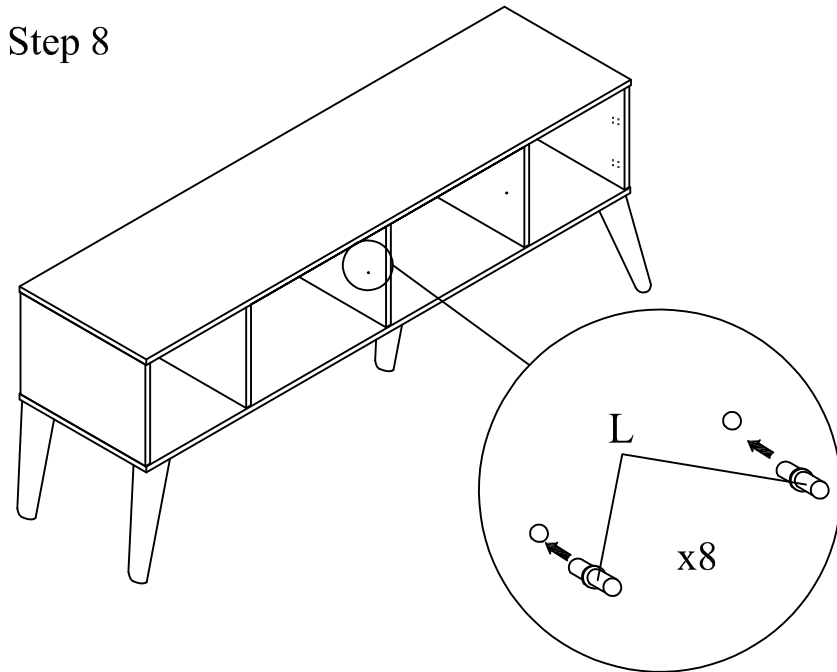
Step 6



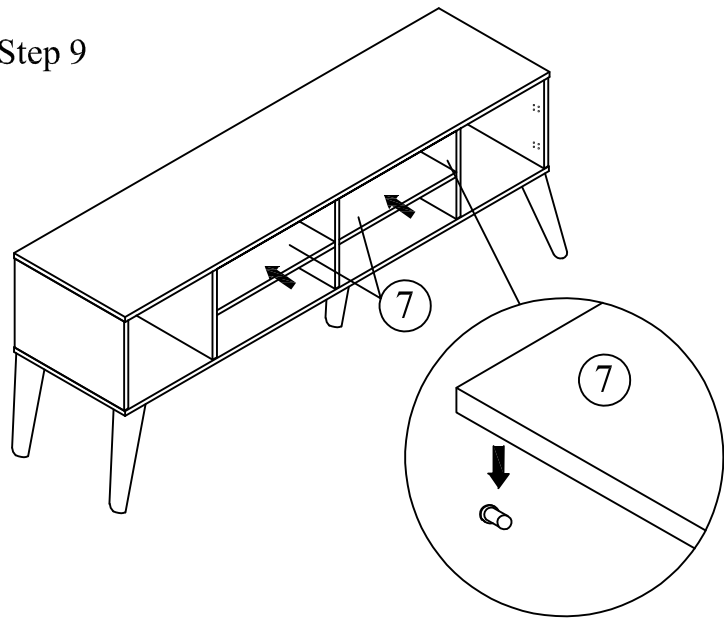
Step 7



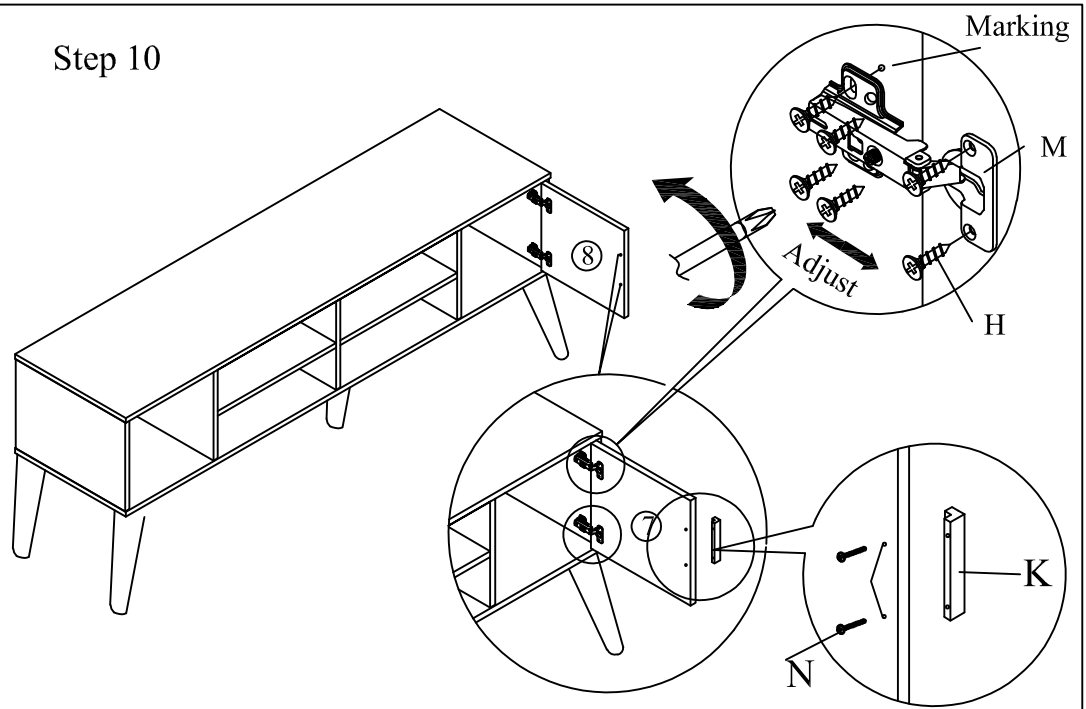
Step 8



Step 9



Step 10



Step 11

