

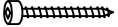



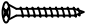
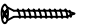







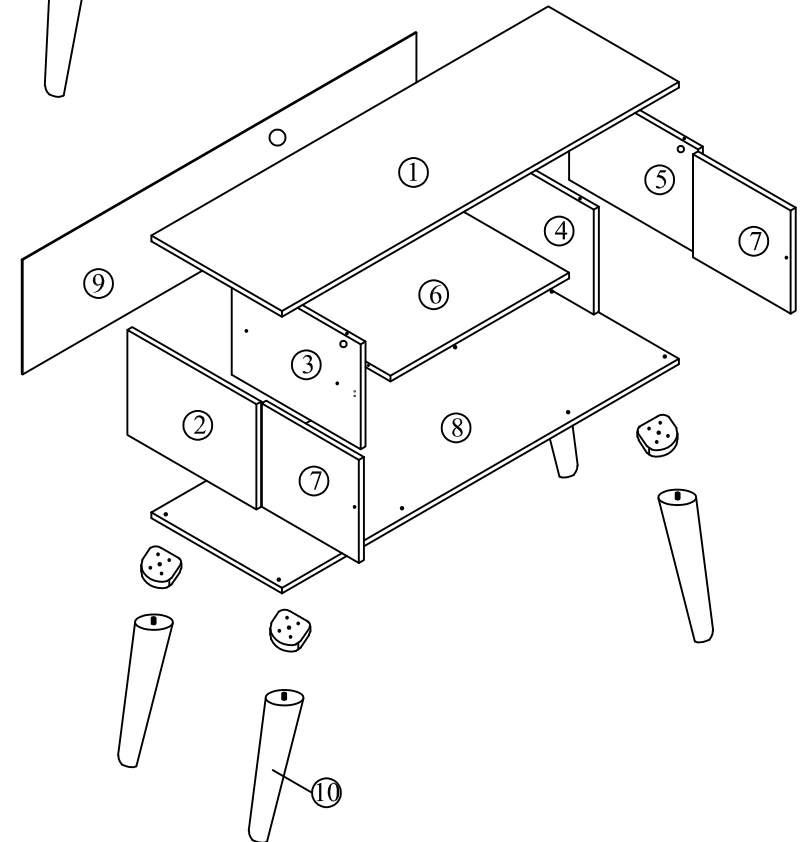
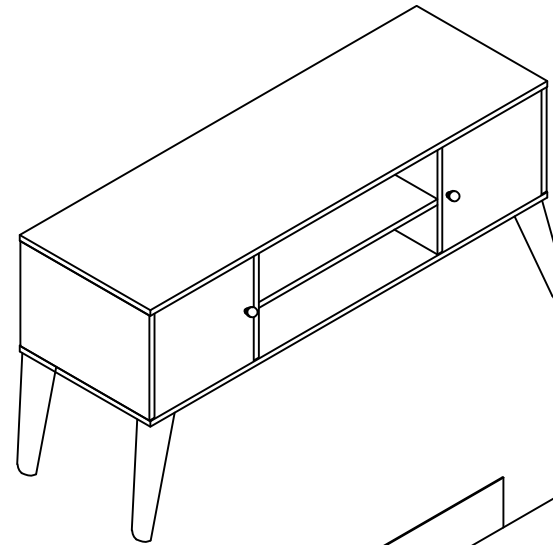


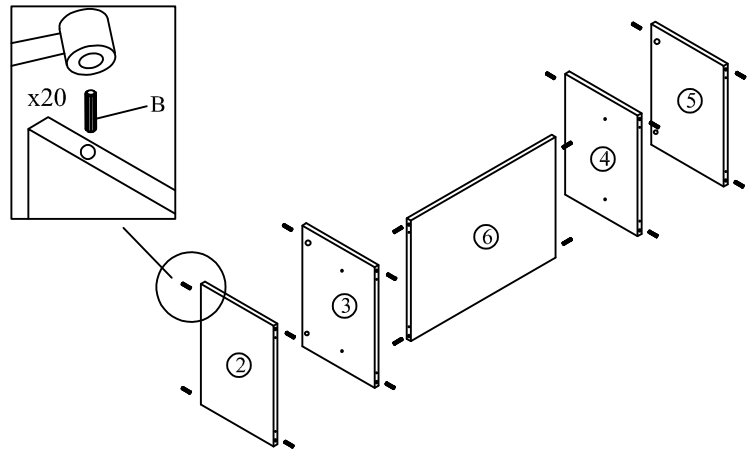
# Assembly Instructions

Part List		QTY	Part List		QTY
1	Top Panel	1	6	Middle Support Panel	1
2	Left Side Panel	1	7	Door Panel	2
3	Left Middle Panel	1	8	Bottom Panel	1
4	Right Middle Panel	1	9	Back Panel	1
5	Right Panel	1	10	Legs	4

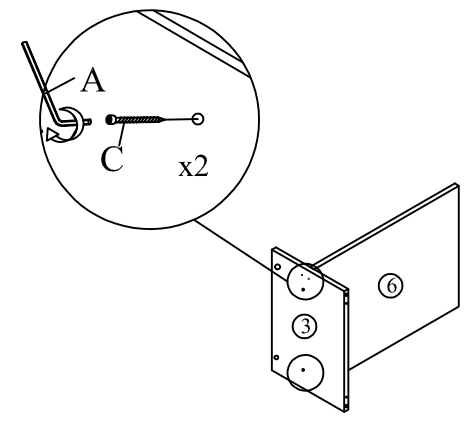
Hardware		QTY
A	Allen Key M4 	1
B	Dowel 	20
C	JCBC W Screw M6x40 	12
D	Mini Fix Bolt 	8
E	Mini Fix Housing 	8
F	Mini Fix Cap 	8
G	CSK Screw M4x20mm 	16
H	CSK Screw M3.5x12mm 	2
I	Handle Screw 25mm 	2
J	Power Nail 6/8 	36
K	Magnet Plate 	2
L	Magnet 	2
M	Door Support 	4
N	MT81 Support Leg 	4
O	Handle 	2



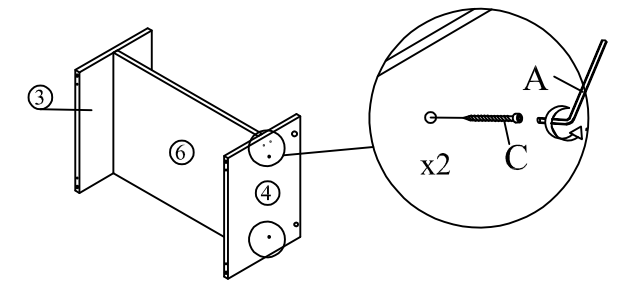
Step 1



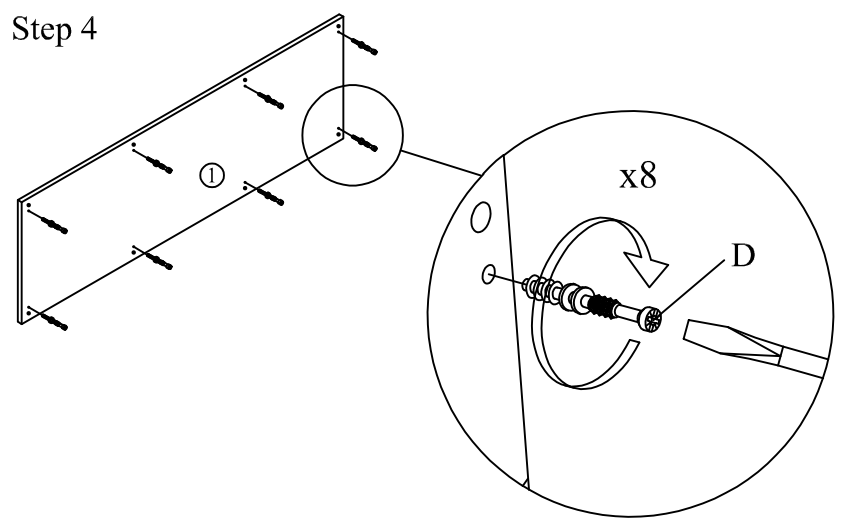
Step 2



Step 3




Step 4



Step 5

*\*Assemble right size panel , secure with Minifix as shown.*

This is how a mini fix works...



The head of the mini fix housing goes into the open mouth of the mini fix bolt. You then turn the mini fix housing so it tightens over the mini fix bolt.

Without edging / veneer facing downward

*\*Attach Minifix Cap as shown.*

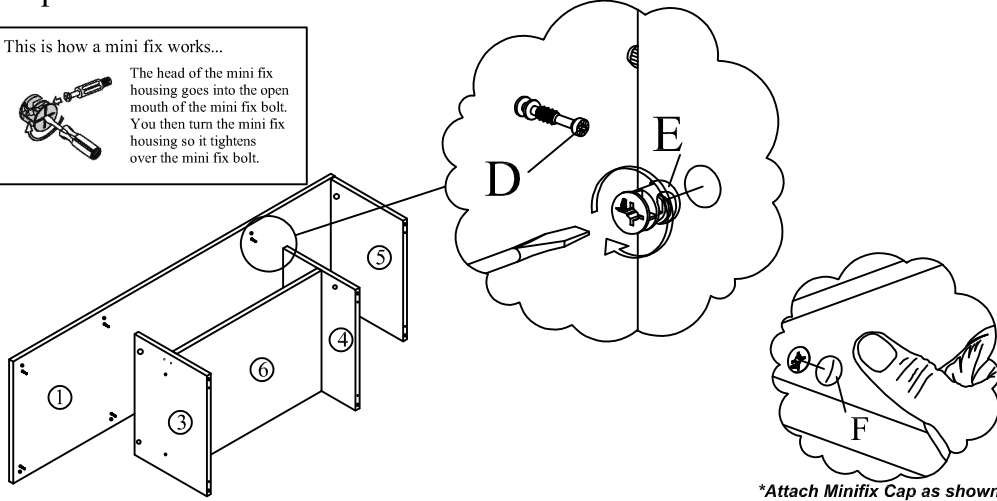
### Step 6

This is how a mini fix works...



The head of the mini fix housing goes into the open mouth of the mini fix bolt. You then turn the mini fix housing so it tightens over the mini fix bolt.

*\*Assemble left middle panel , right middle panel secure with Minifix as shown.*



*\*Attach Minifix Cap as shown.*

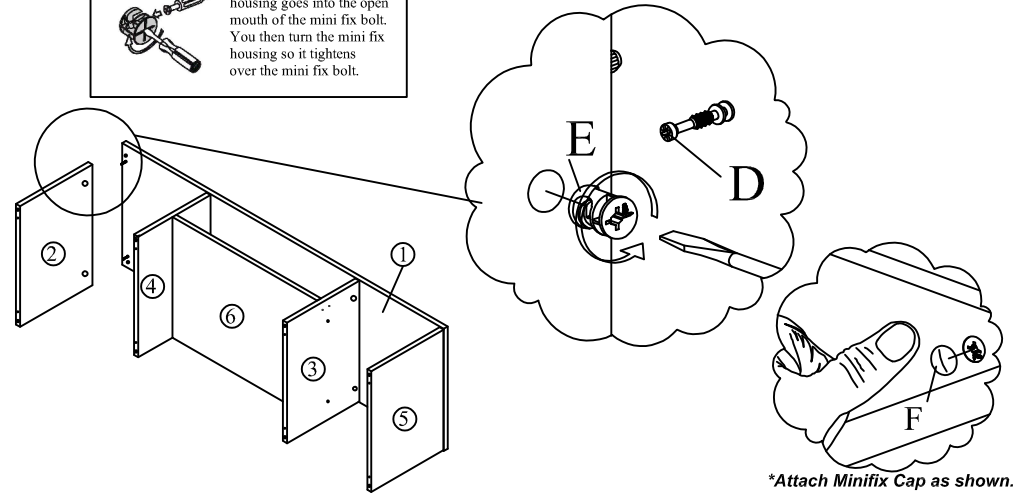
### Step 7

This is how a mini fix works...



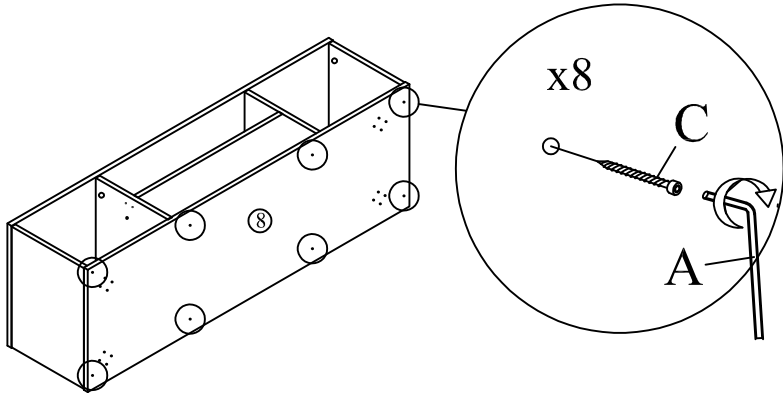
The head of the mini fix housing goes into the open mouth of the mini fix bolt. You then turn the mini fix housing so it tightens over the mini fix bolt.

*\*Assemble left size panel , secure with Minifix as shown.*



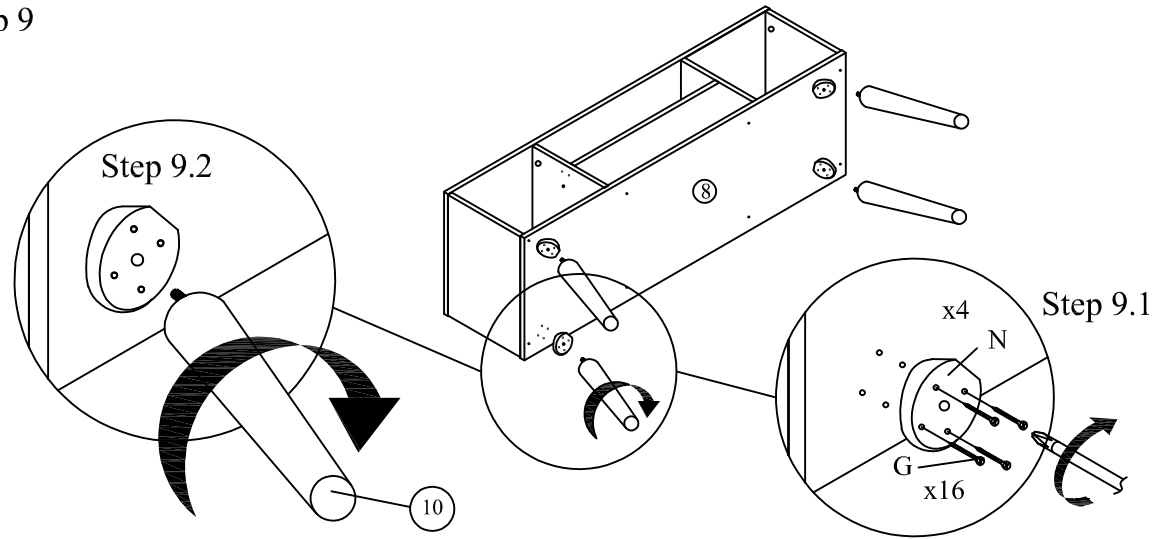
*\*Attach Minifix Cap as shown.*

### Step 8



x8

### Step 9



Step 9.2

Step 9.1

x4

N

G

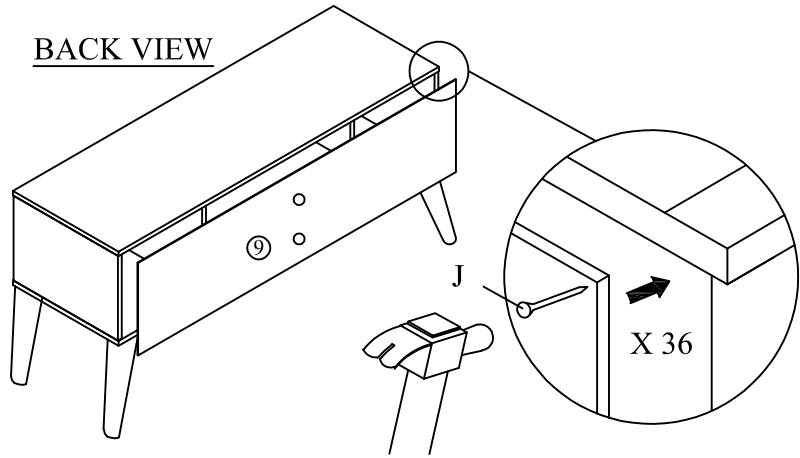
x16

10

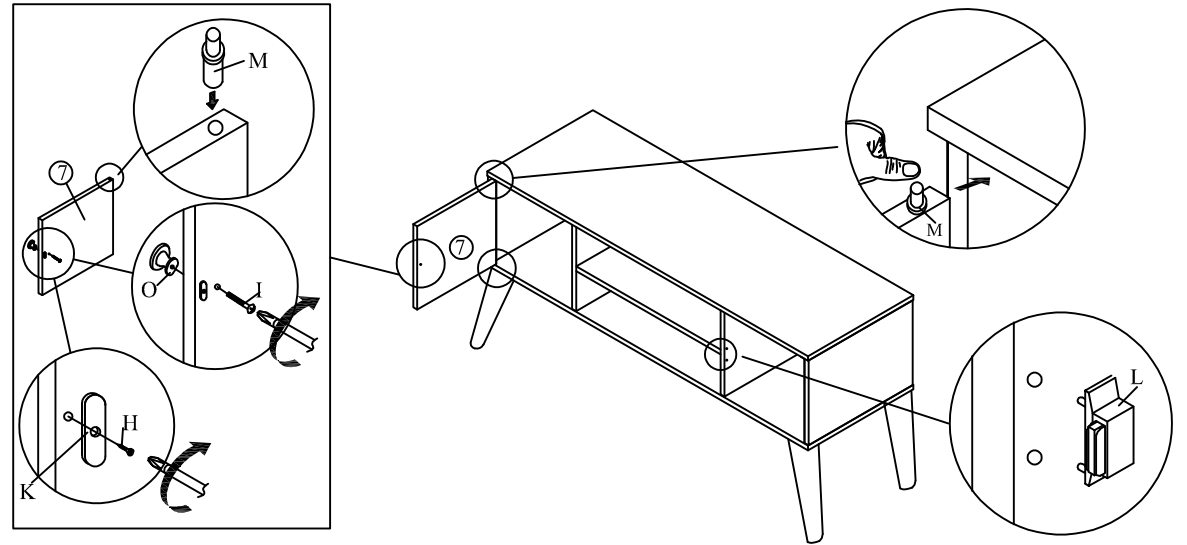
8

Step 10

BACK VIEW



Step 11



Step 12

