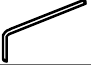

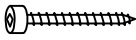




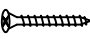
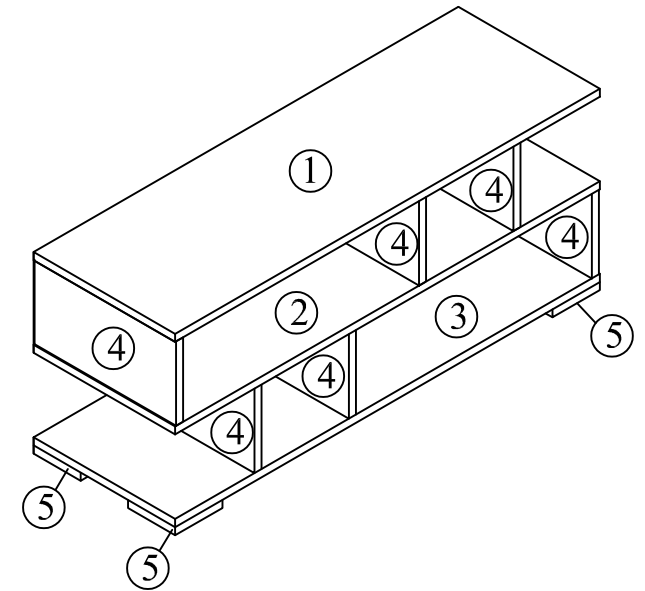
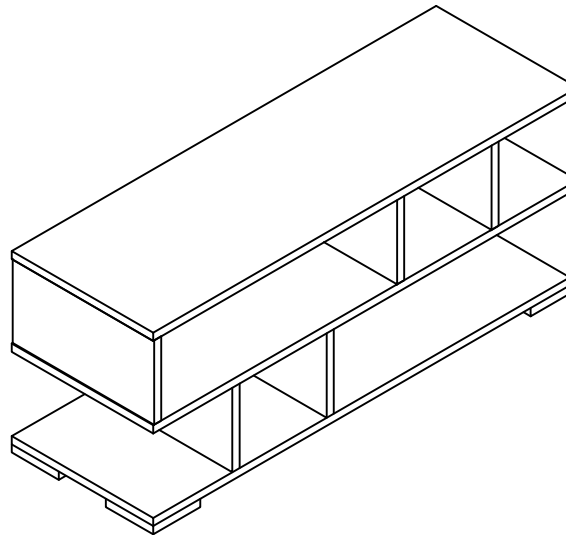
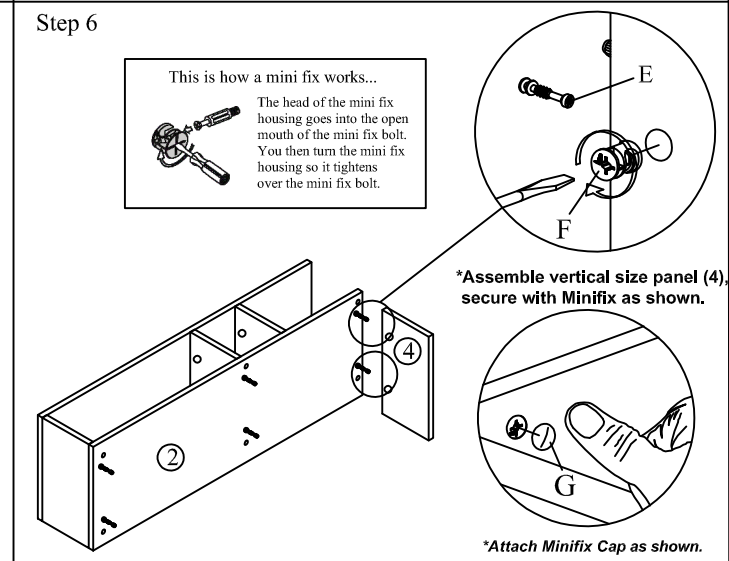
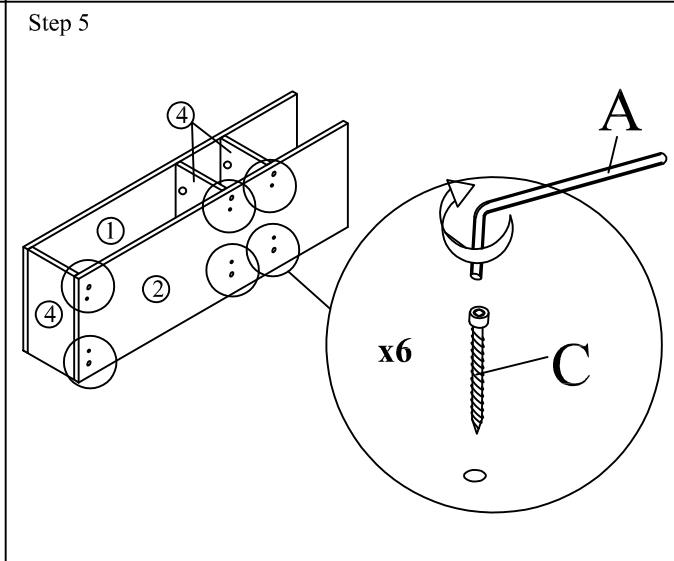
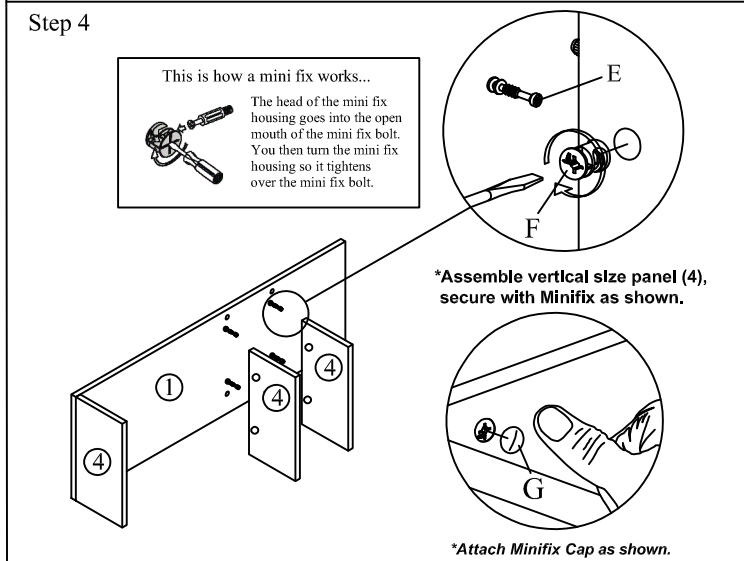
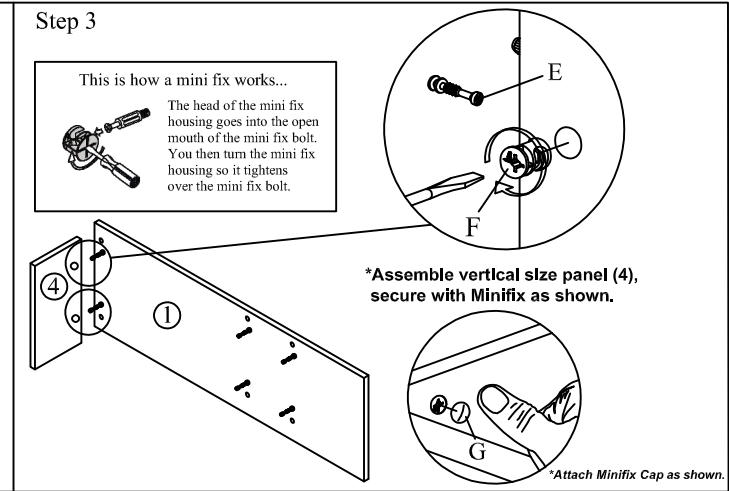
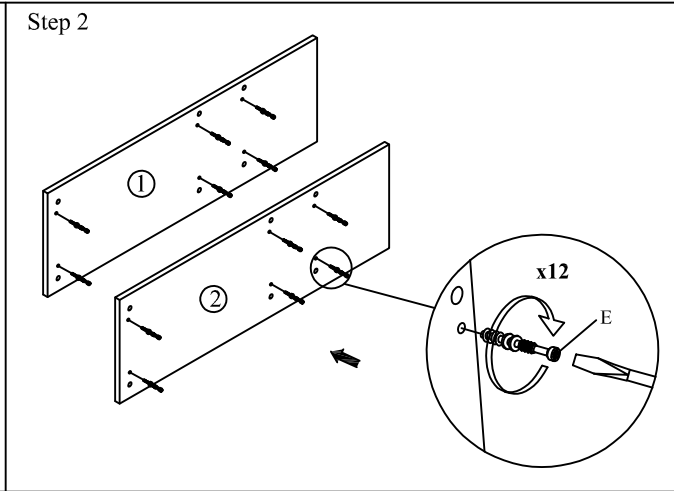
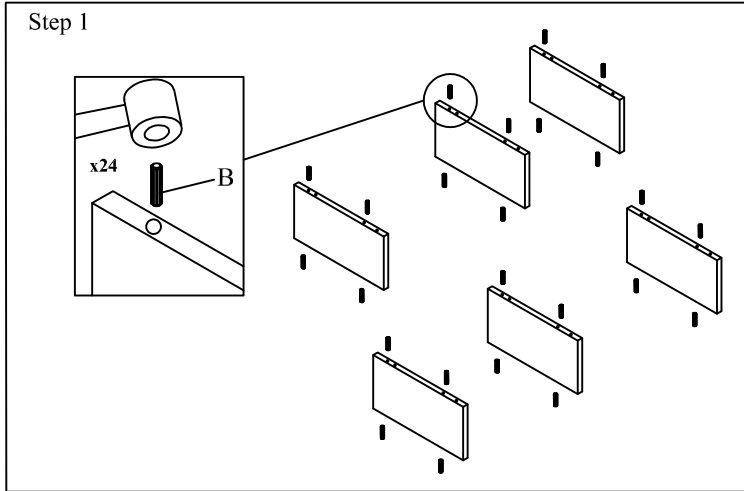


Assembly Instructions

Part List		QTY
1	Top Panel	1
2	Middle Panel	1
3	Bottom Panel	1
4	Vertical Panel	6
5	Bottom Panel Legs	4

Hardware		QTY
A	Allen Key M4 	1
B	Dowel 	24
C	JCBC W Screw M6x40 	12
D	White Nail 	4
E	Mini Fix Bolt 	12
F	Mini Fix Housing 	12
G	Mini Fix Cap 	12
H	CSK Screw M4x25mm 	8



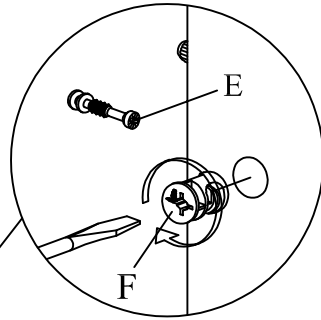


Step 7

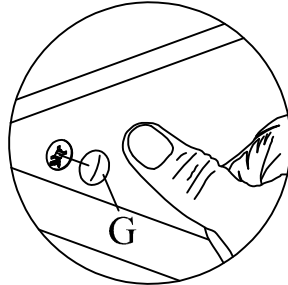
This is how a mini fix works...



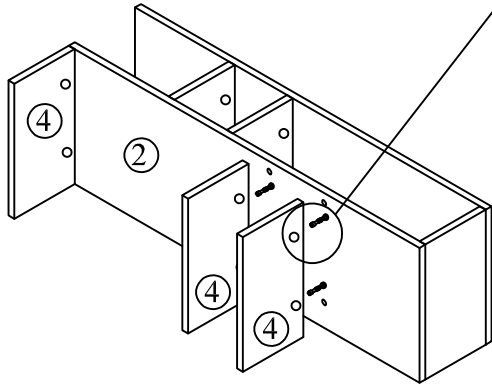
The head of the mini fix housing goes into the open mouth of the mini fix bolt. You then turn the mini fix housing so it tightens over the mini fix bolt.



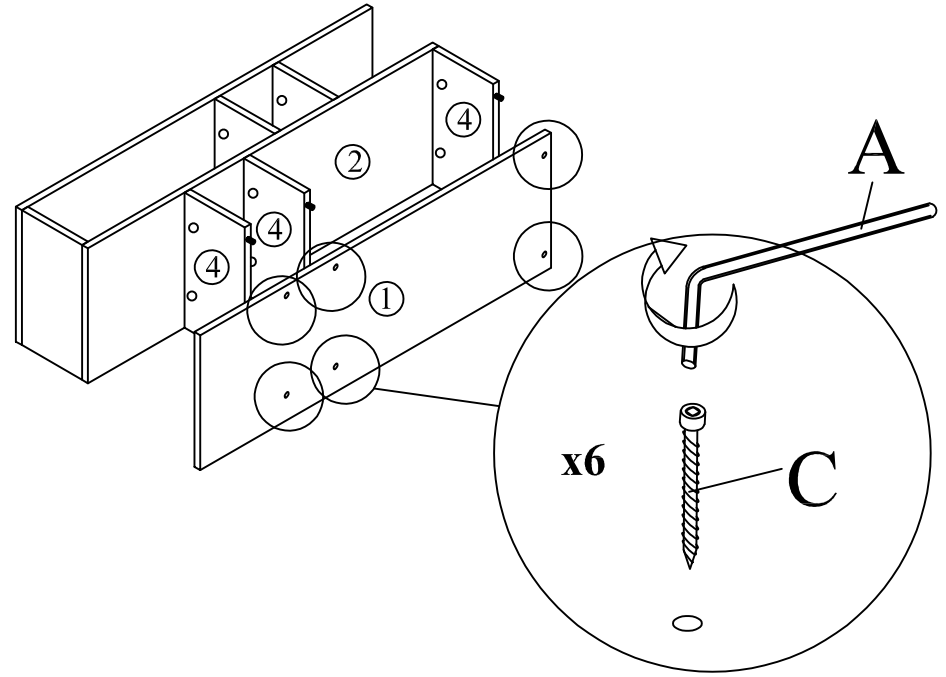
***Assemble vertical size panel (4), secure with Minifix as shown.**



***Attach Minifix Cap as shown.**

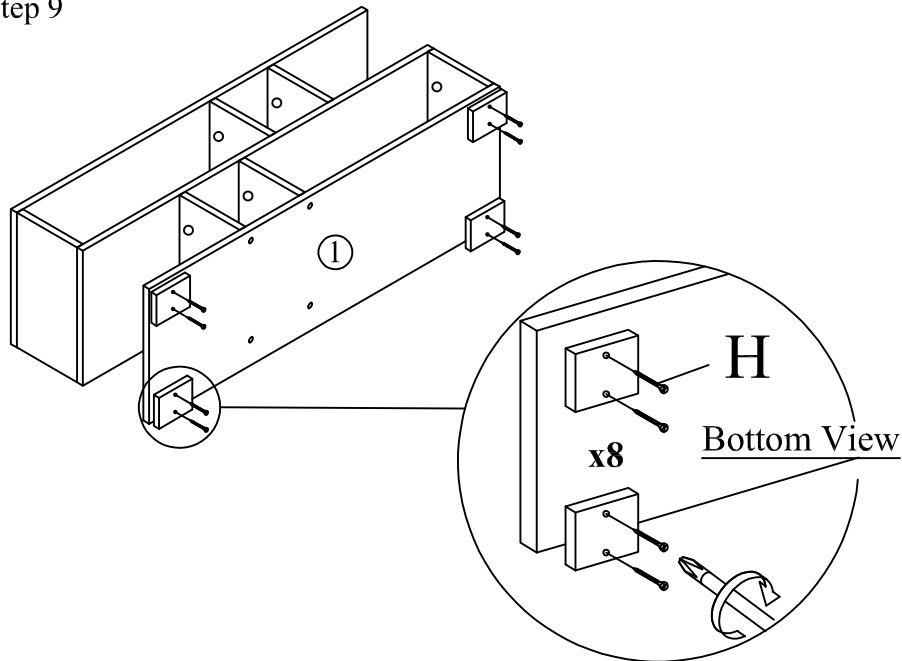


Step 8



x6

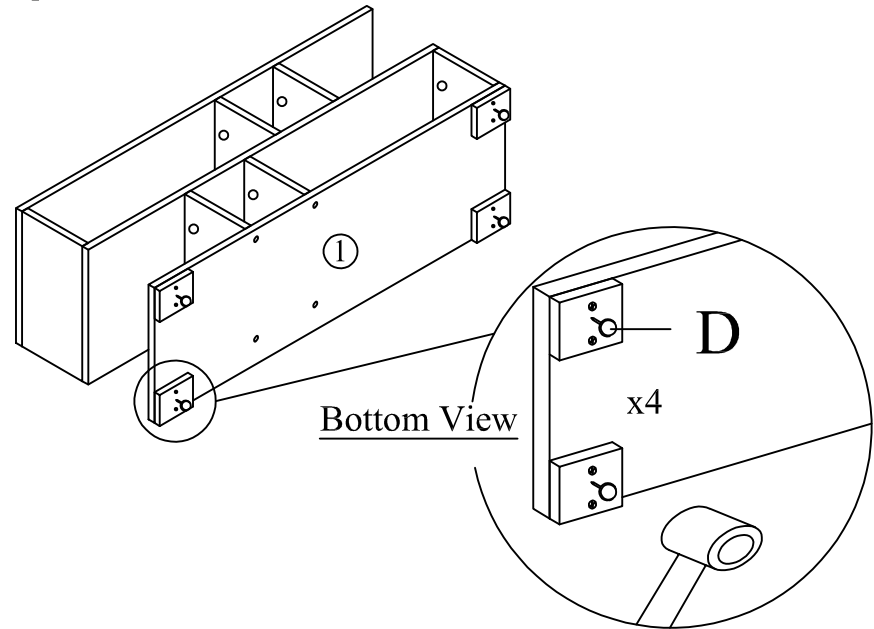
Step 9



x8

Bottom View

Step 10



x4

Bottom View