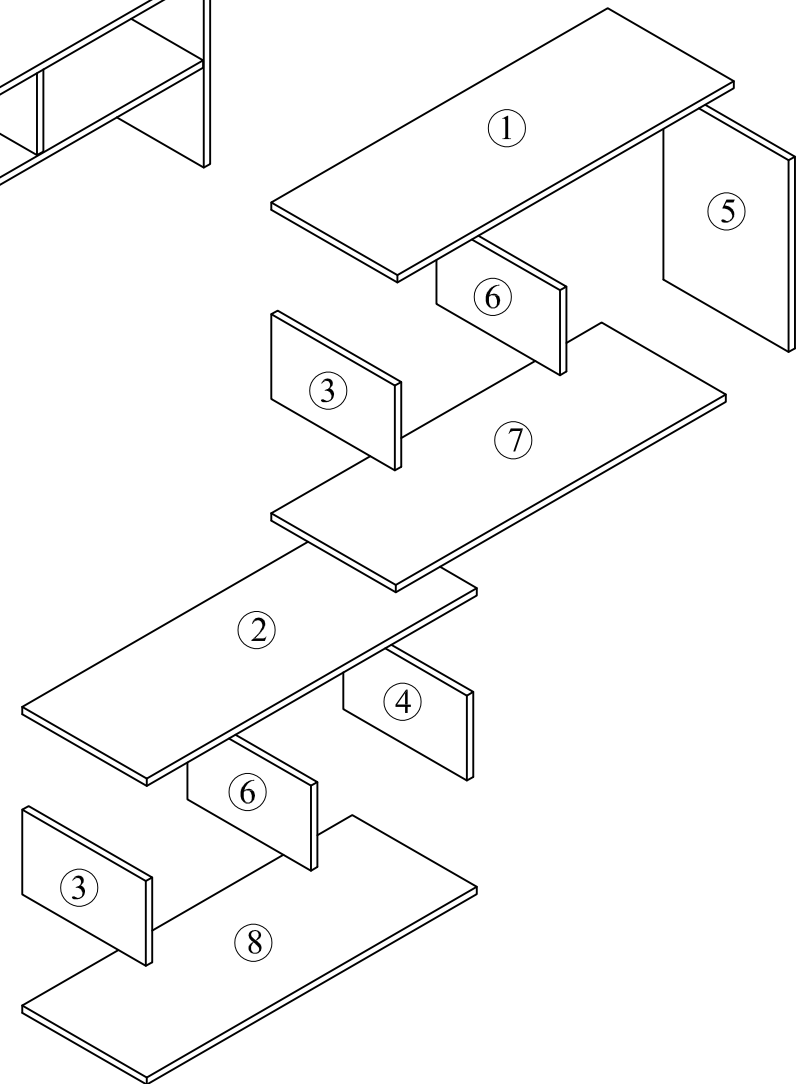
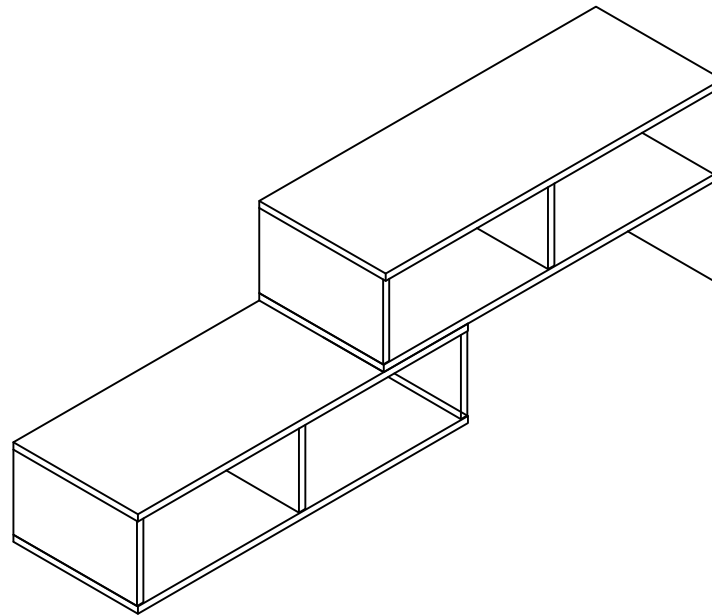



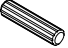
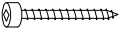




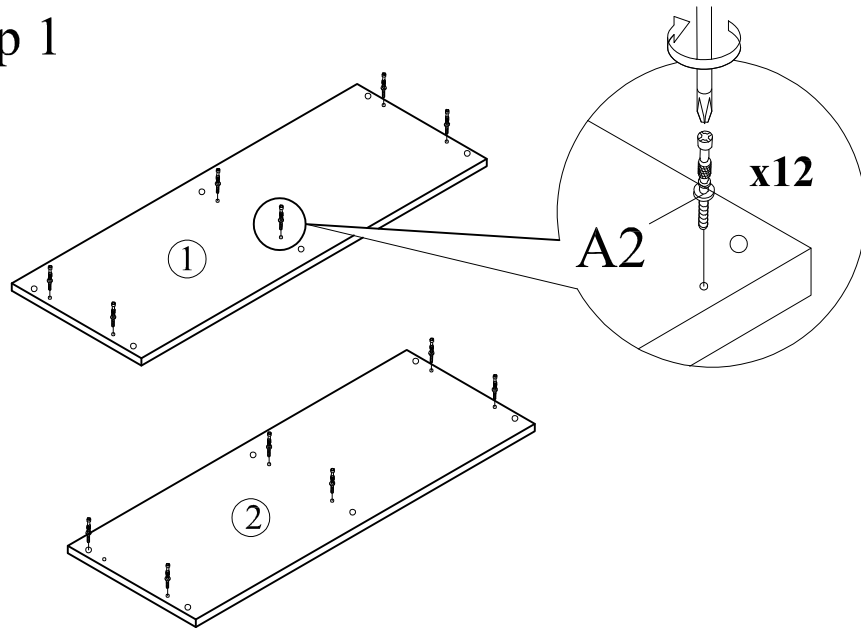
# Assembly Instructions

Part List		QTY
1	Top Tray	1
2	Top Panel	1
3	Side Panel (L)	2
4	Side Panel (R)	1
5	Side Panel (R)	1
6	Center Panel	1
7	Middle Panel	1
8	Bottom Panel	1

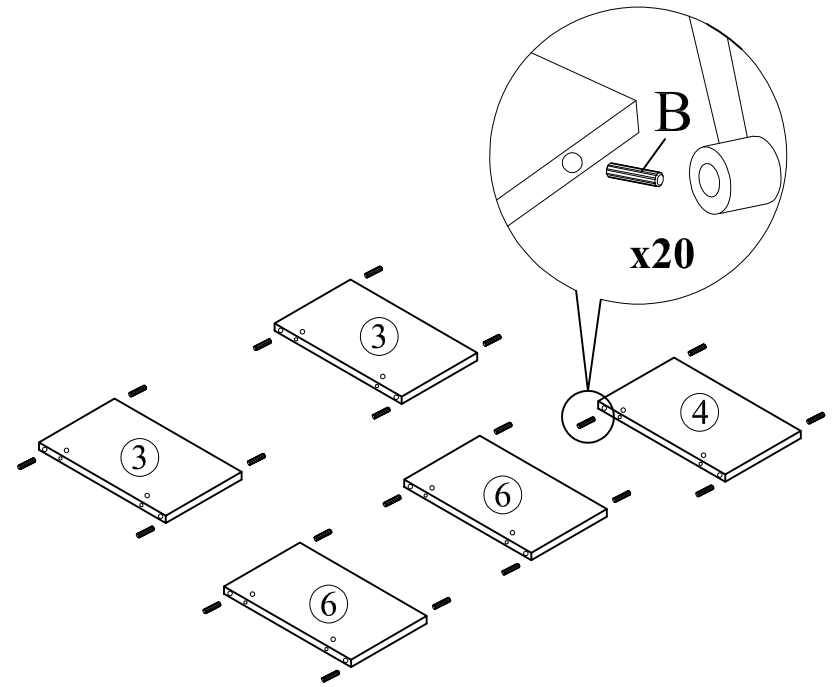


Hardware		QTY
A	MINI FIX A1  A2  A3 	14
B	M8 X 25 MM Wood Dowel 	24
C	M6x40 CSK CAP WOOD SCREW 	10
D	5/8 PVC NAIL LEG 	8
E	ALLEN KEY M4 	1

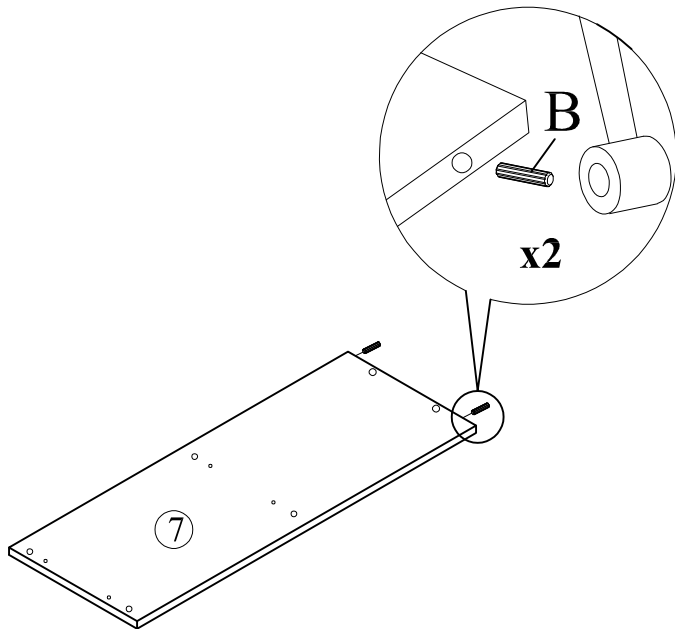
### Step 1



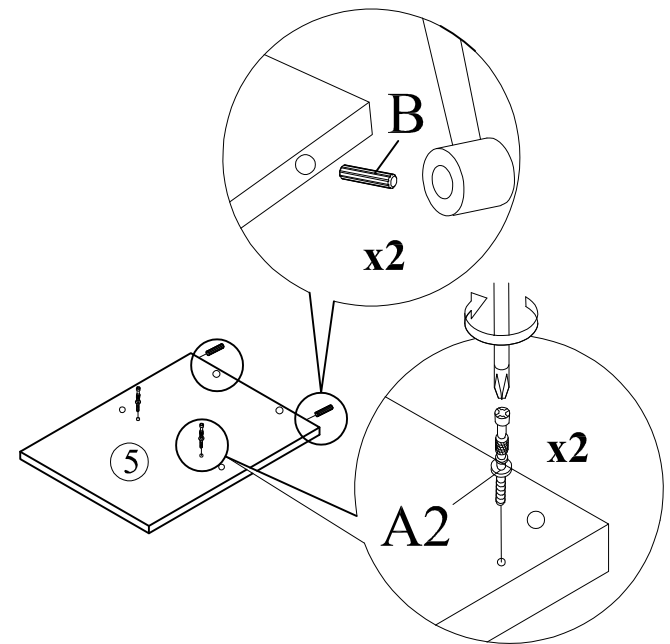
### Step 2



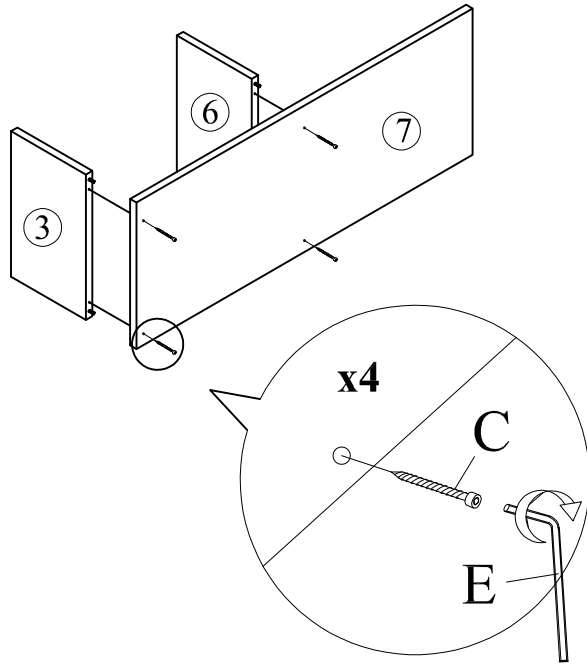
### Step 3



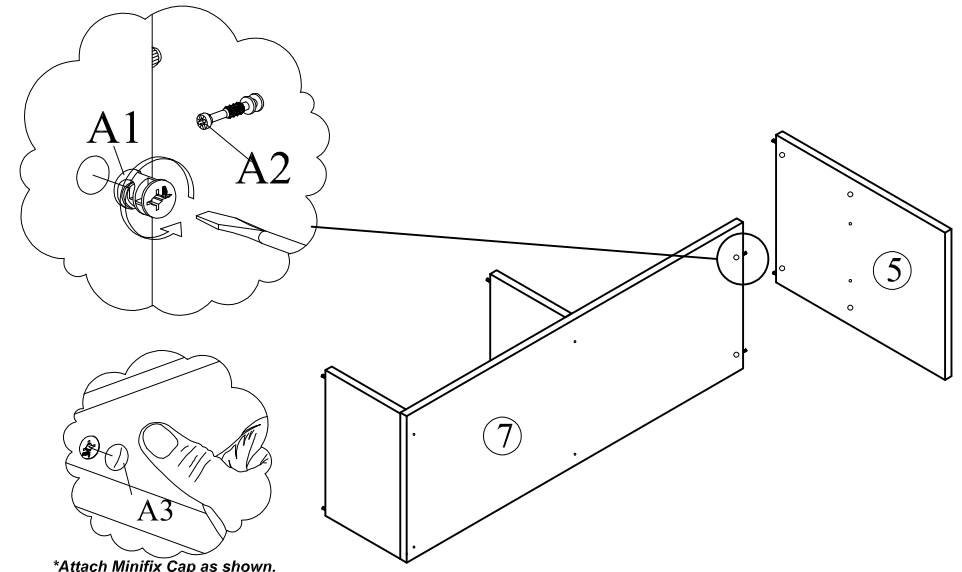
### Step 4



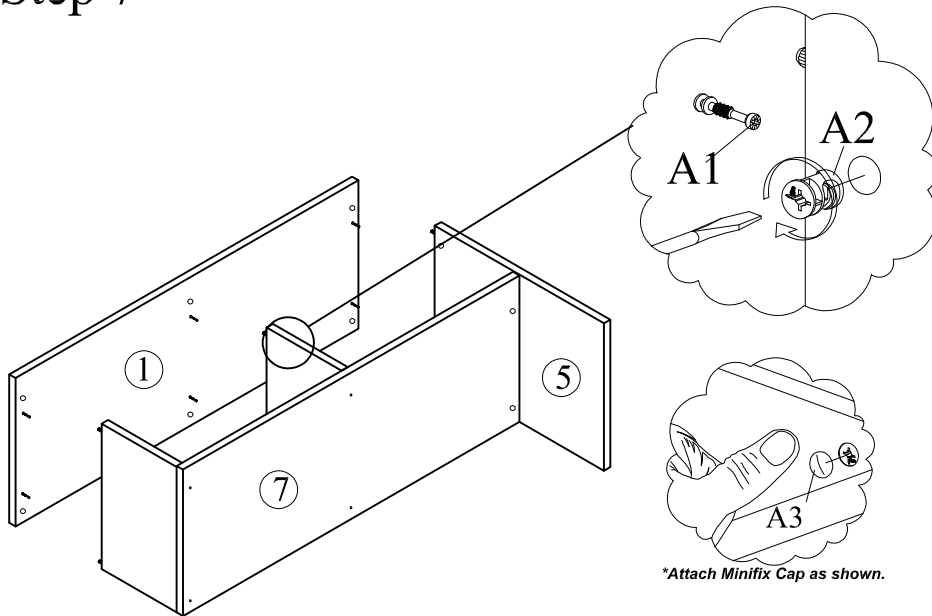
### Step 5



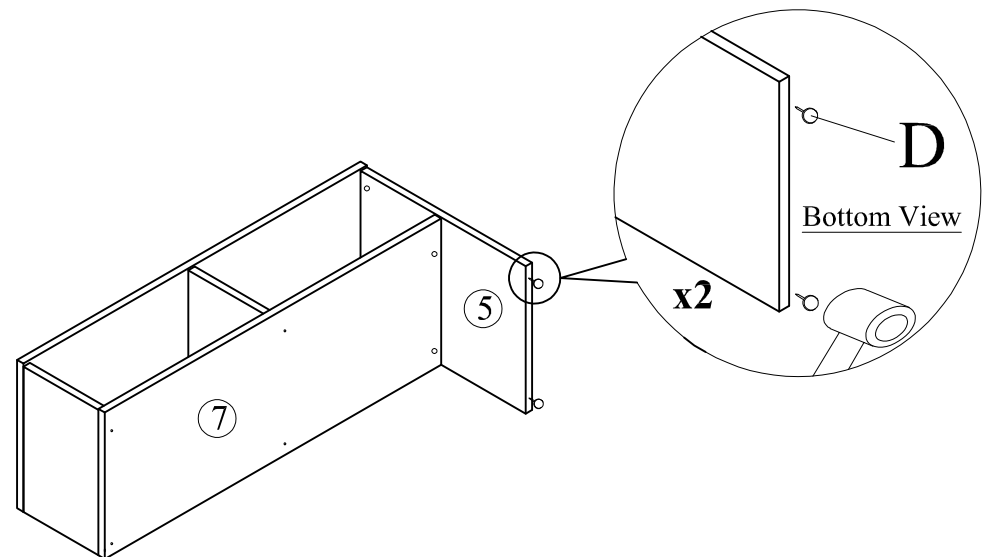
### Step 6



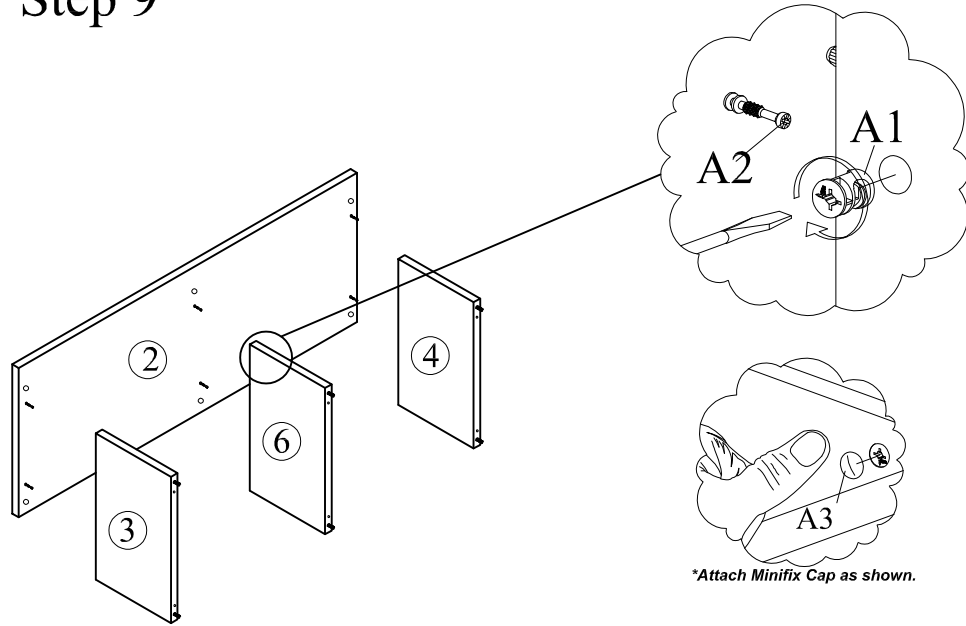
### Step 7



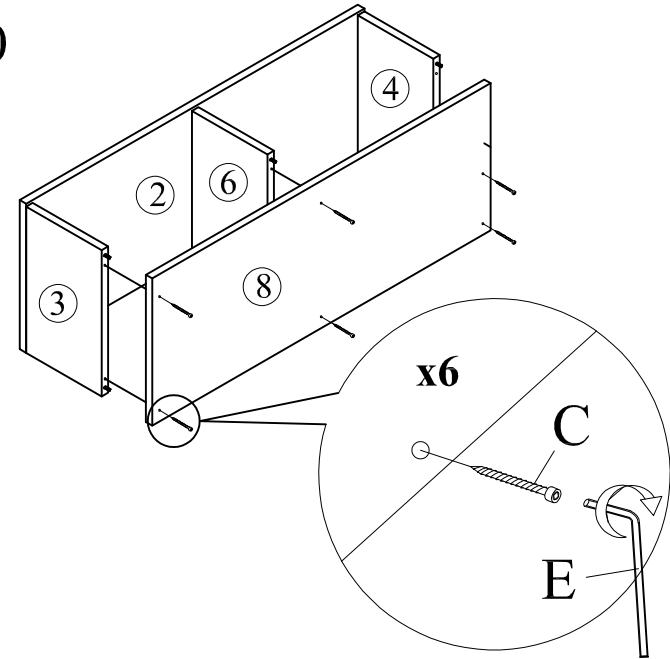
### Step 8



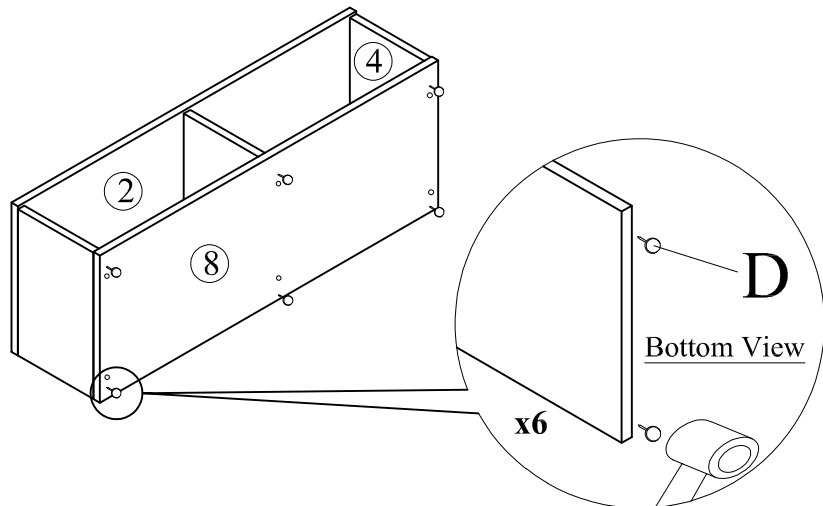
## Step 9



## Step 10



## Step 11



## Step 12

