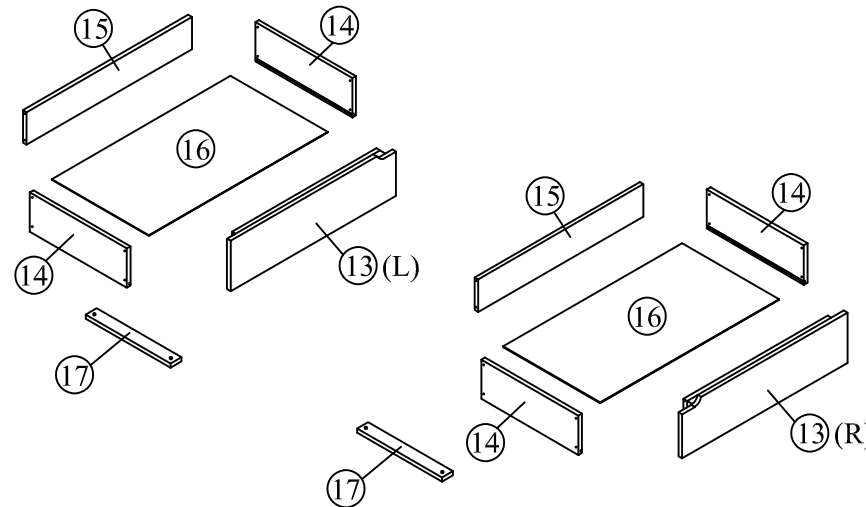
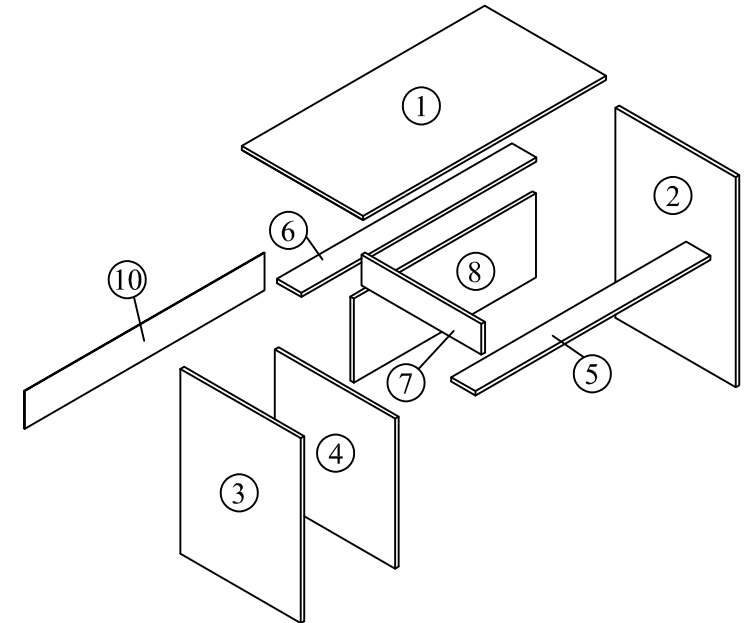
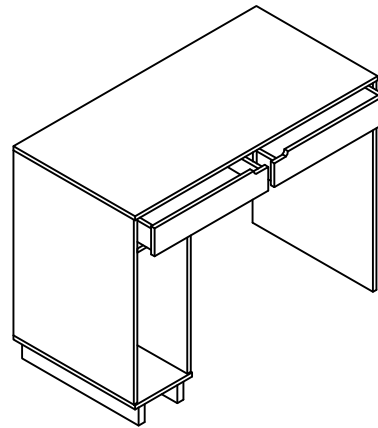


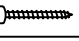



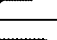
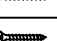


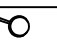
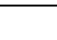


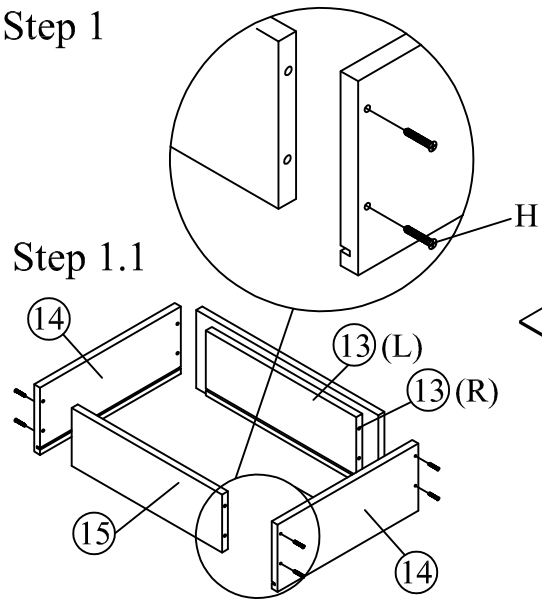
Assembly Instructions

Part List	QTY	Part List	QTY
1 Top Panel	1	11 Left / Right Legs	2
2 Right Side Panel	1	12 Center Legs	1
3 Left Side Panel	1	13 Drawer Front Panel	2
4 Middle Panel	1	14 Drawer Side Panel	4
5 Middle Center Panel	1	15 Drawer Back Panel	2
6 Middle Center Panel	1	16 Drawer Bottom Panel	2
7 Middle Support Centre Panel	1	17 Drawer Support Bottom Panel	2
8 Middle Back Panel	1		
9 Bottom Panel	1		
10 Back Panel	1		

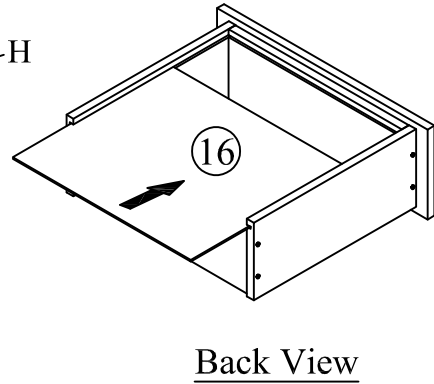


Hardware	QTY
A Allen Key M4 	1
B Wood Dowel 	34
C JCBC W Screw M6x40 	8
D Mini Fix Bolt 	20
E Mini Fix Housing 	20
F Mini Fix Cap 	4
G CSK Screw M3.5x16mm 	24
H CSK Screw M4x50mm 	16
I CSK Screw M4x32mm 	4
J 400mm Drawer Slide 	2
K Power Nail ⅝ 	32
L White Nail Leg 	6

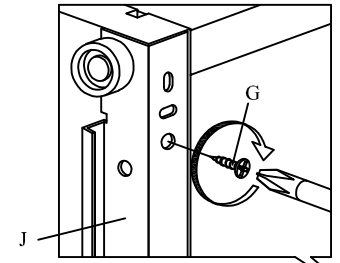
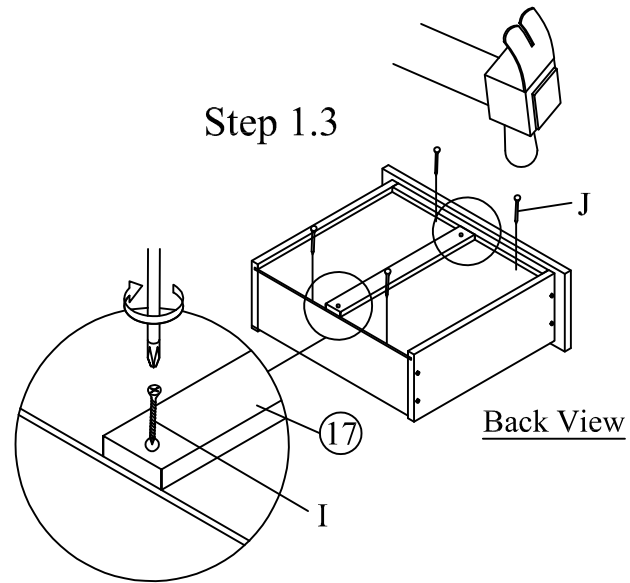
Step 1



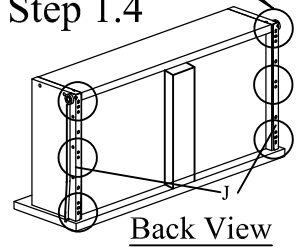
Step 1.2



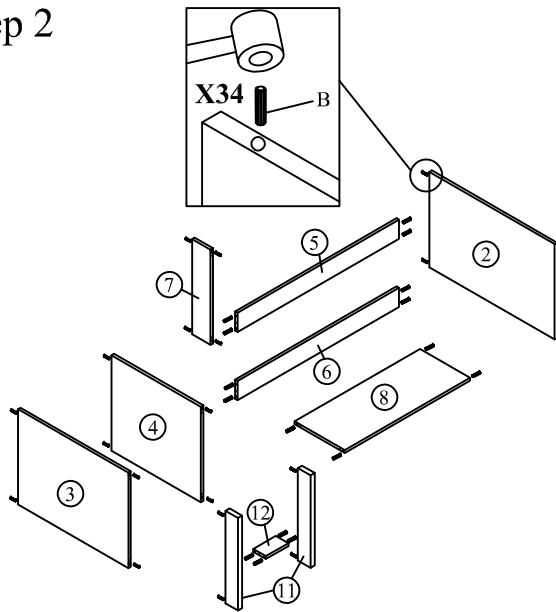
Step 1.3



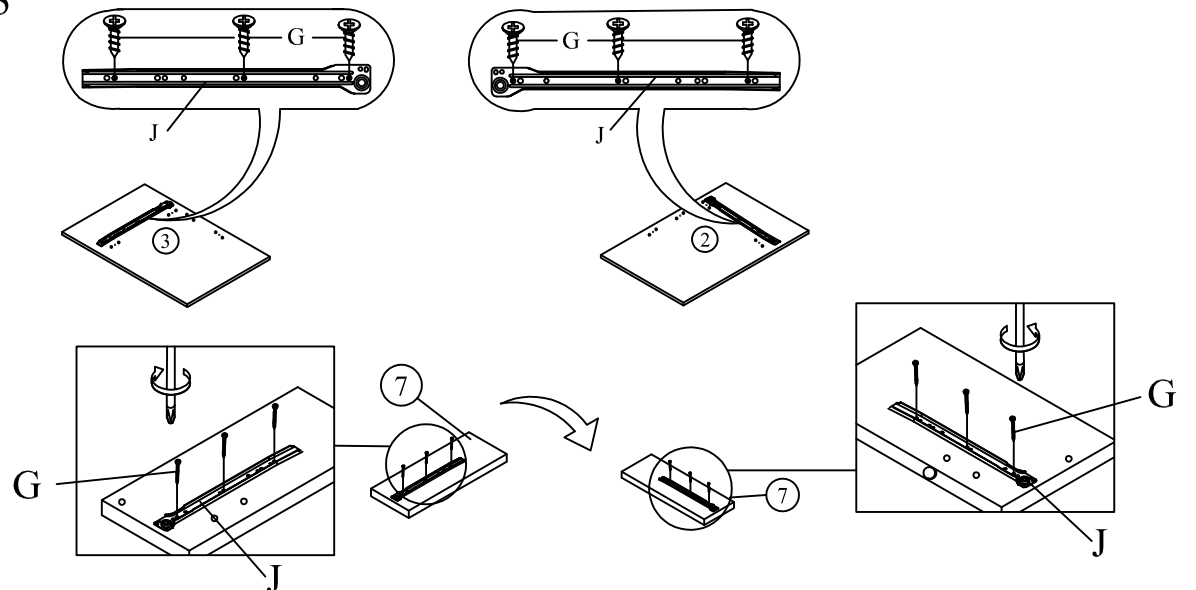
Step 1.4



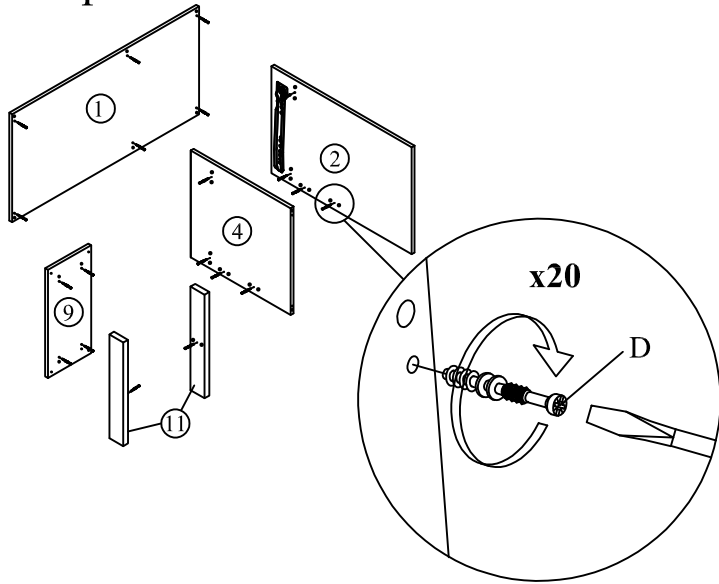
Step 2



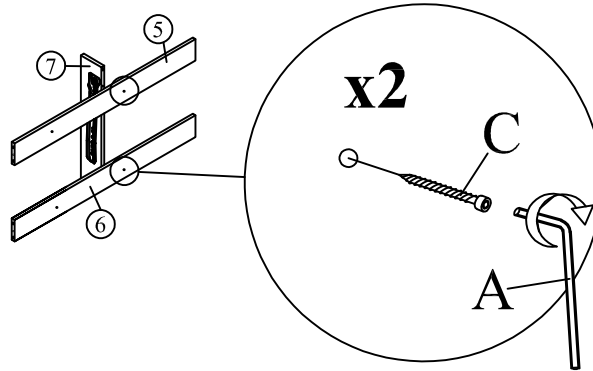
Step 3



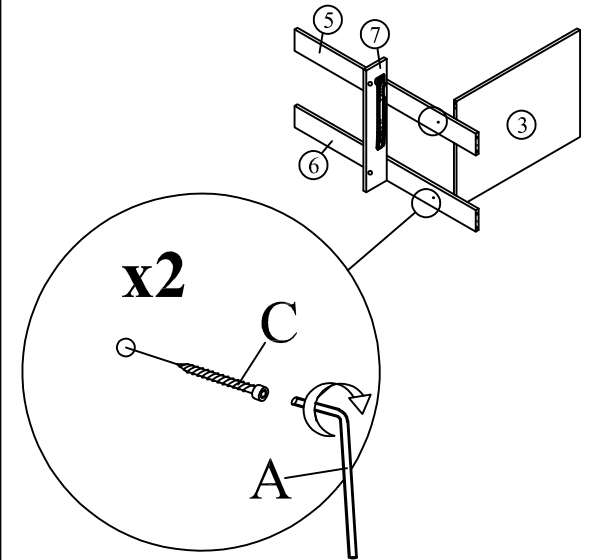
Step 4



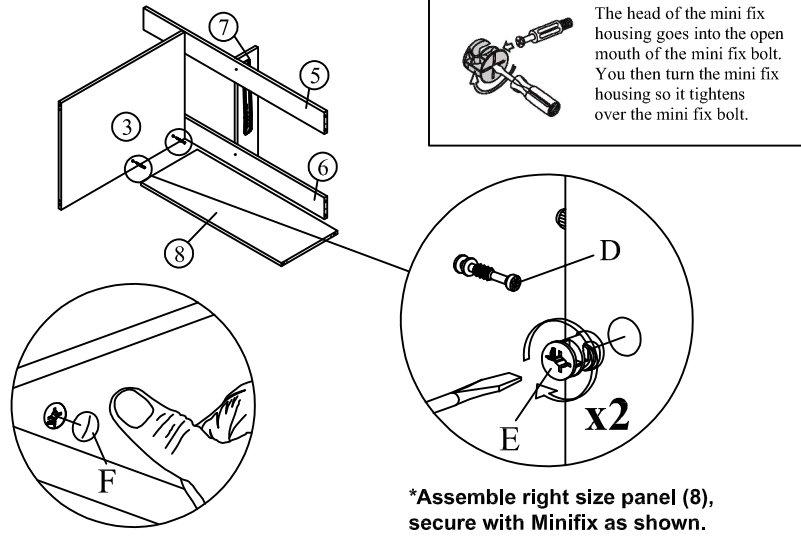
Step 5



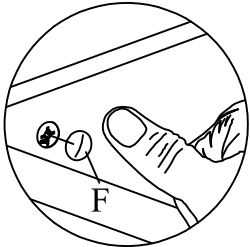
Step 6



Step 7



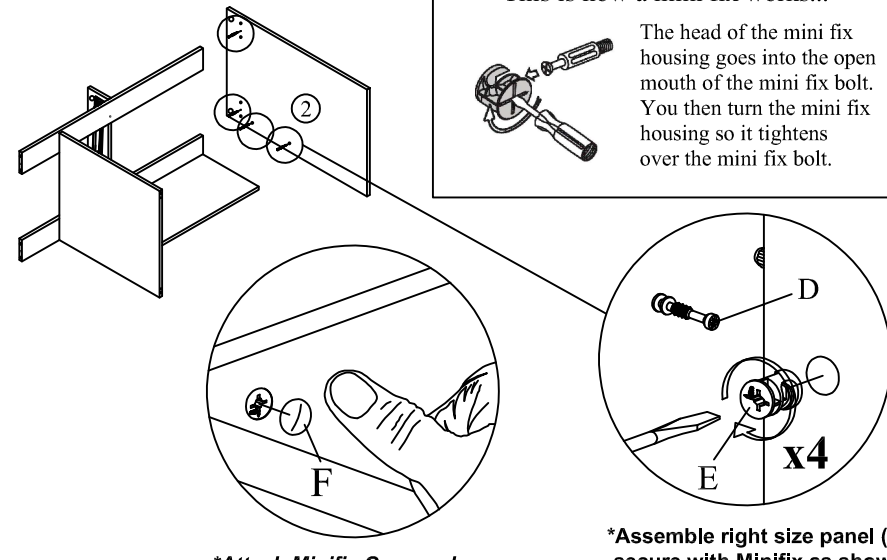
This is how a mini fix works...
 The head of the mini fix housing goes into the open mouth of the mini fix bolt. You then turn the mini fix housing so it tightens over the mini fix bolt.



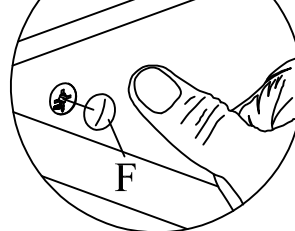
*Attach Minifix Cap as shown.

*Assemble right size panel (8), secure with Minifix as shown.

Step 8



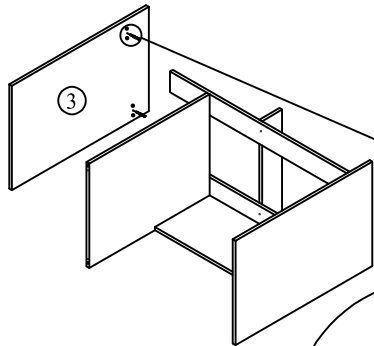
This is how a mini fix works...
 The head of the mini fix housing goes into the open mouth of the mini fix bolt. You then turn the mini fix housing so it tightens over the mini fix bolt.



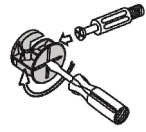
*Attach Minifix Cap as shown.

*Assemble right size panel (2), secure with Minifix as shown.

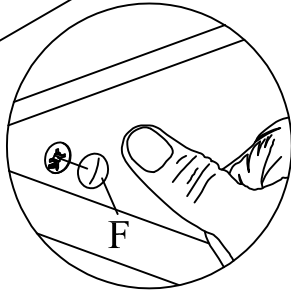
Step 9



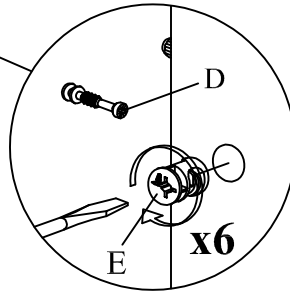
This is how a mini fix works...



The head of the mini fix housing goes into the open mouth of the mini fix bolt. You then turn the mini fix housing so it tightens over the mini fix bolt.

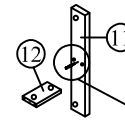


**Attach Minifix Cap as shown.*

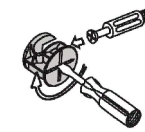


**Assemble right size panel (3), secure with Minifix as shown.*

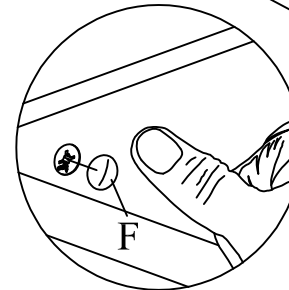
Step 10



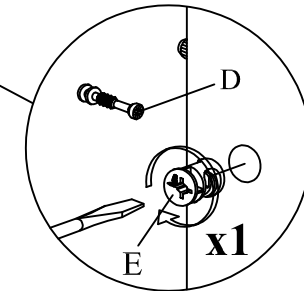
This is how a mini fix works...



The head of the mini fix housing goes into the open mouth of the mini fix bolt. You then turn the mini fix housing so it tightens over the mini fix bolt.

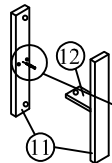


**Attach Minifix Cap as shown.*

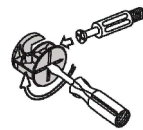


**Assemble right leg (11), secure with Minifix as shown.*

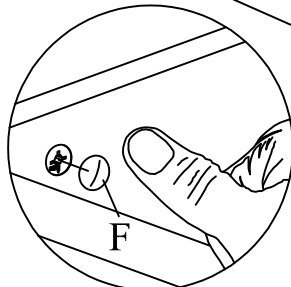
Step 11



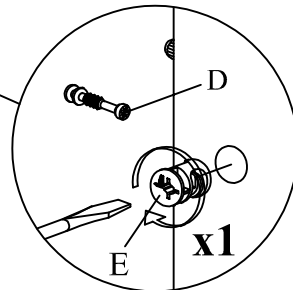
This is how a mini fix works...



The head of the mini fix housing goes into the open mouth of the mini fix bolt. You then turn the mini fix housing so it tightens over the mini fix bolt.

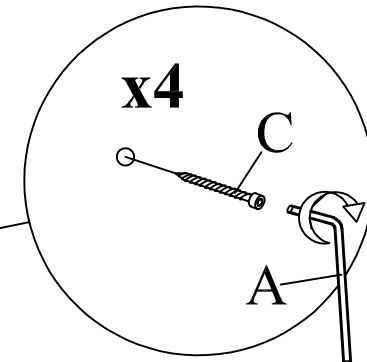
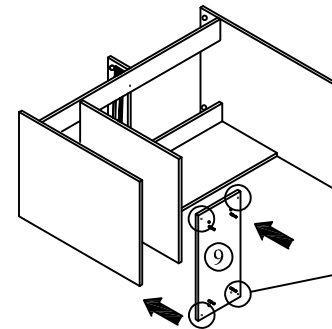


**Attach Minifix Cap as shown.*

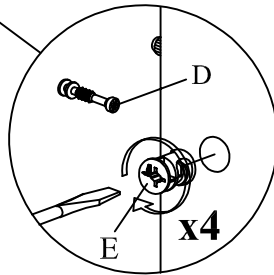
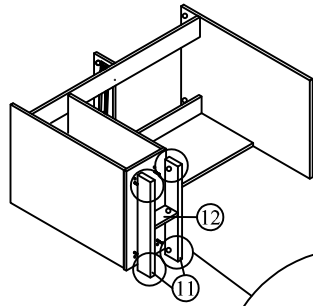


**Assemble left leg (11), secure with Minifix as shown.*

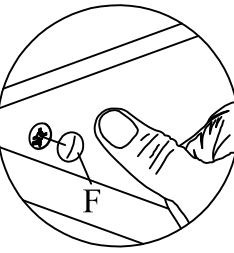
Step 12



Step 13



*Assemble left/right panel (11), (12) secure with Minifix as shown.



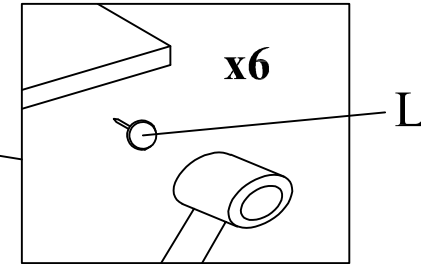
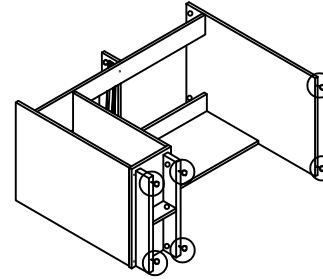
*Attach Minifix Cap as shown.

This is how a mini fix works...



The head of the mini fix housing goes into the open mouth of the mini fix bolt. You then turn the mini fix housing so it tightens over the mini fix bolt.

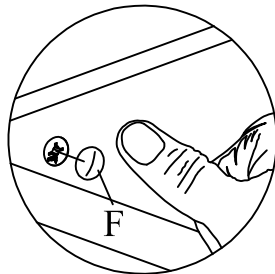
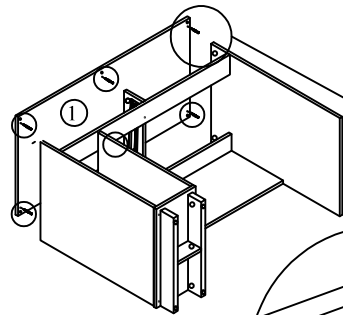
Step 14



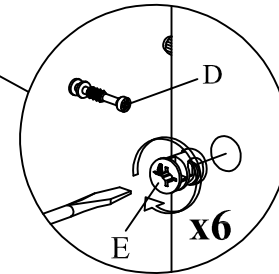
x6

L

Step 15



*Attach Minifix Cap as shown.



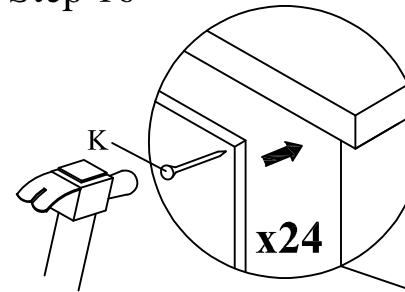
*Assemble top panel (1), secure with Minifix as shown.

This is how a mini fix works...

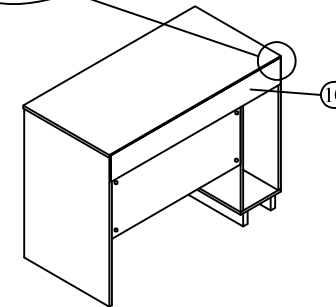


The head of the mini fix housing goes into the open mouth of the mini fix bolt. You then turn the mini fix housing so it tightens over the mini fix bolt.

Step 16



x24



Back View