

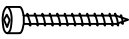




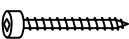
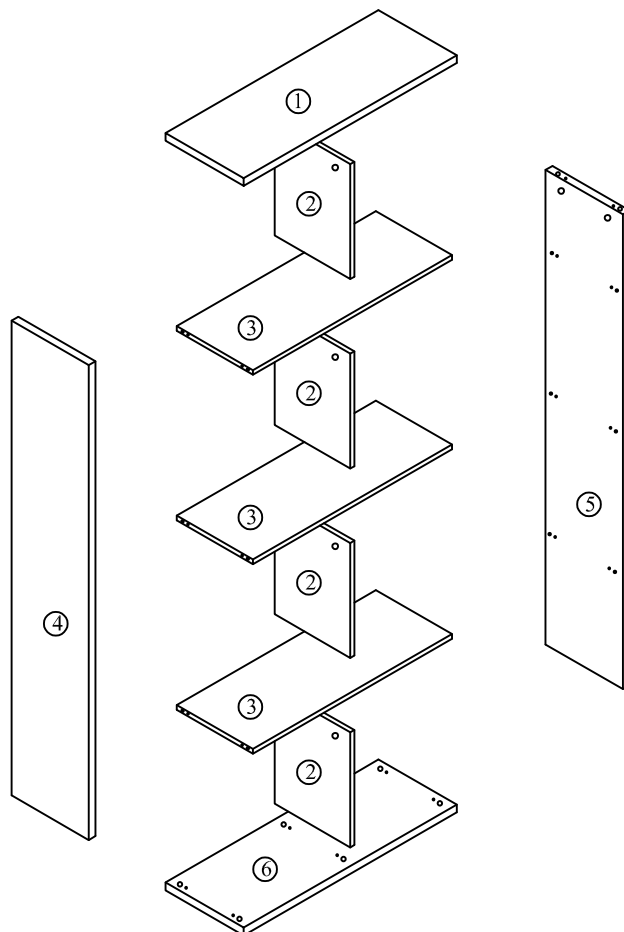
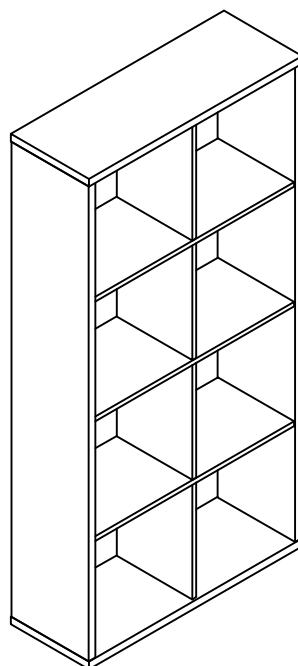


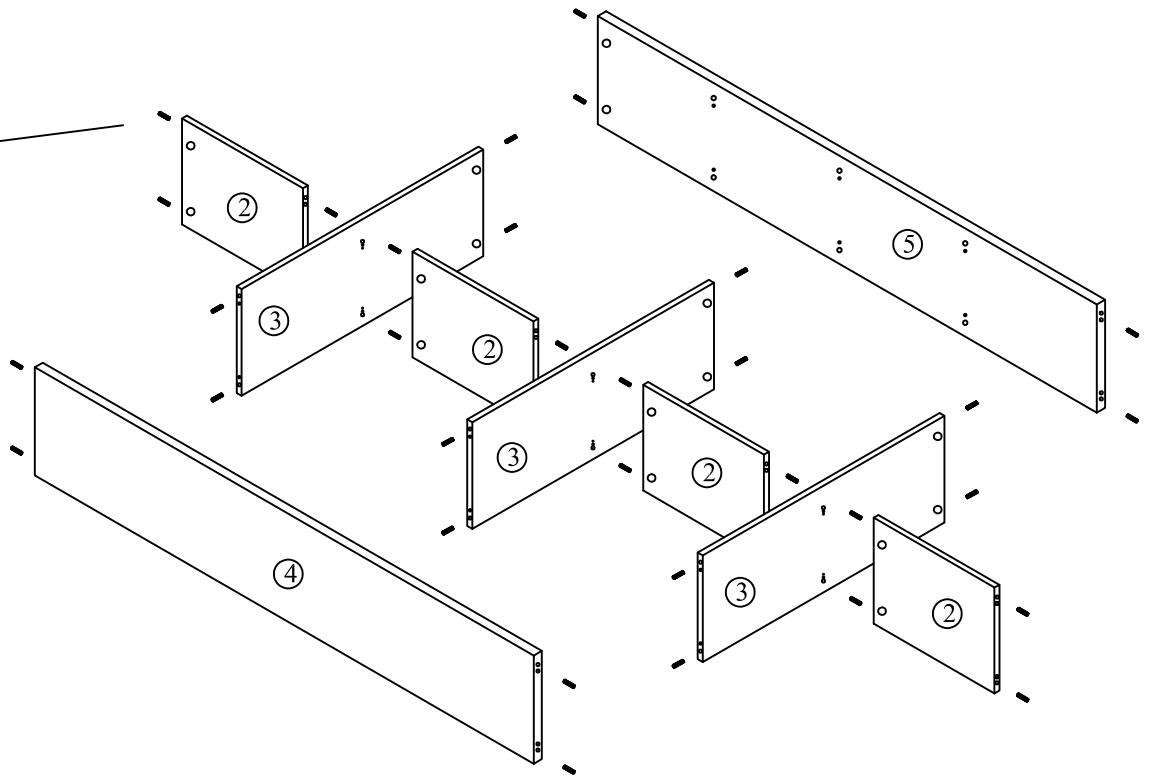
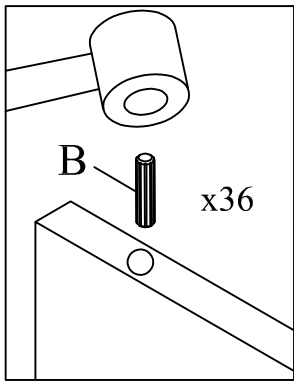
Assembly Instructions

Part List		QTY
1	Top Panel	1
2	Vertical (small) Panel	4
3	Vertical (big) Panel	3
4	Left Side Panel	1
5	Right Side Panel	1
5	Bottom Panel	1

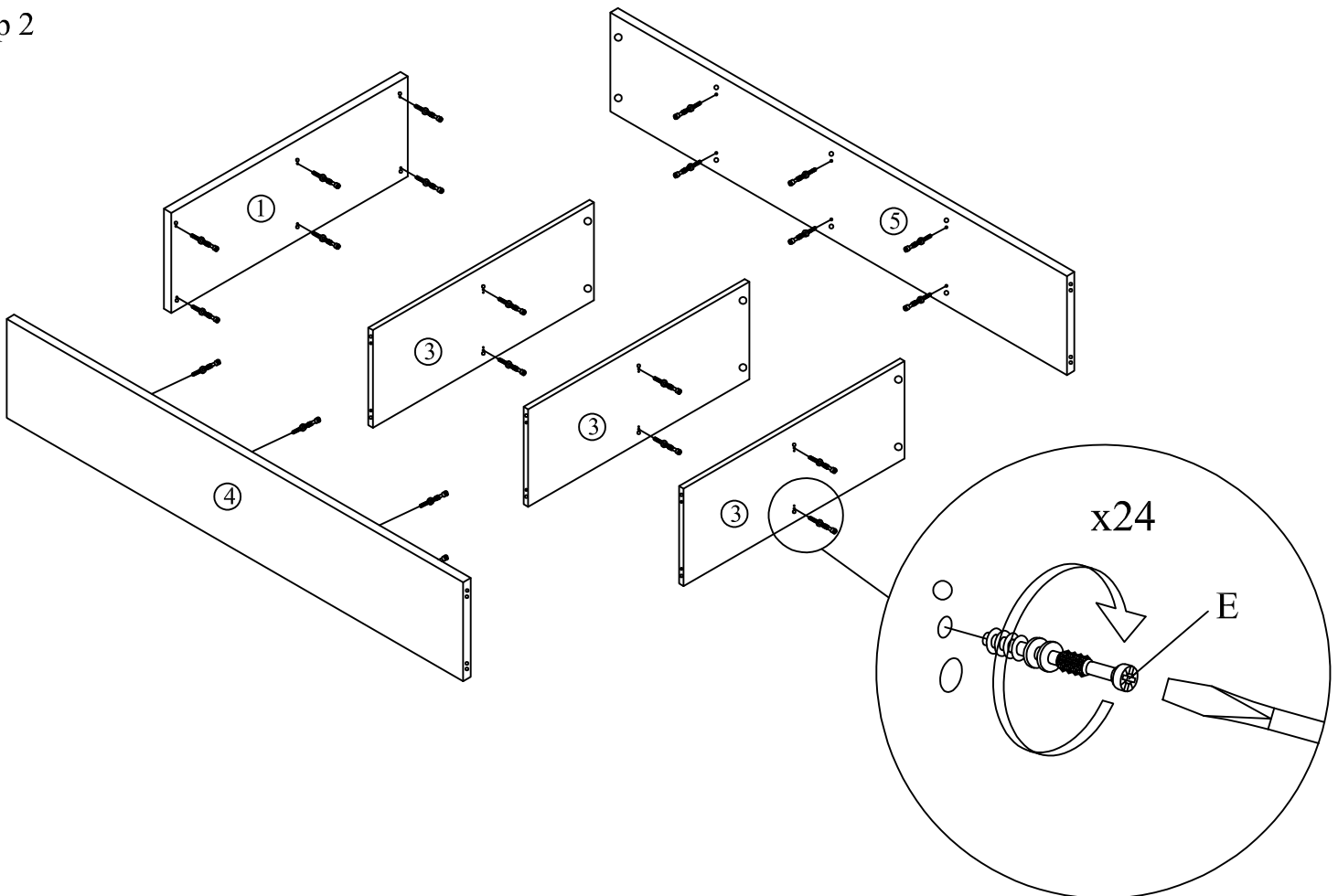
Hardware		QTY
A	Allen Key M4 	1
B	Dowel 	36
C	JCBC W Screw M6x40 	6
D	White Nail 	6
E	Mini Fix Bolt 	24
F	Mini Fix Housing 	24
G	Mini Fix Cap 	24
H	JCBC W Screw M6x50 	6



Step 1

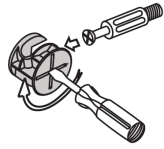


Step 2



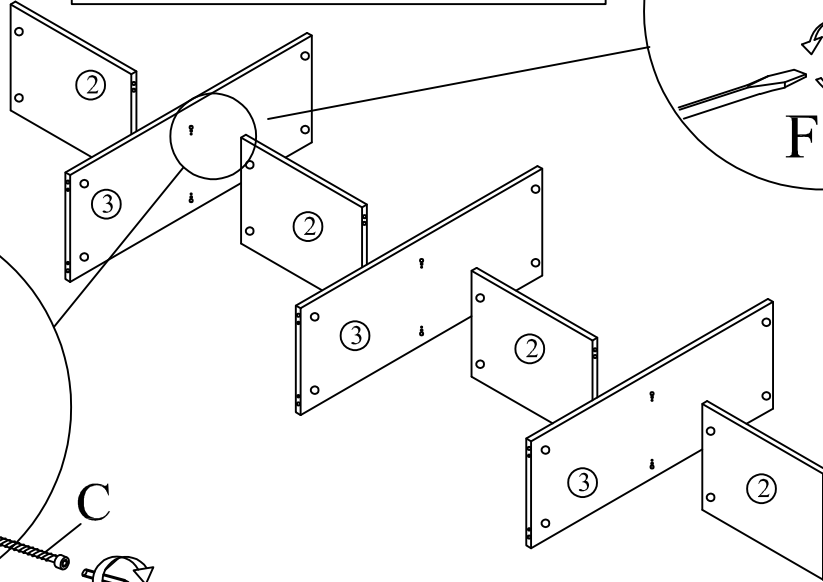
Step 3

This is how a mini fix works...



The head of the mini fix housing goes into the open mouth of the mini fix bolt. You then turn the mini fix housing so it tightens over the mini fix bolt.

**Assemble vertical (small) Panel and vertical (big) Panel, secure with Minifix as shown.*



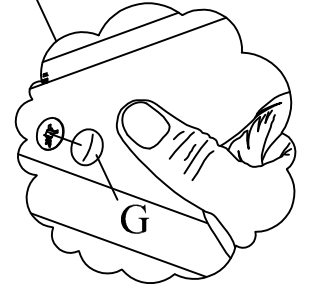
Step 3.2

Step 3.1

x6



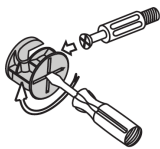
**Attach Minifix Cap as shown.*



Step 3.3

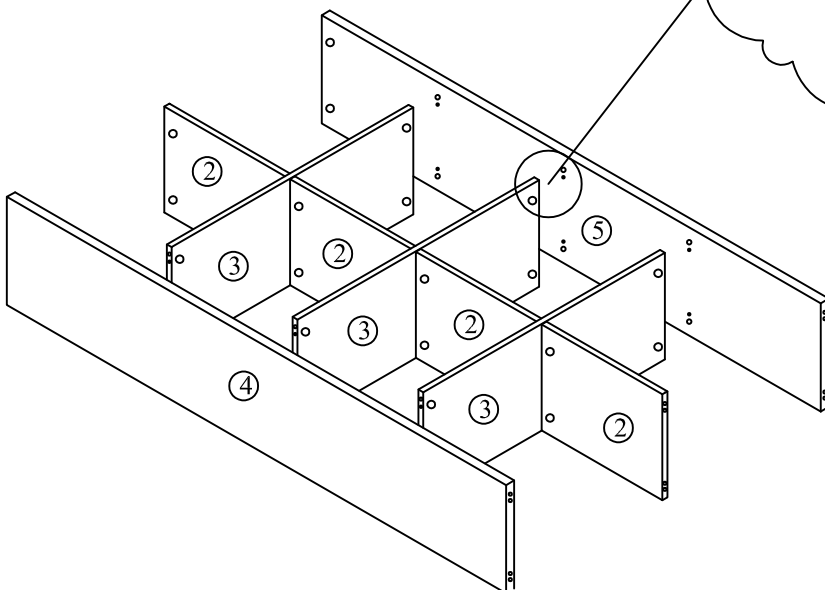
Step 4

This is how a mini fix works...

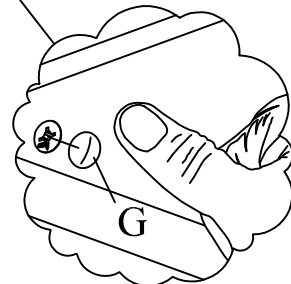


The head of the mini fix housing goes into the open mouth of the mini fix bolt. You then turn the mini fix housing so it tightens over the mini fix bolt.

**Assemble left size panel and right size panel, with Minifix as shown.*

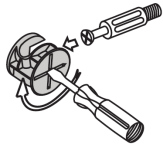


**Attach Minifix Cap as shown.*



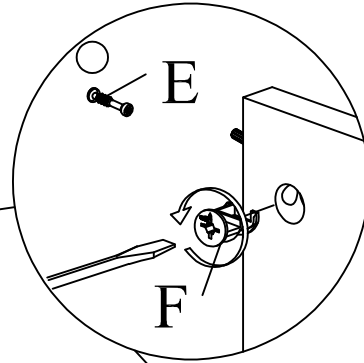
Step 5

This is how a mini fix works...

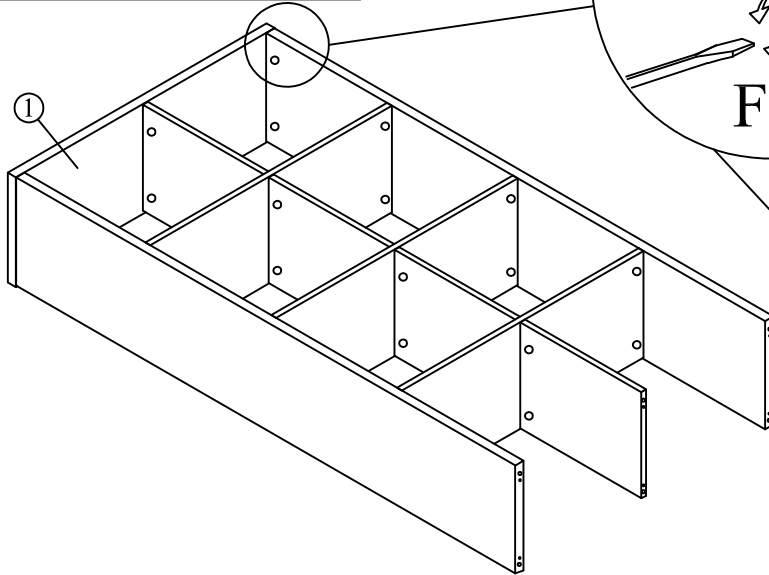
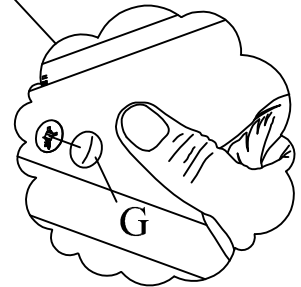


The head of the mini fix housing goes into the open mouth of the mini fix bolt. You then turn the mini fix housing so it tightens over the mini fix bolt.

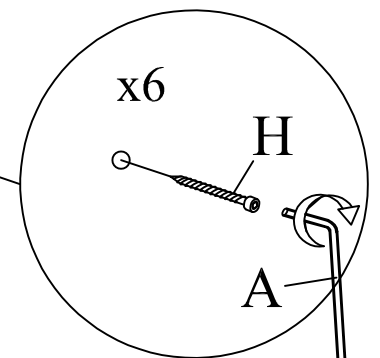
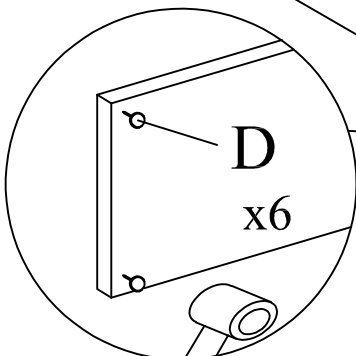
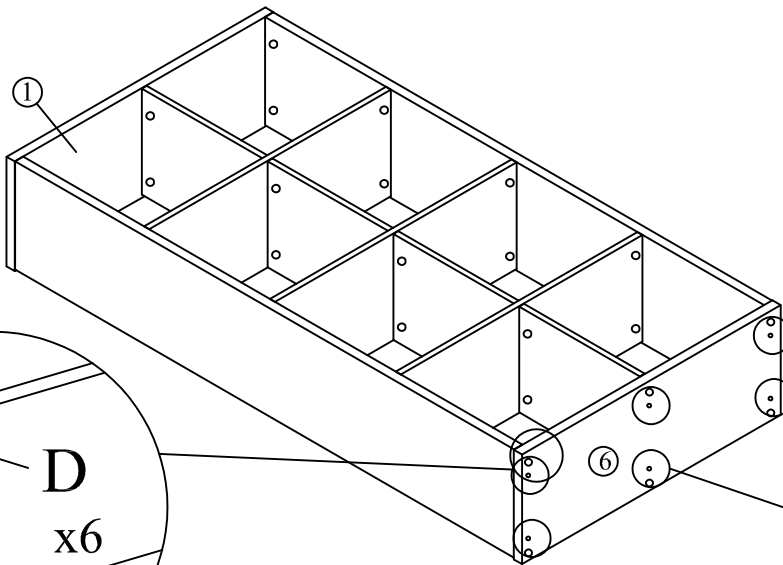
**Assemble top panel, secure with Minifix as shown.*



**Attach Minifix Cap as shown.*



Step 6



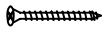
Anti -
Tapping

(A)



CSK Screw
M3.5x16mm
1PC

(B)



CSK Screw
M4x50mm
1PC

(C)



L BRACKET
2PCS

(D)



CABLE TIE
1PC

