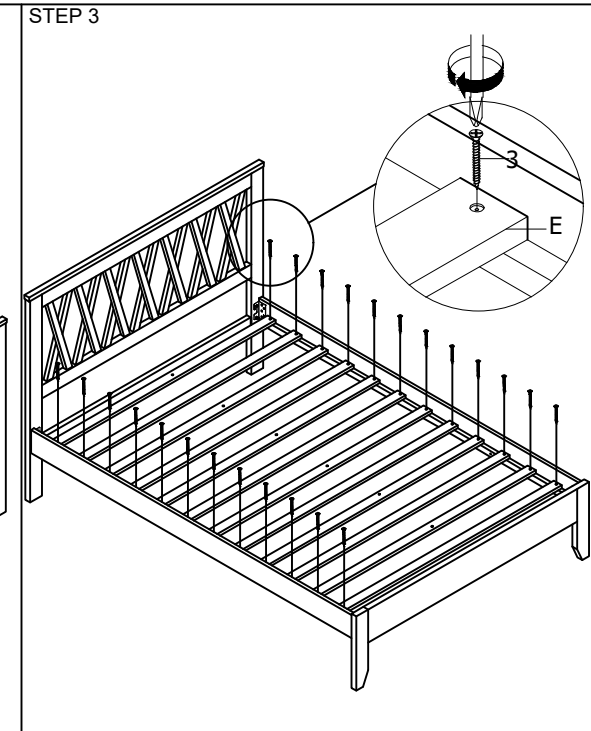
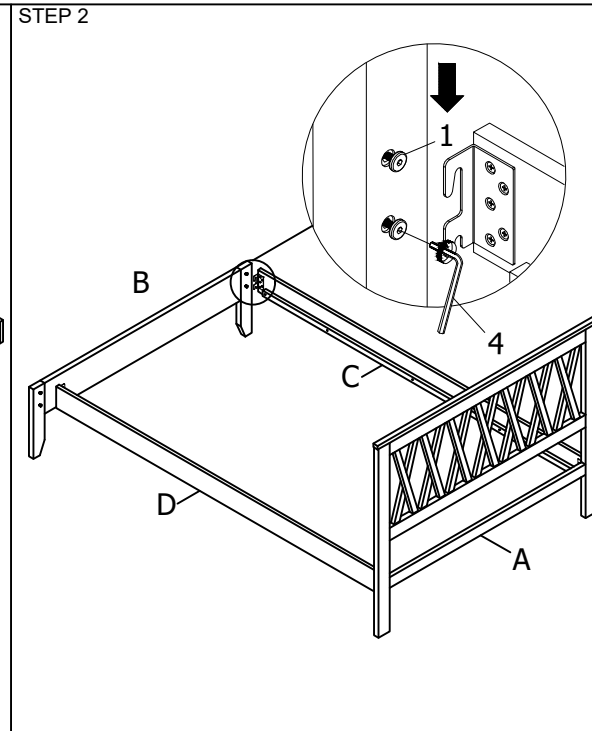
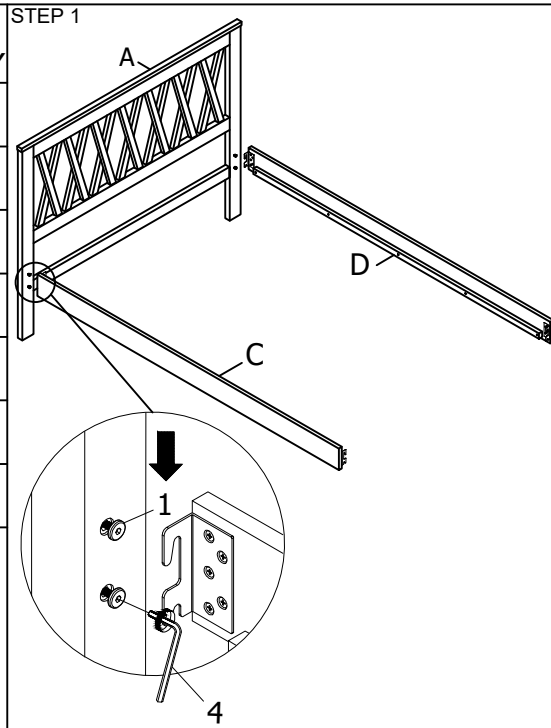


ASSEMBLY INSTRUCTION

NO	PART LIST	QTY
A	HEADBOARD	1
B	FOOTBOARD	1
C	SIDE RAIL (Left)	1
D	SIDE RAIL (Right)	1
E	SLAT	12
F	CENTER SUPPORT	1
G	CENTER LEG	3



NO	HARDWARE LIST	QTY
1	JCBB M8 x 16mm	8
2	JCBC M6 x 70mm	3
3	CSK M4 x 25mm	33
4	ALLEN KEY M5	1
5	ALLEN KEY M4	1
6	BASED GLIDE	3
7	BARREL NUT	3

