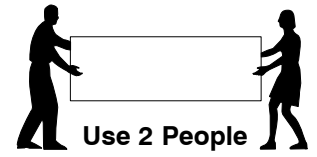
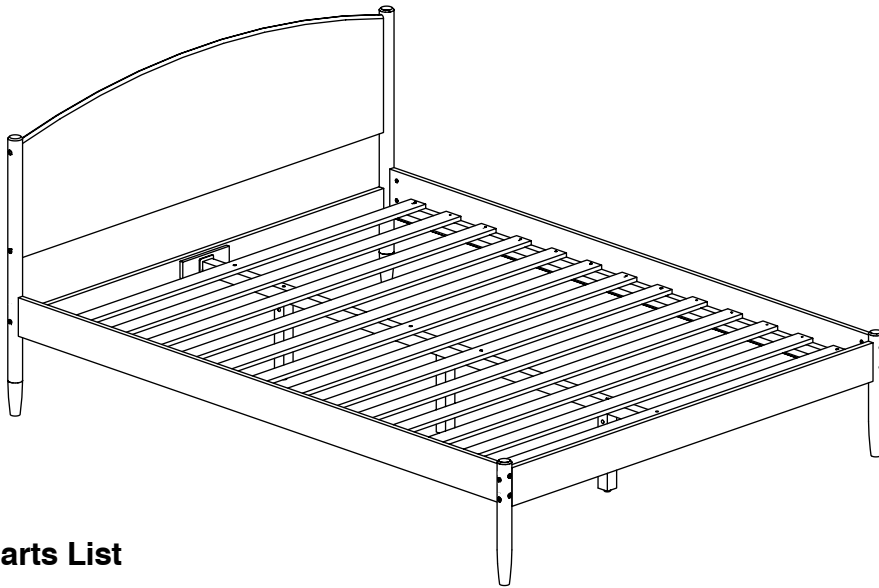


Queen Bed

Assembly Instructions

W11-0419

1 Assembled View



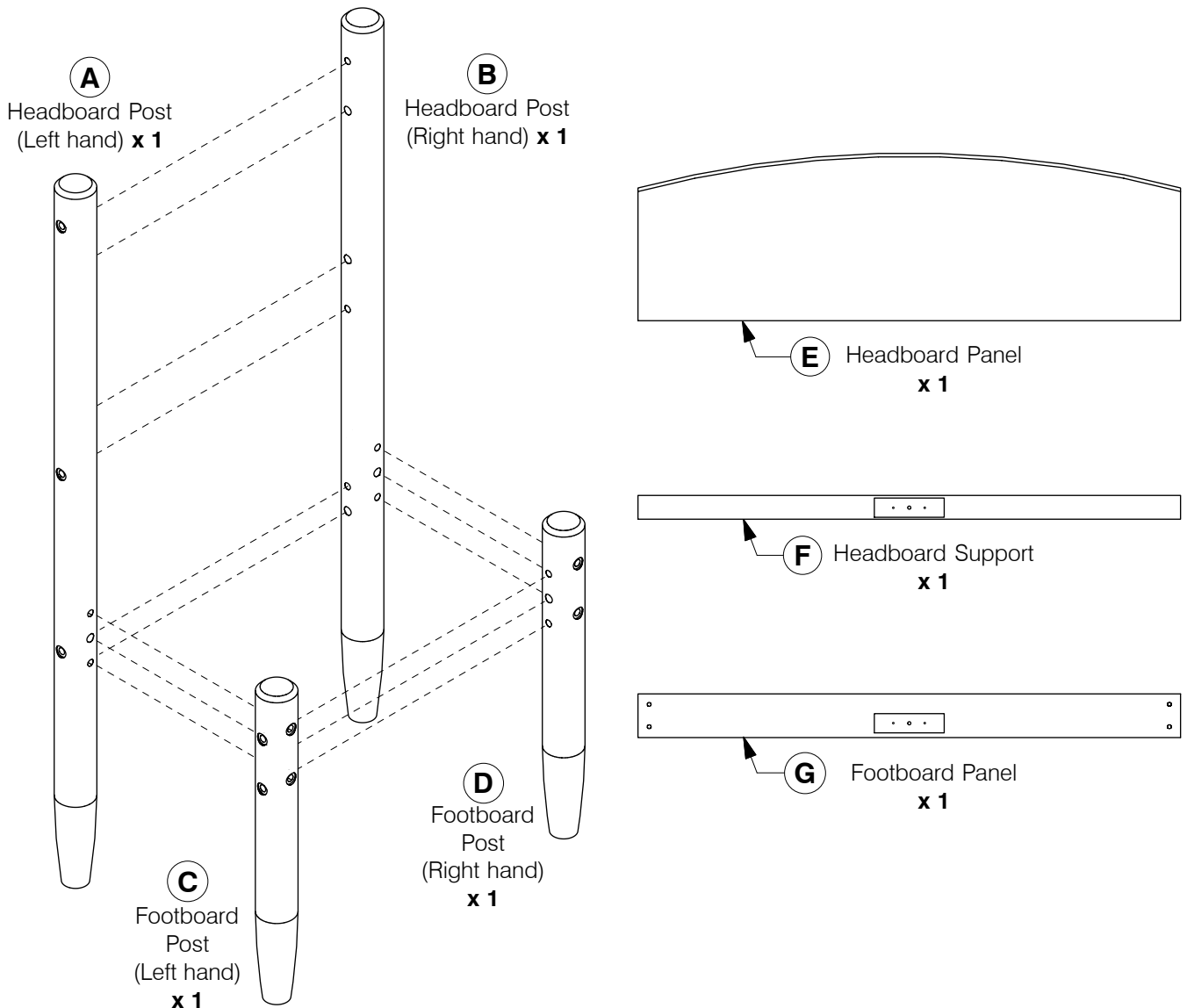
Use 2 People



Note: Do not assemble using power tools. This can cause the bolts to be overtightened

2 Parts List

Parts in Box A:



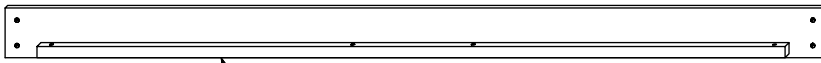
Queen Bed

Assembly Instructions

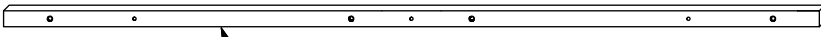
WII-0419

2 Parts List

Parts in Box B:



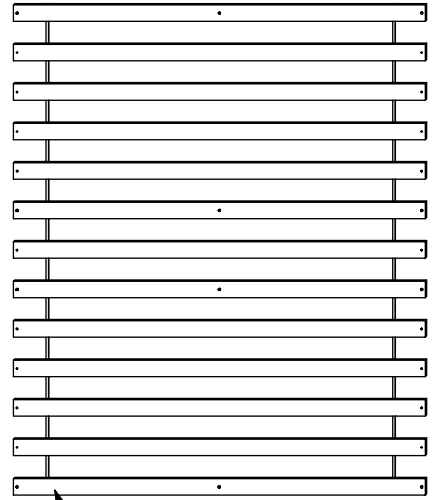
H Side Rail x 2



J Long Support x 1



K Support Leg x 3

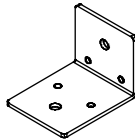


L Set of Bed Slats x 1

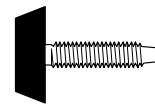
3 Hardware List



1 M4 Allen Key x 1



2 Center Rail Bracket x 2



3 Adjustable Foot x 3



4 Wood Screw (M4 x 32mm) x 18



5 Wood Dowel (10 x 40mm) x 12



6 Barrel Nut x 21



7 M6 x 15mm JCB x 4

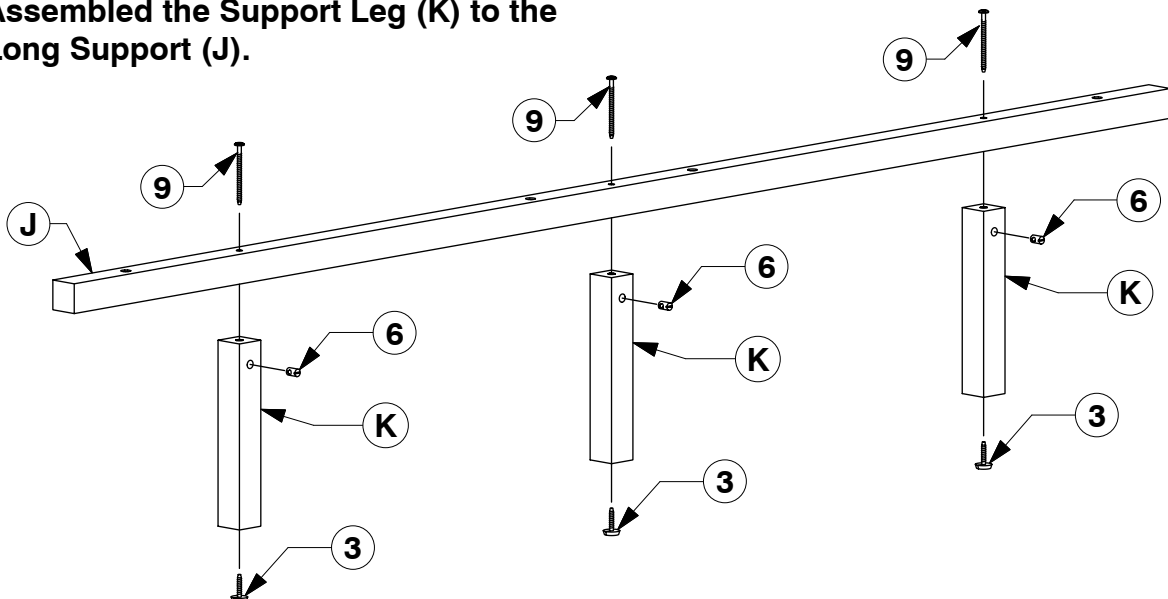


8 M6 x 40mm JCB x 12



9 M6 x 90mm JCB x 21

4 Assembled the Support Leg (K) to the Long Support (J).

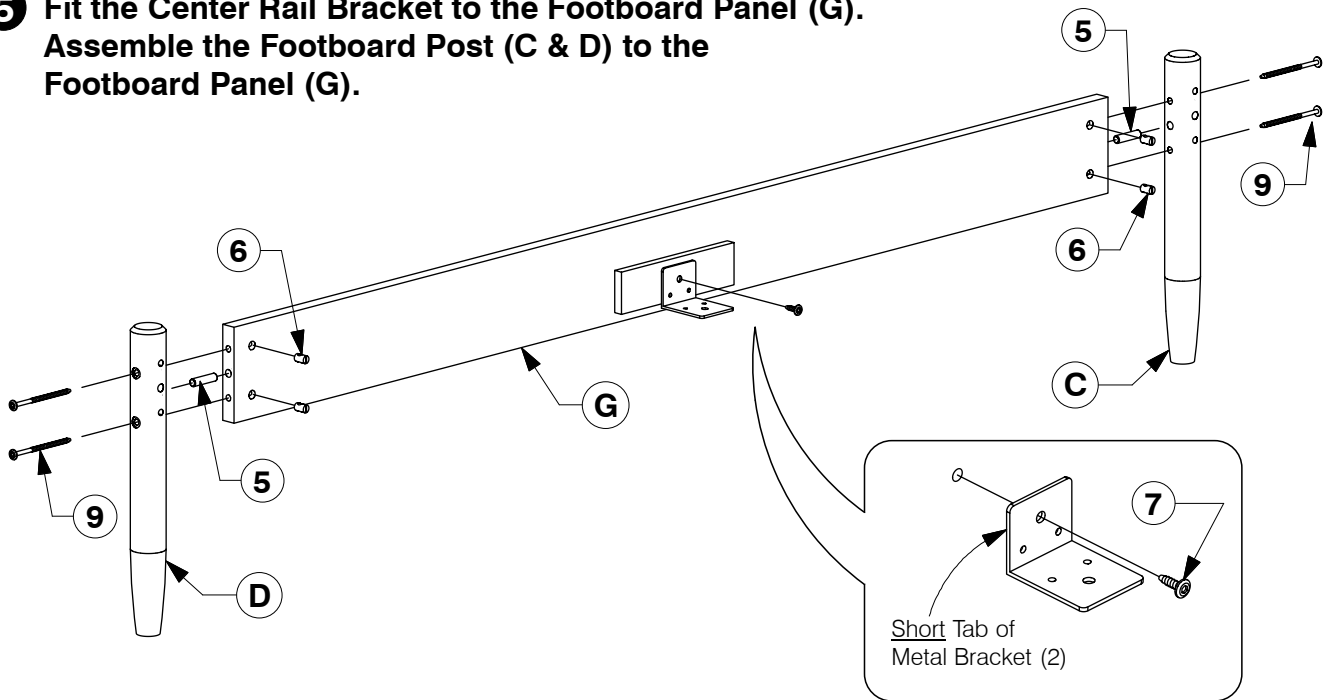


Queen Bed

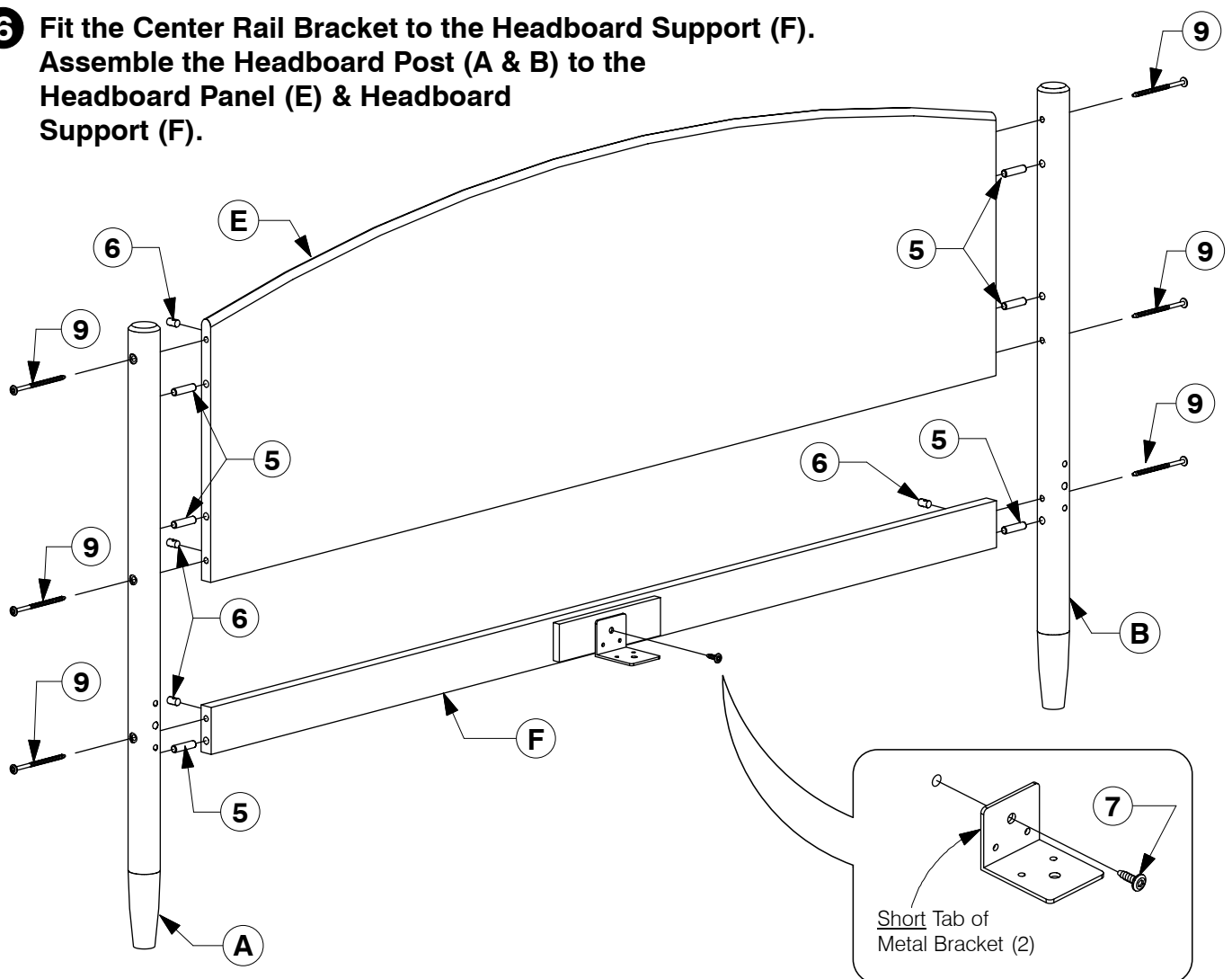
Assembly Instructions

WII-0419

- 5** Fit the Center Rail Bracket to the Footboard Panel (G).
Assemble the Footboard Post (C & D) to the
Footboard Panel (G).



- 6** Fit the Center Rail Bracket to the Headboard Support (F).
Assemble the Headboard Post (A & B) to the
Headboard Panel (E) & Headboard
Support (F).

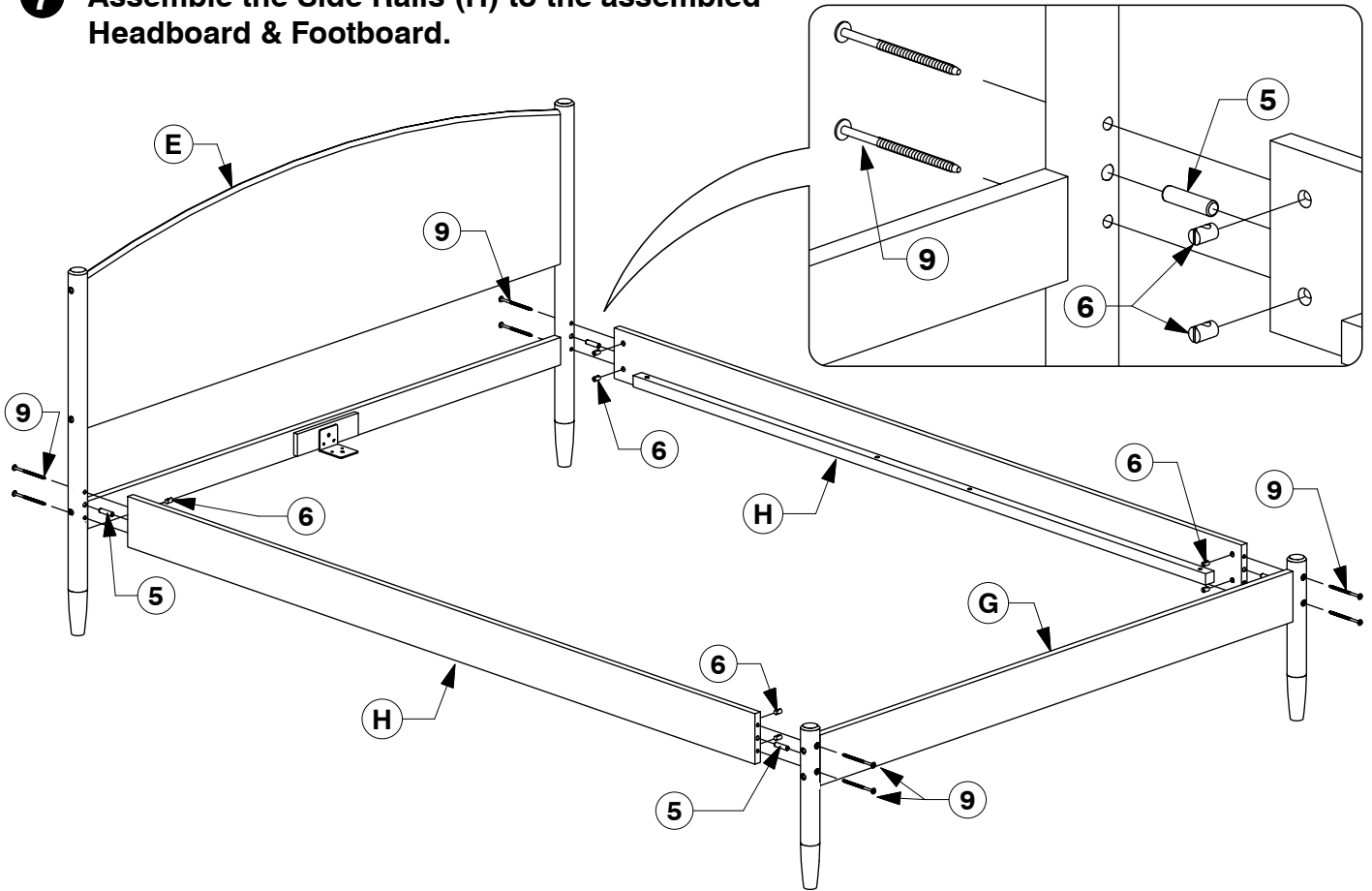


Queen Bed

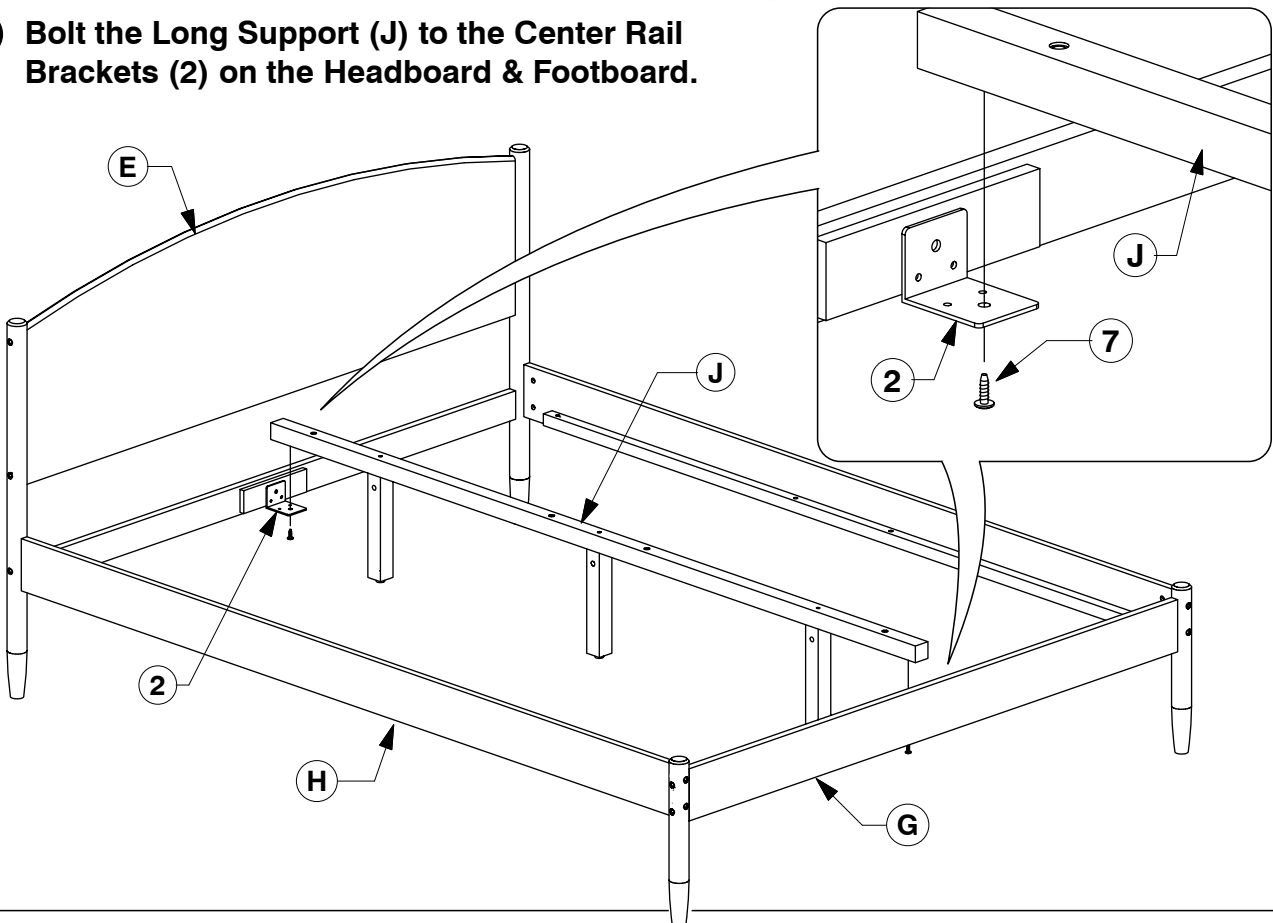
Assembly Instructions

WII-0419

7 Assemble the Side Rails (H) to the assembled Headboard & Footboard.



8 Bolt the Long Support (J) to the Center Rail Brackets (2) on the Headboard & Footboard.

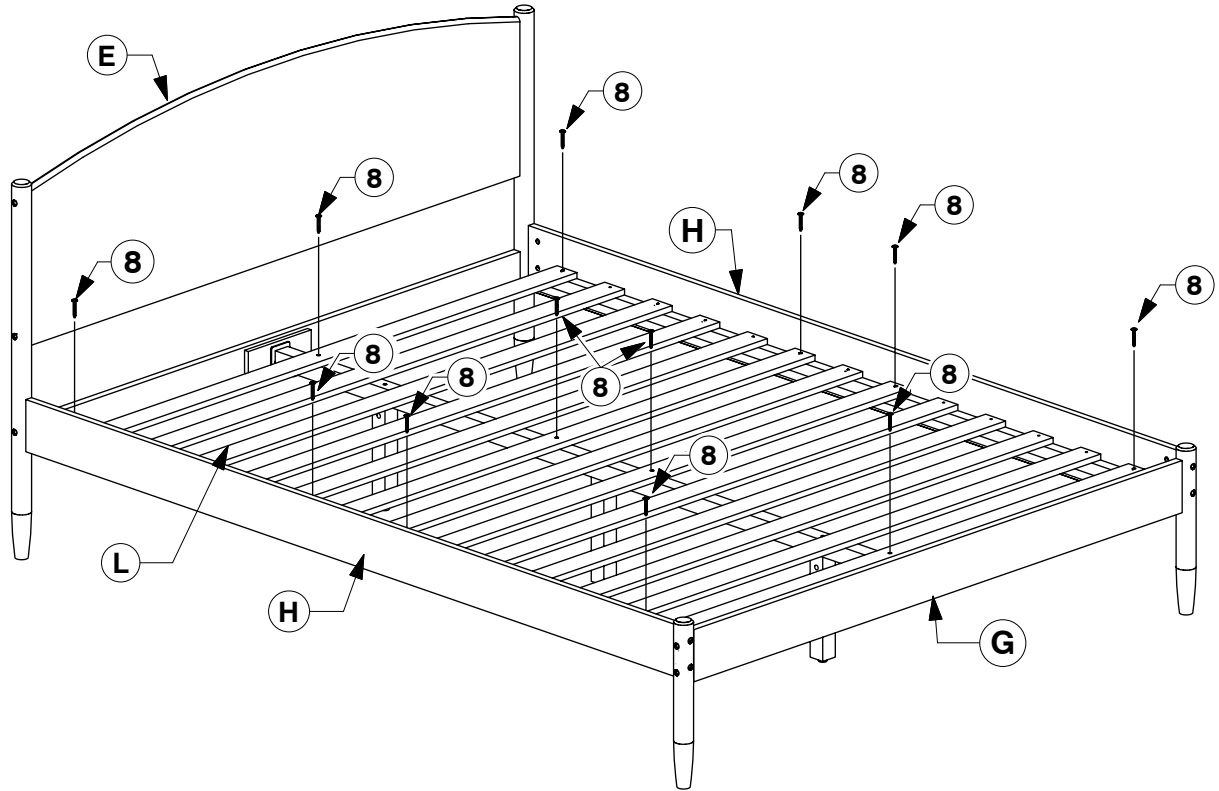


Queen Bed

Assembly Instructions

W11-0419

- 9 Bolt the Bed Slats (L) to the Side Rail (H).**



- 10 Screw the Bed Rails (L) to the Side Rail (H).**

