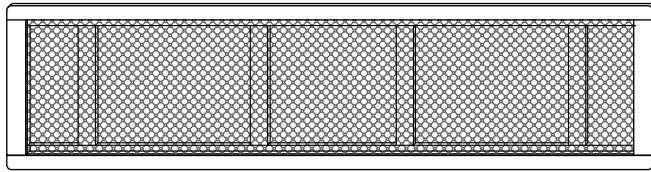


King Headboard

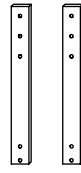
Assembly Instructions

WII-0419

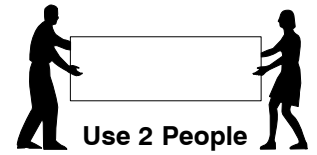
1 Parts List



A Headboard Panel x 1



B Support Bar x 2



2 Hardware List



1 M6 x 35mm JCB x 6



2 Spring Washer x 6



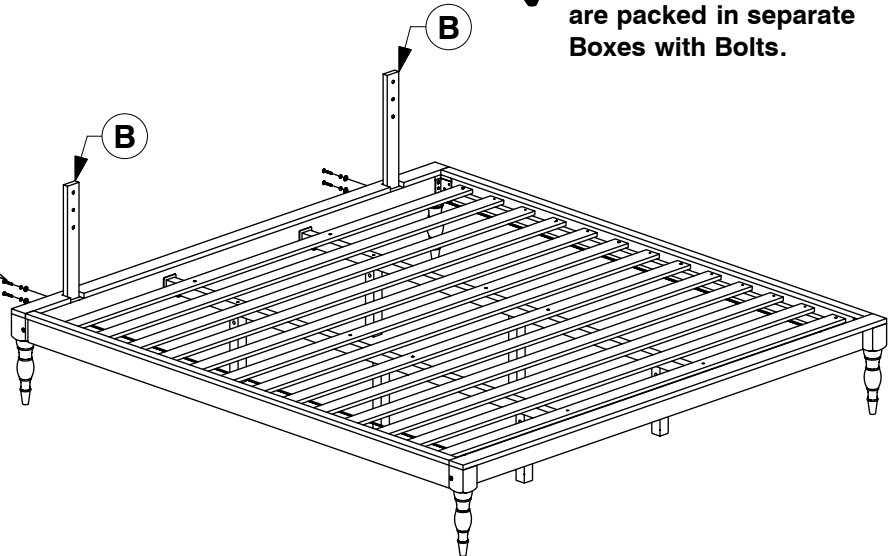
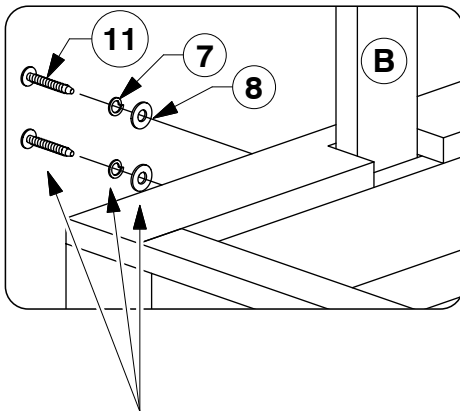
3 Flat Washer x 6



4 Allen Key x 1

Note: Do not assemble using power tools. This can cause the bolts to be overtightened

3 Assemble the Support Bars (B) to the Headboard Panel.



✓ Footboard, Rails & Slats are packed in separate Boxes with Bolts.

Note: Bolts & Washers from Footboard, Rails & Slats Box.

4 Assemble the Headboard Panel (A) to the Support Bars (B).

