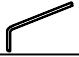

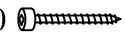



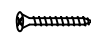
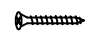
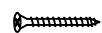
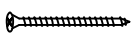

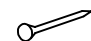



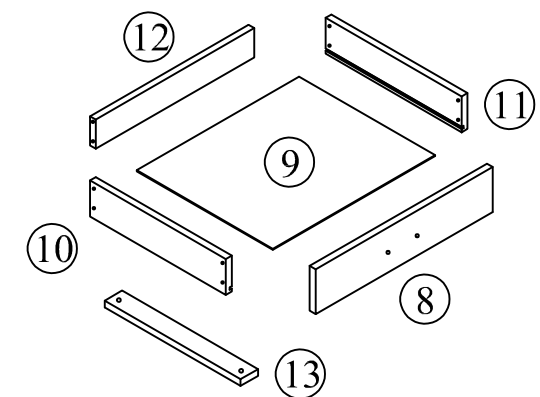
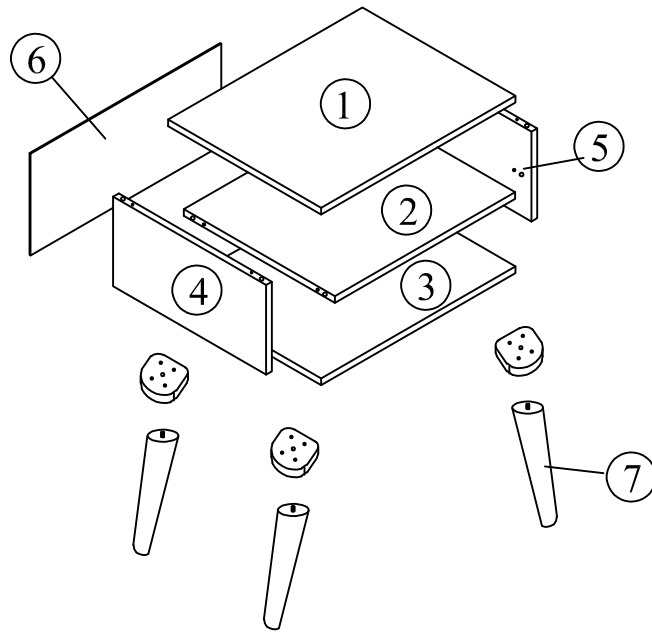
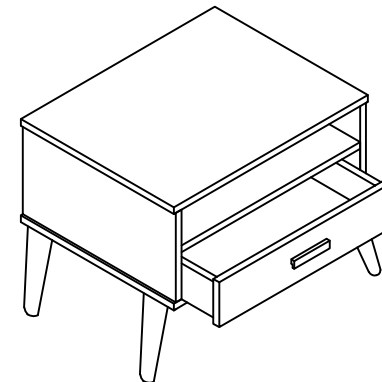


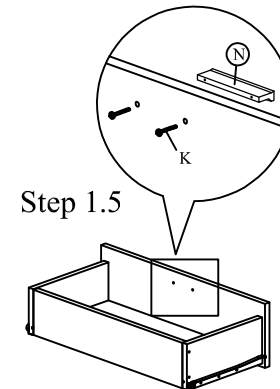
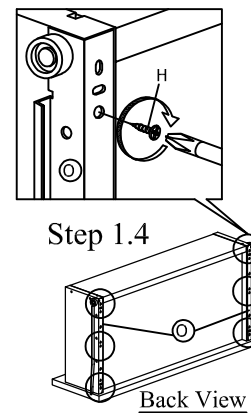
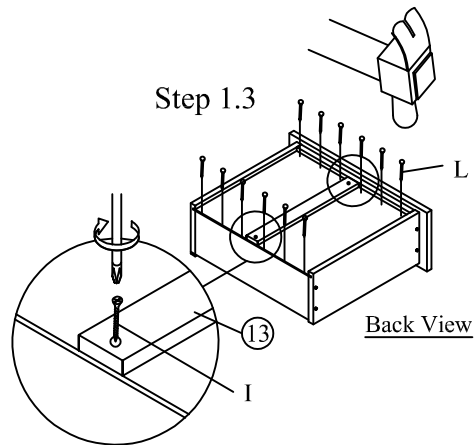
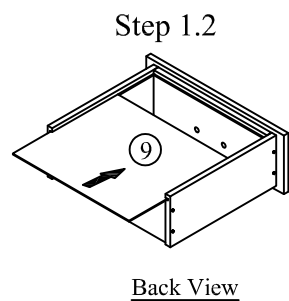
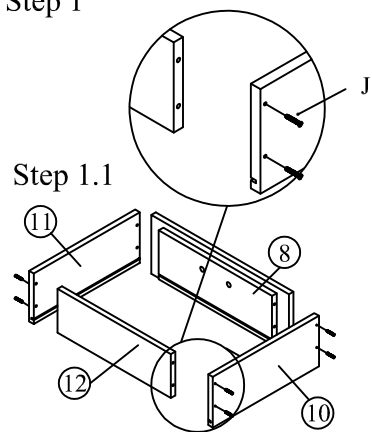
# Assembly Instructions

Part List	QTY	Part List	QTY	Part List	QTY
1 Top Panel	1	6 Back Panel	1	11 DR Right Side Panel	1
2 Middle Panel	1	7 Legs	4	12 DR Back Panel	1
3 Bottom Panel	1	8 DR Front Panel	1	13 DR Bottom Panel	1
4 Left Side Panel	1	9 DR Middle Panel	1		
5 Right Side Panel	1	10 DR Left Side Panel	1		

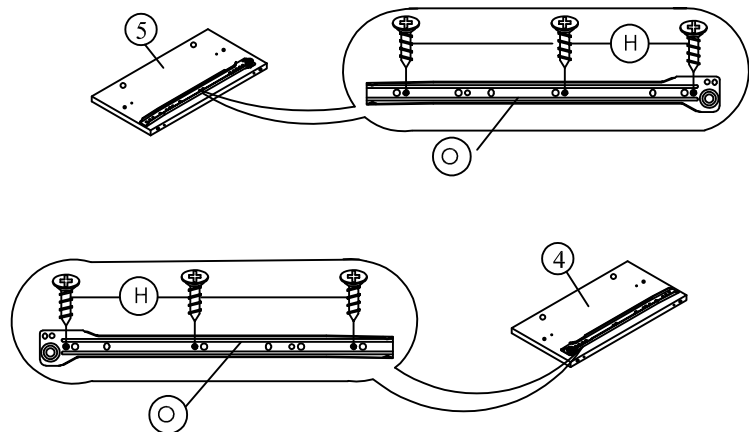
Hardware	QTY
A Allen Key M4 	1
B Dowel 	12
C JCBC W Screw M6x40 	4
D Mini Fix Bolt 	8
E Mini Fix Housing 	8
F Mini Fix Cap 	8
G CSK Screw M4x20mm 	16
H CSK Screw M3.5x16mm 	12
I CSK Screw M4x32mm 	2
J CSK Screw M4x50mm 	8
K Handle Screw 40mm 	2
L Power Nail 5/8 	18
M MT81 Support Leg 	4
N Handle 	1
O 14" Drawer Slide 	1 set



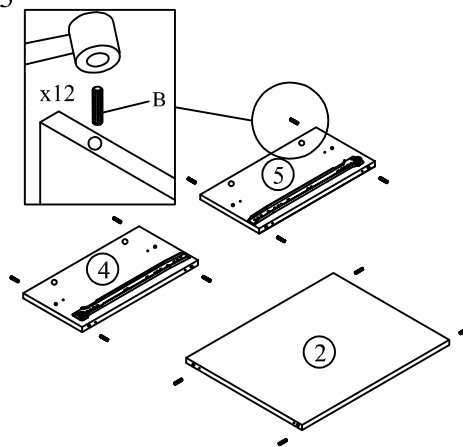
Step 1



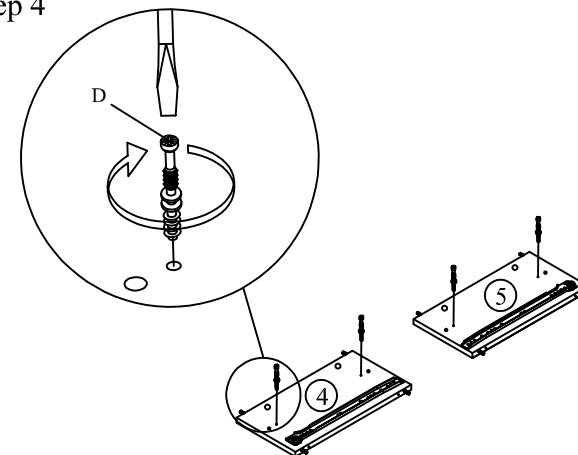
Step 2



Step 3

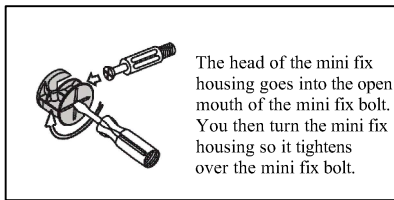
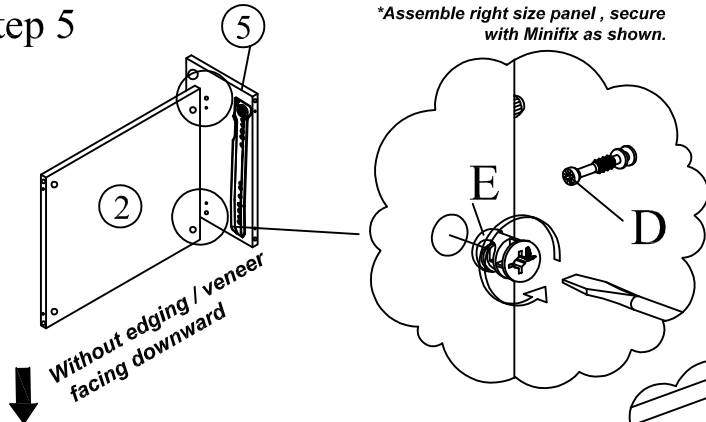


Step 4



### Step 5

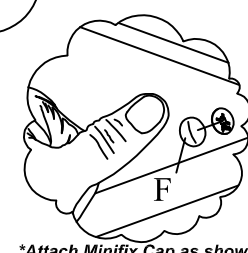
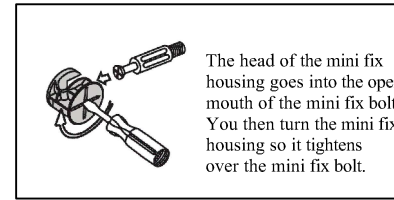
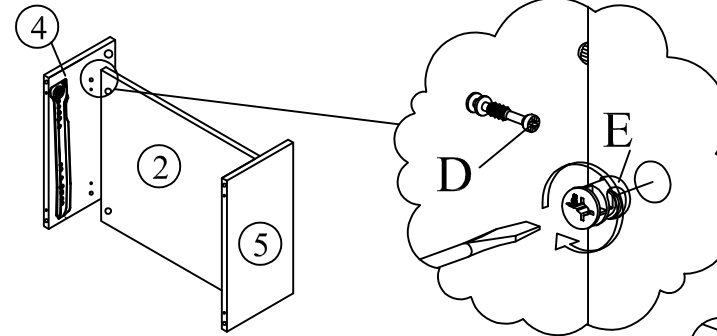
*\*Assemble right size panel , secure with Minifix as shown.*



*\*Attach Minifix Cap as shown.*

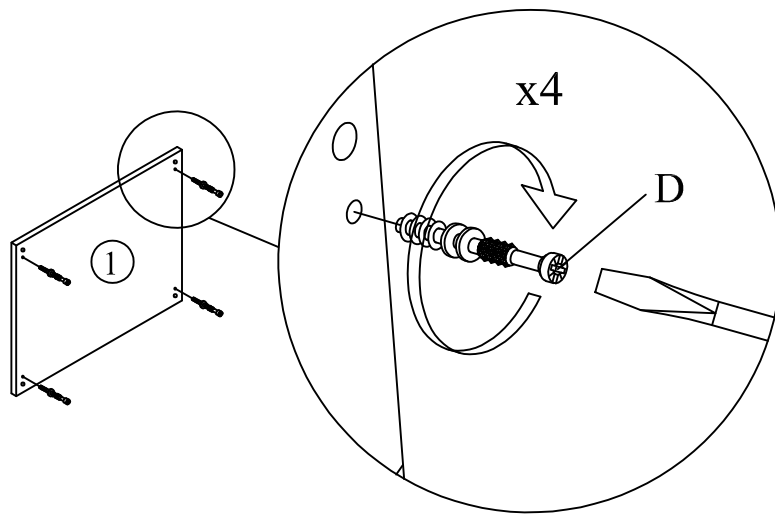
### Step 6

*\*Assemble right size panel , secure with Minifix as shown.*

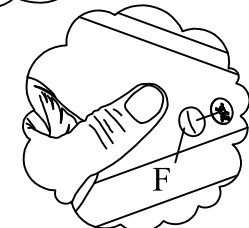
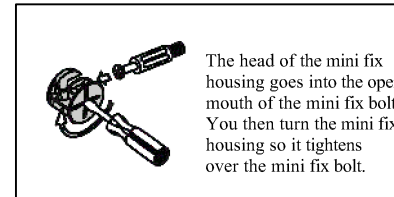
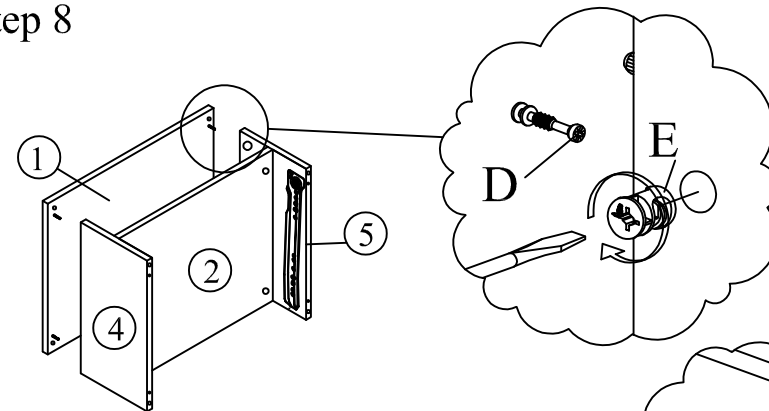


*\*Attach Minifix Cap as shown.*

### Step 7

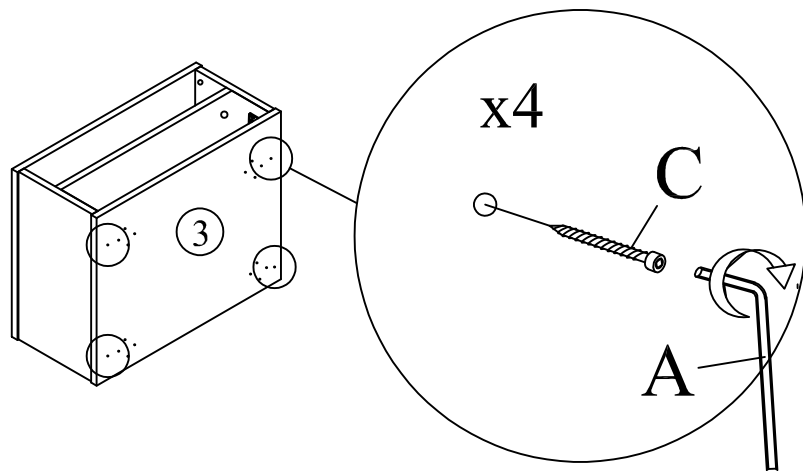


### Step 8

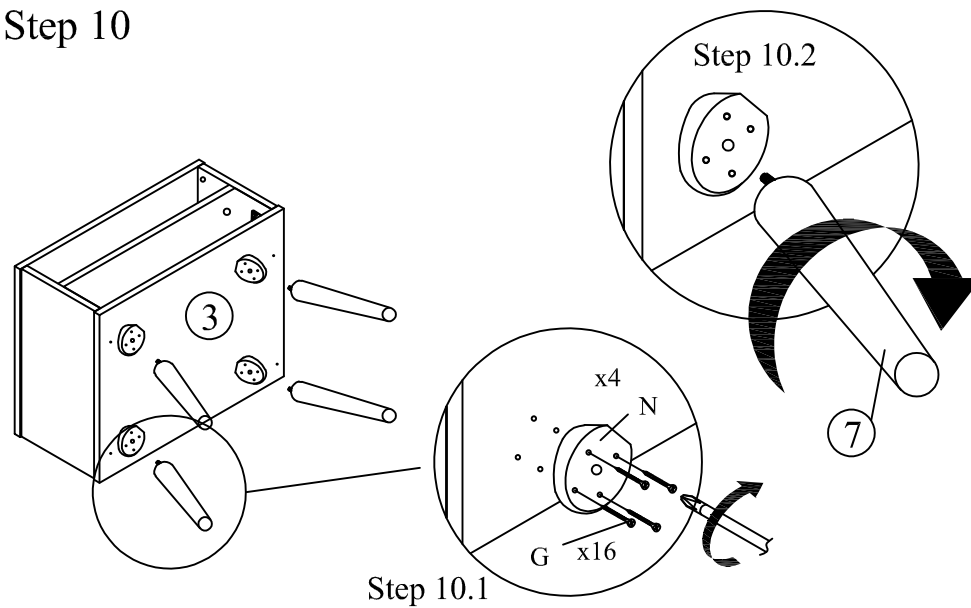


*\*Attach Minifix Cap as shown.*

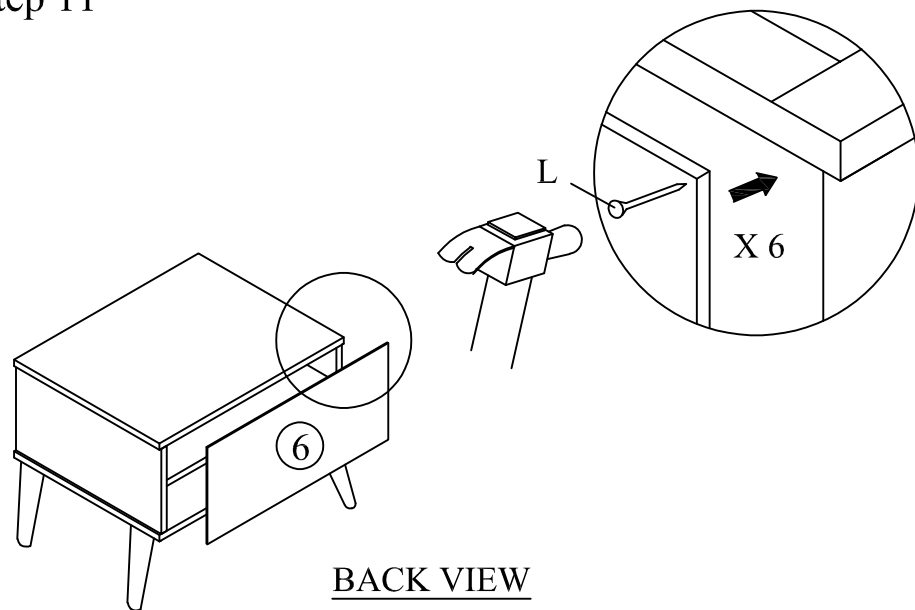
Step 9



Step 10



Step 11



Step 12

