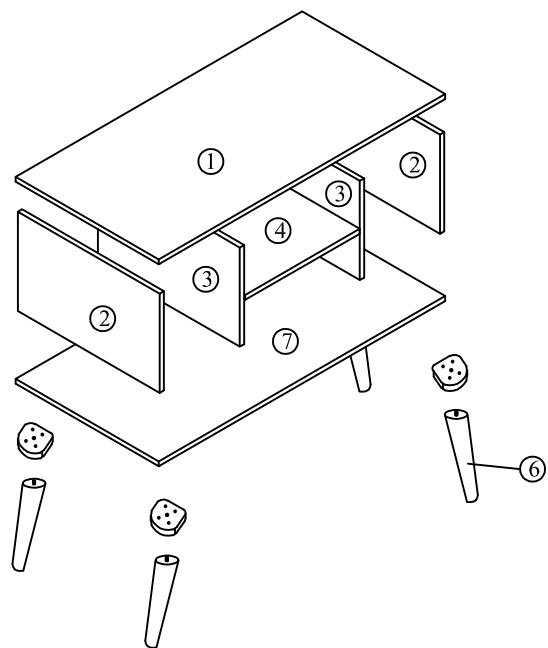
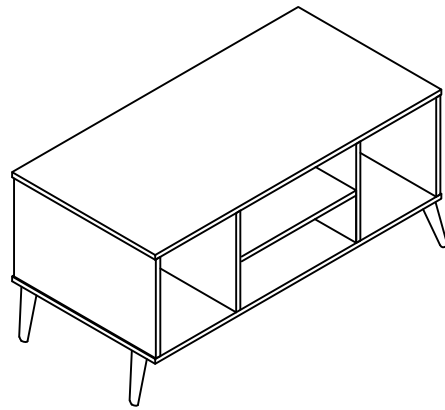
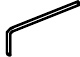

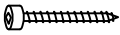



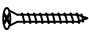



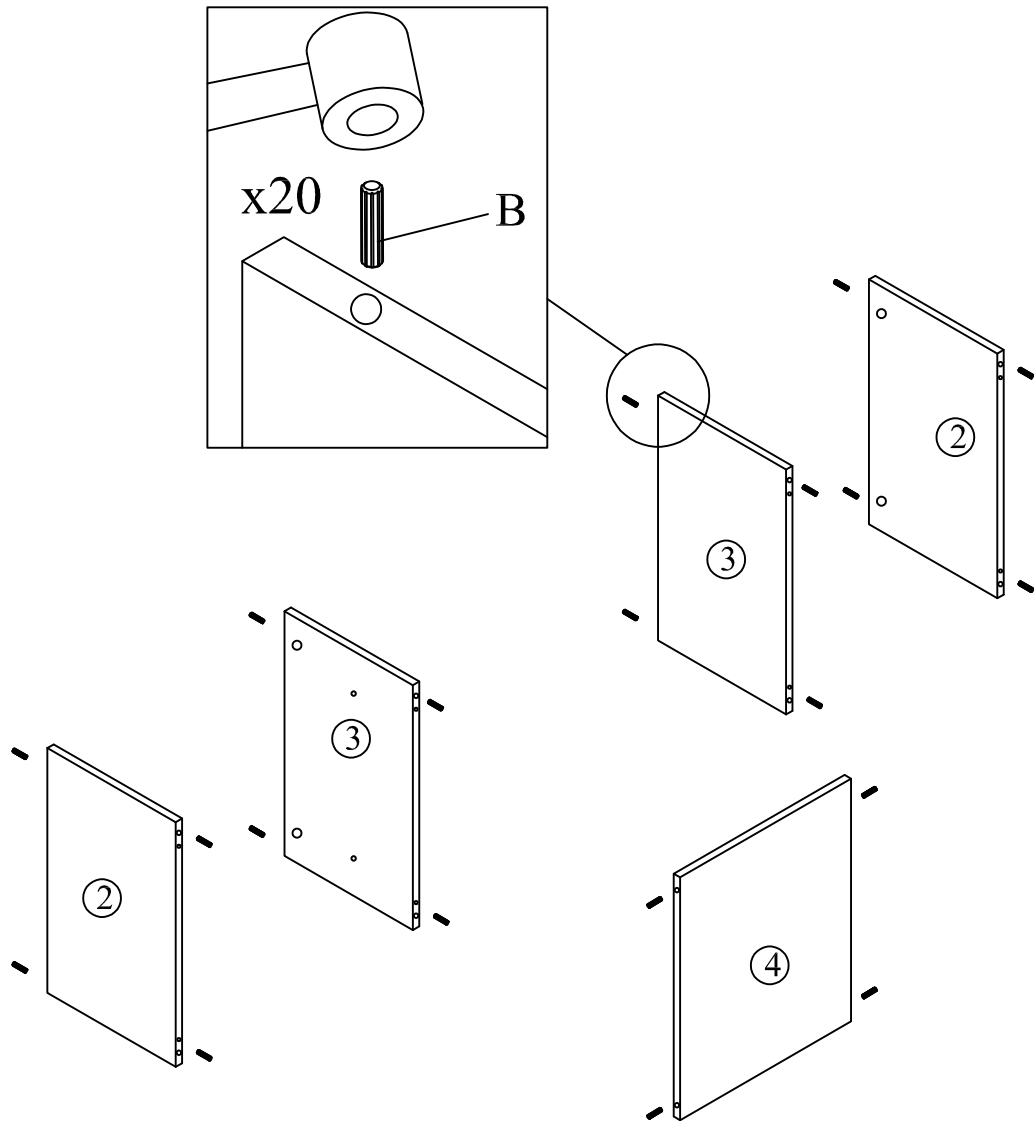
Assembly Instructions

Part List		QTY
1	Top Panel	1
2	Side Panel	1
3	Middle Panel	2
4	Center Middle Panel	1
5	Bottom Panel	1
6	Legs	4

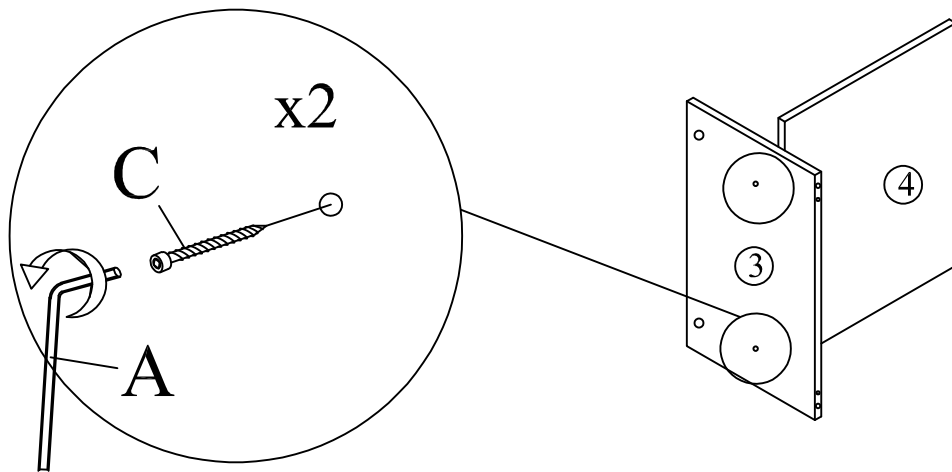


Hardware		QTY
A	Allen Key M4 	1
B	Wood Dowel 	20
C	JCBC W Screw M6x40 	12
D	Mini Fix Bolt 	8
E	Mini Fix Housing 	8
F	Mini Fix Cap 	8
G	CSK Screw M4x20mm 	16
H	MT81 Support Leg 	4

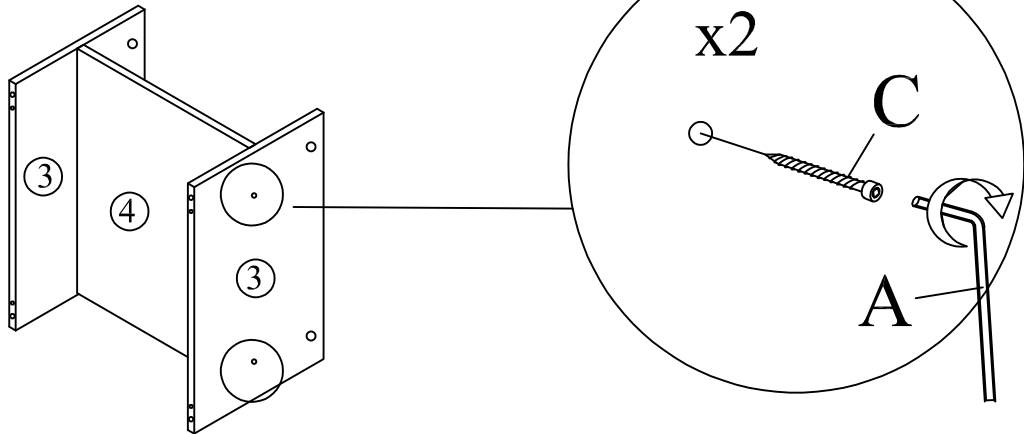
Step 1



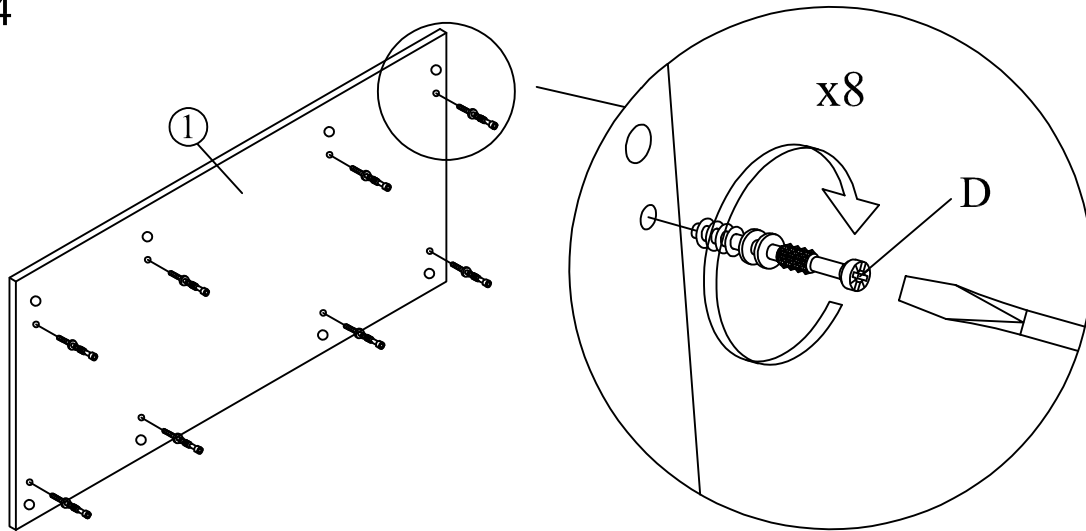
Step 2



Step 3

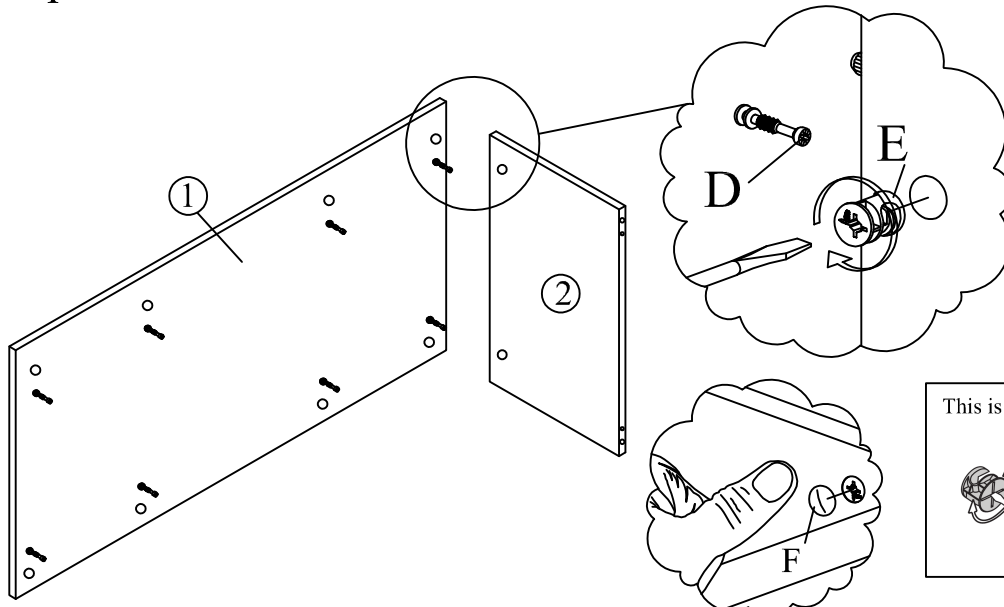


Step 4



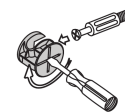
Step 5

**Assemble right size panel , secure with Minifix as shown.*



**Attach Minifix Cap as shown.*

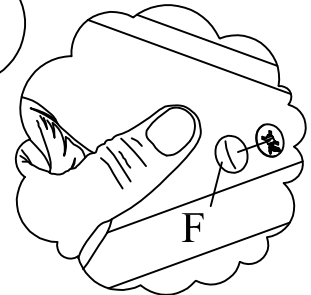
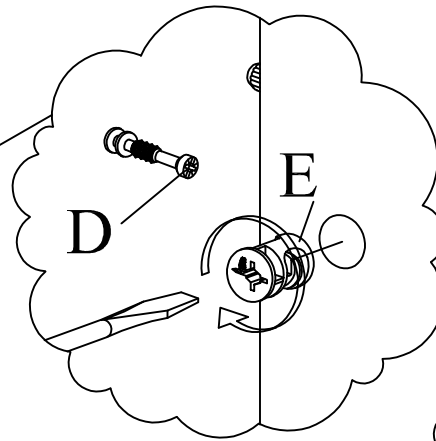
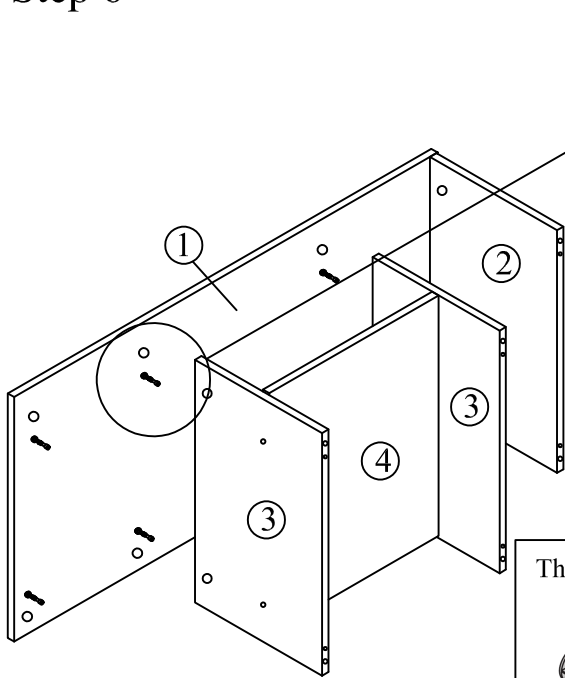
This is how a mini fix works...



The head of the mini fix housing goes into the open mouth of the mini fix bolt. You then turn the mini fix housing so it tightens over the mini fix bolt.

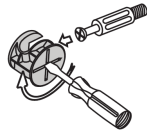
Step 6

**Assemble center middle panel , secure with Minifix as shown.*



**Attach Minifix Cap as shown.*

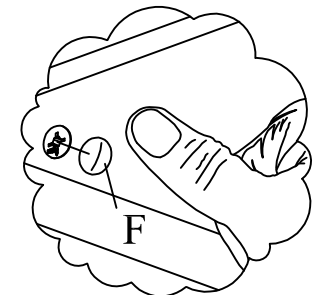
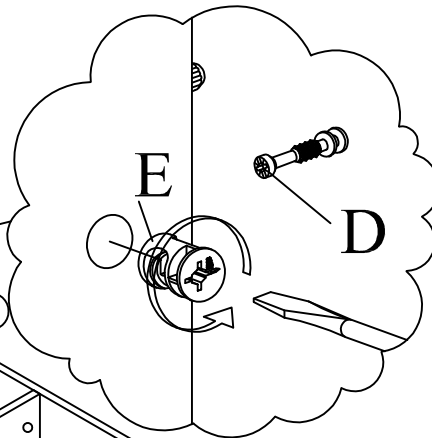
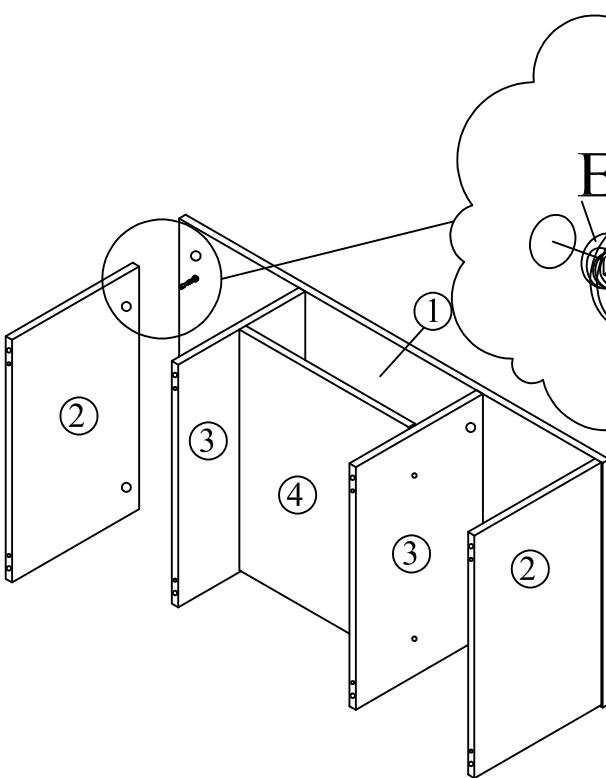
This is how a mini fix works...



The head of the mini fix housing goes into the open mouth of the mini fix bolt. You then turn the mini fix housing so it tightens over the mini fix bolt.

Step 7

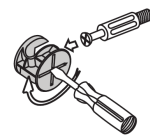
**Assemble left size panel , secure with Minifix as shown.*



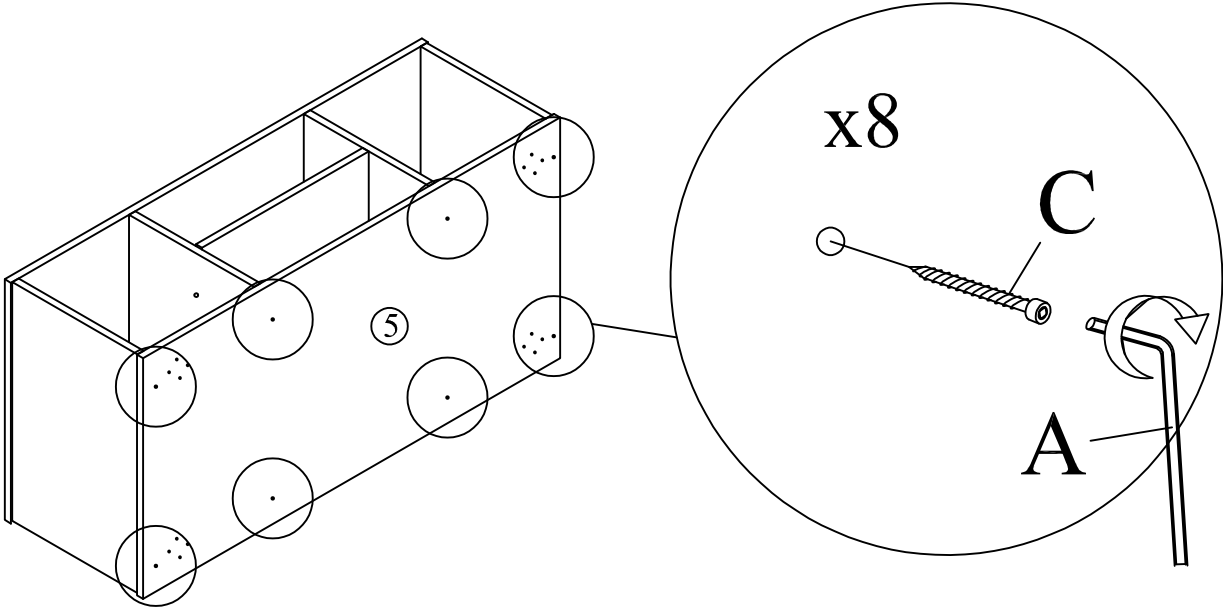
**Attach Minifix Cap as shown.*

This is how a mini fix works...

The head of the mini fix housing goes into the open mouth of the mini fix bolt. You then turn the mini fix housing so it tightens over the mini fix bolt.



Step 8



Step 9

