

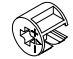



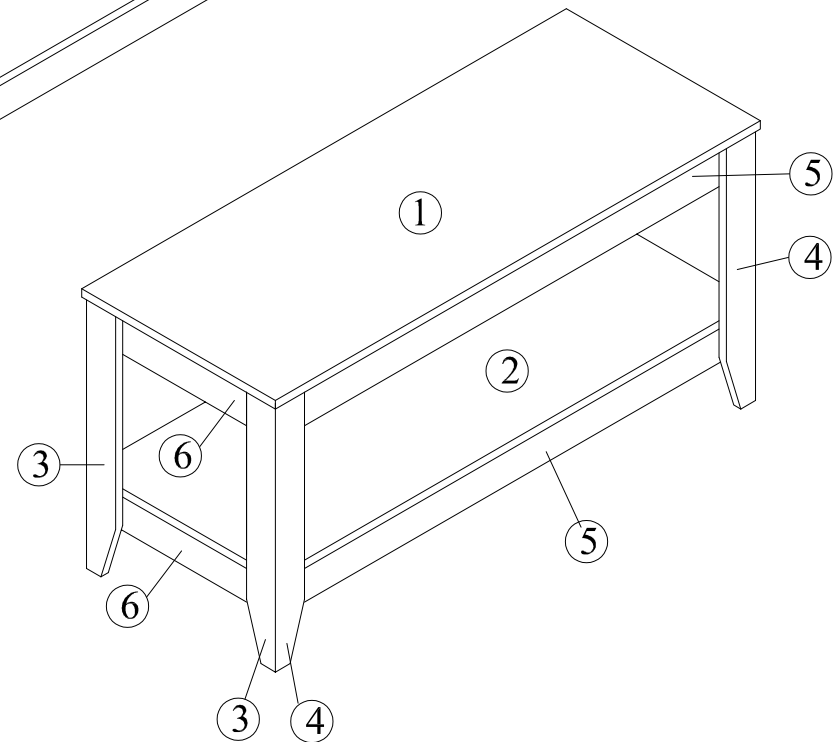
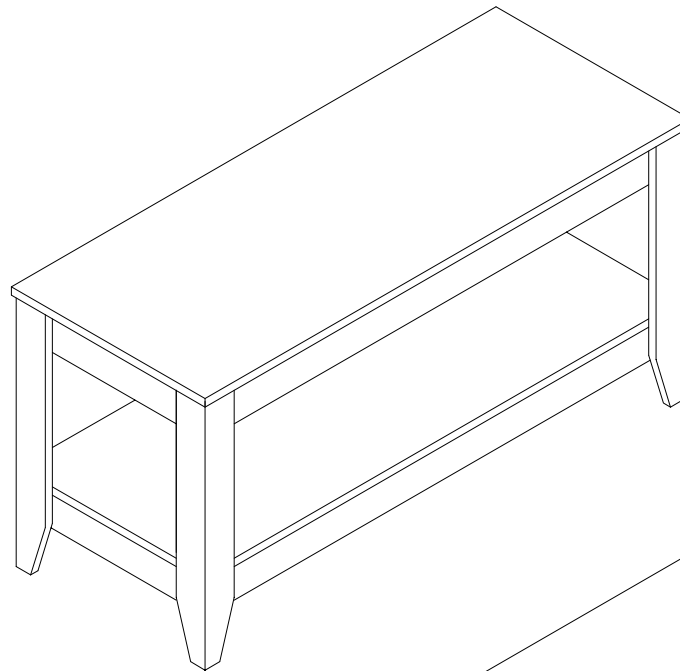
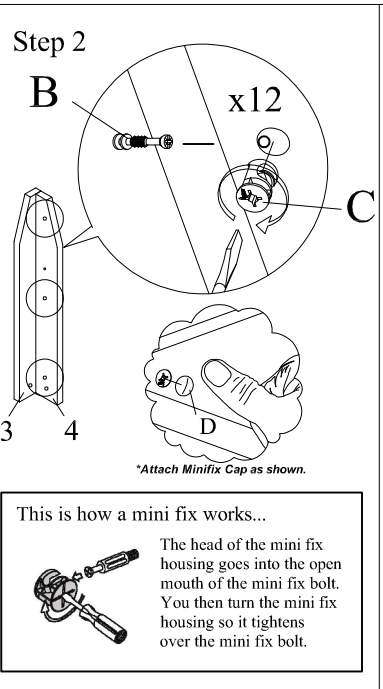
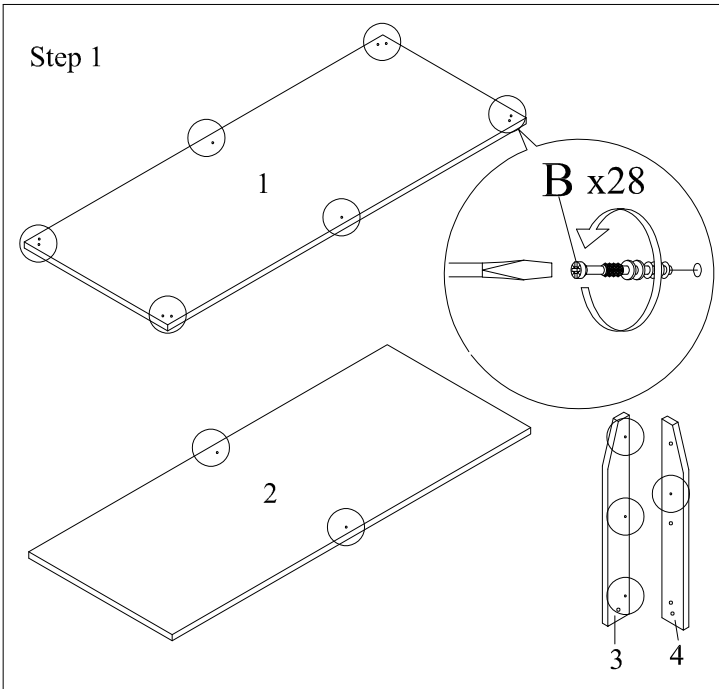


Assembly Instructions

Part List		QTY
1	Top Panel	1
2	Middle Panel	1
3	Leg Panel (L)	4
4	Leg Panel (R)	4
5	Small Vertical Panel	4
6	Large Vertical Panel	4

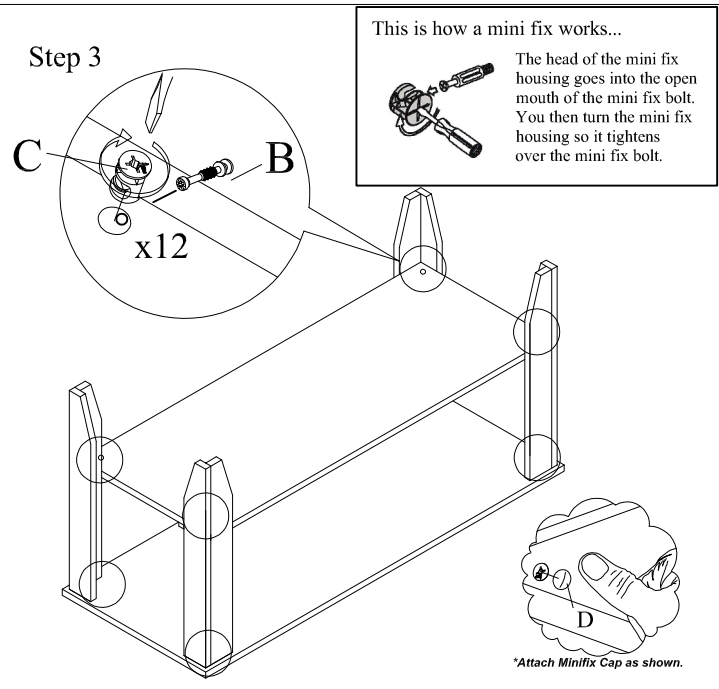
Hardware		QTY
A	Allen Key M4 	1
B	Mini Fix Bolt 	28
C	Mini Fix Housing 	28
D	Mini Fix Cap 	28
E	CSK Screw M4x30mm 	16
F	White Nail 	8





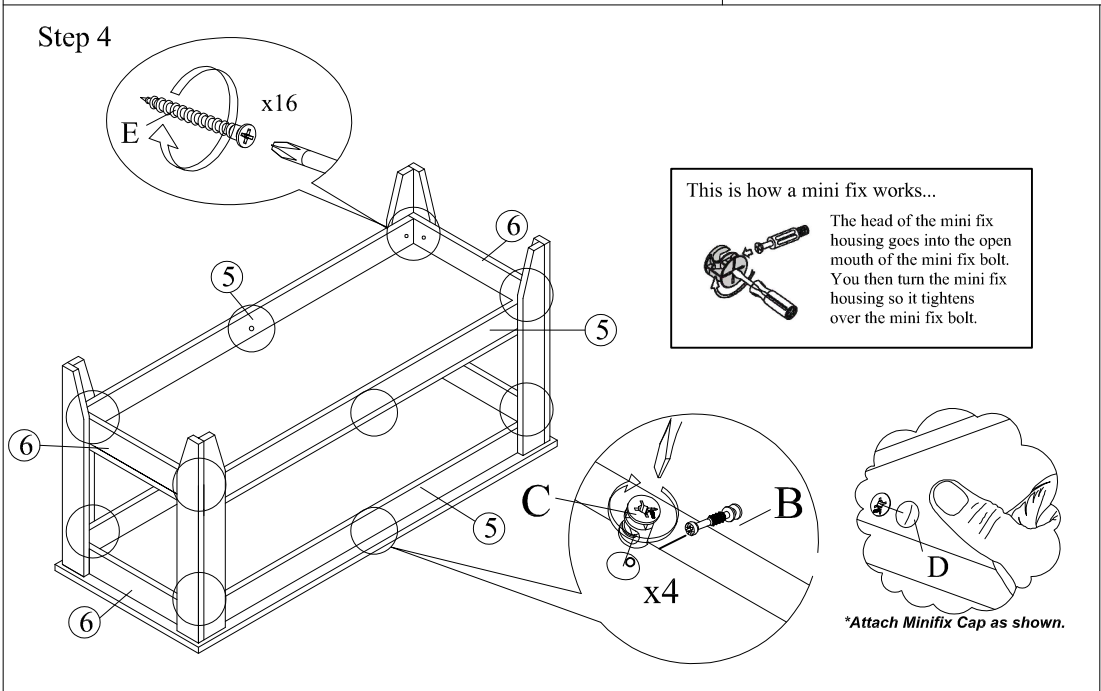
This is how a mini fix works...

The head of the mini fix housing goes into the open mouth of the mini fix bolt. You then turn the mini fix housing so it tightens over the mini fix bolt.



This is how a mini fix works...

The head of the mini fix housing goes into the open mouth of the mini fix bolt. You then turn the mini fix housing so it tightens over the mini fix bolt.



This is how a mini fix works...

The head of the mini fix housing goes into the open mouth of the mini fix bolt. You then turn the mini fix housing so it tightens over the mini fix bolt.

