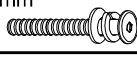

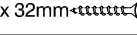




# ASSEMBLY INSTRUCTIONS

**IMPORTANT NOTE :**

- \* PLACE ALL WOODEN PARTS ON A CLEAN AND SMOOTH SURFACE SUCH AS A RUG OR CARPET TO AVOID THE PARTS FROM BEING SCRATCHED.
- \* BEFORE YOU BEGIN, KINDLY FOLLOW THE ASSEMBLY INSTRUCTIONS STEP BY STEP.
- \* DO NOT TIGHTEN ALL SCREWS UNTIL THE CHAIR IS FULLY SET-UP.

| HARDWARE LIST |  |      | PART LIST |                      |      |
|---------------|--|------|-----------|----------------------|------|
| A             | JCBC M6 x 50mm + S/W M6 + F/W M6 x 13mm<br> | 4PCS | 1         | CHAIR BACK           | 1PC  |
| B             | ALLEN KEY M4 (Ball Shape)<br>               | 1PC  | 2         | FRONT LEG            | 1PC  |
| C             | FH SCREW #8 x 32mm<br>                      | 4PCS | 3         | SIDE STRETCHER L & R | 2PCS |
| D             | L BRACKET<br>                               | 4PCS | 4         | CUSHION SEAT         | 1PC  |
| E             | CSK SCREW M3.5 x 12mm<br>                   | 8PCS | 5         | SIDE RAIL L & R      | 2PCS |

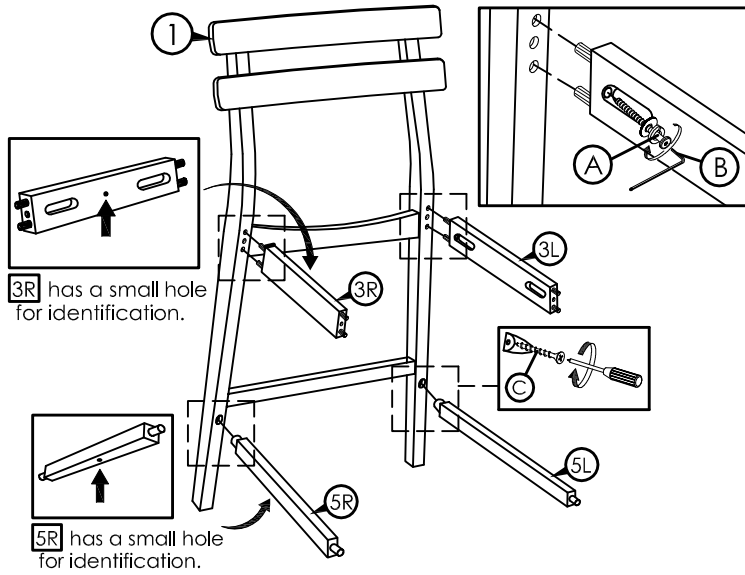
**CAUTIONS :**

(1) DO NOT FULLY-TIGHTEN THE NUT OR NUT BOLTS INITIALLY UNTIL ALL NUTS OR BOLT IS READY ASSEMBLED.

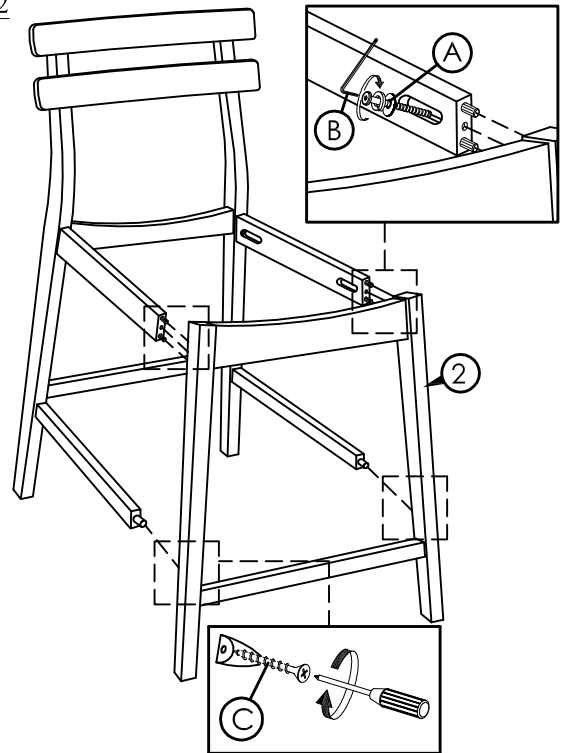
(TO AVOID CAUSING DAMAGES TO THE THREAD, DO NOT OVER-TIGHTEN THE NUTS OR BOLTS.)

(2) KEEP ALL HARDWARE PART OUT OF REACH OF CHILDREN.

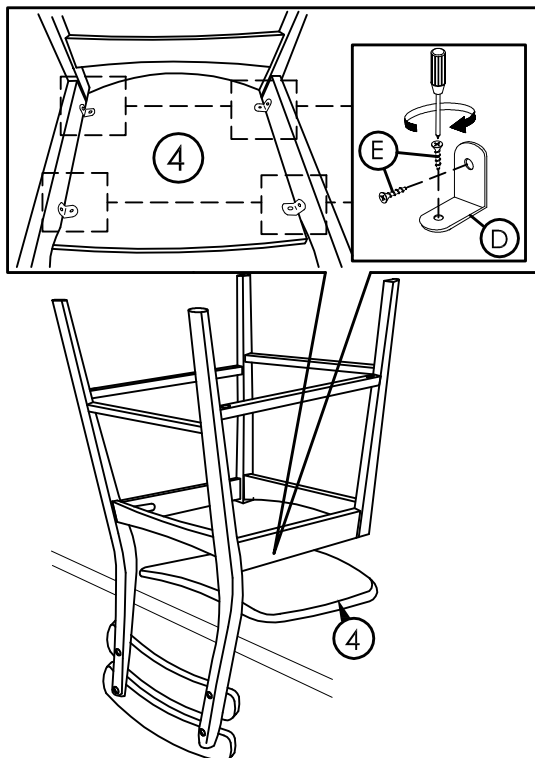
## STEP 1



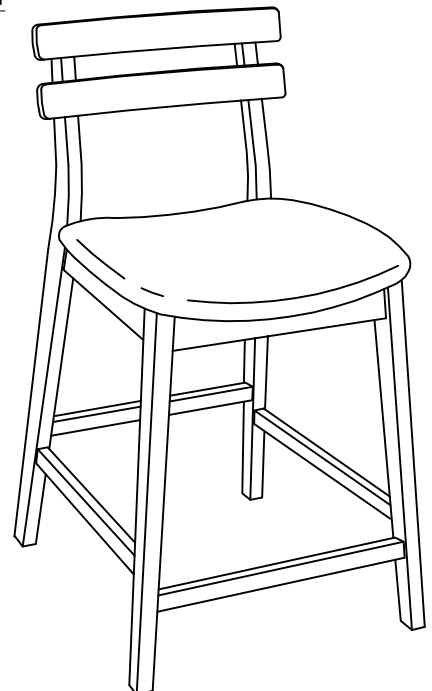
## STEP 2



## STEP 3



## STEP 4



COMPLETED BAR STOOL ASSEMBLY.