

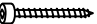

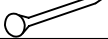
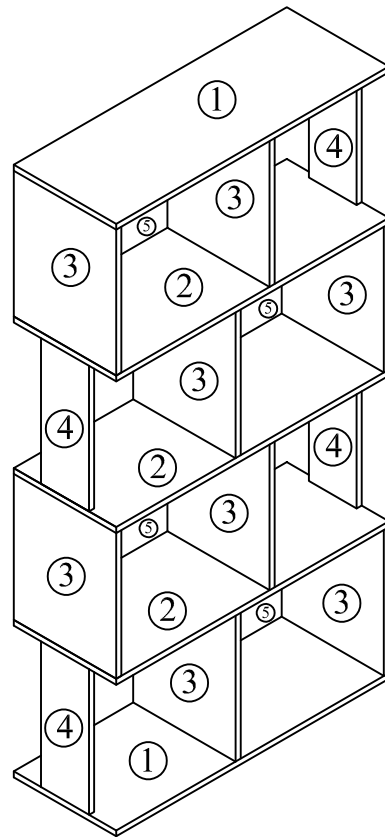
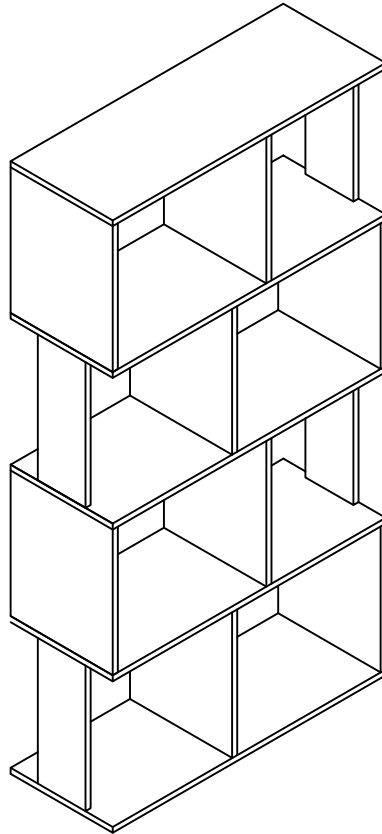


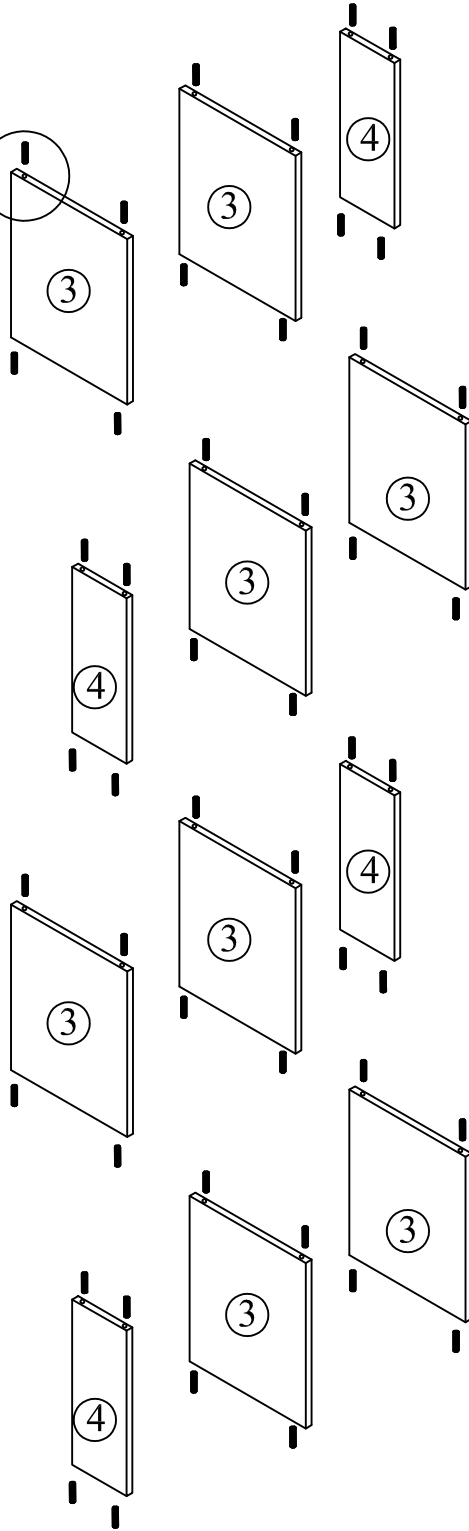
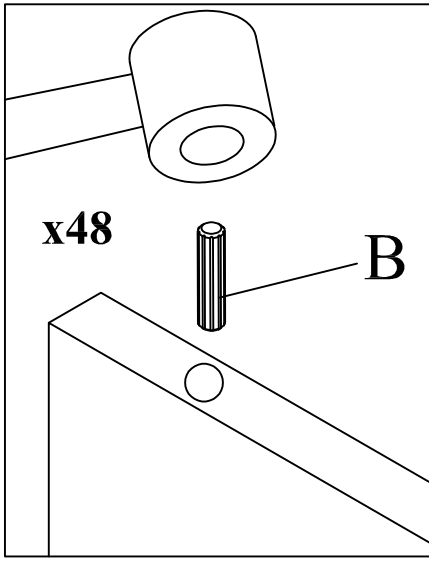
Assembly Instructions

Part List		QTY
1	Top/Bottom Panel	2
2	Middle Panel	3
3	Vertical (big) Panel	8
4	Vertical (small) Panel	4
5	Back Panel	4

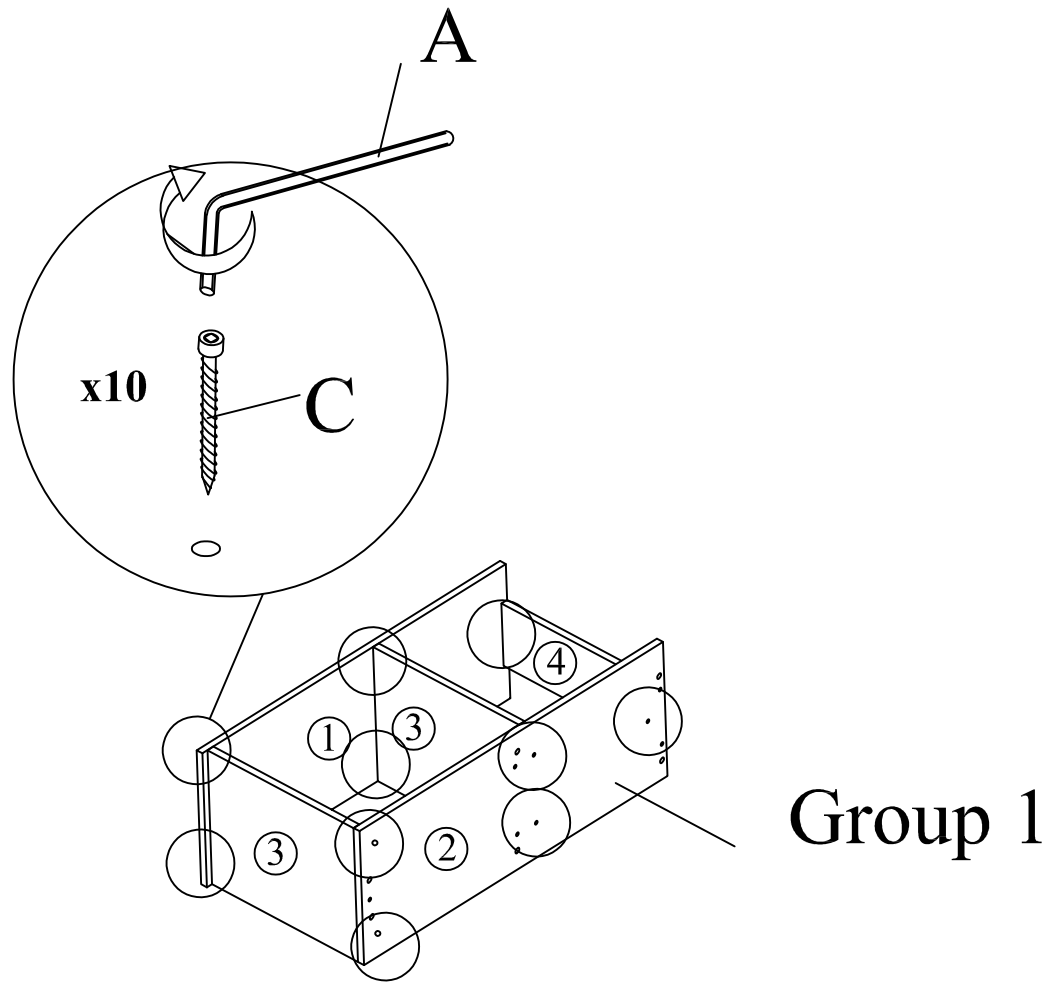
Hardware		QTY
A	Allen Key M4 	1
B	Dowel 	48
C	JCBC W Screw M6x40 	40
D	White Nail 	6
E	Nail 	64



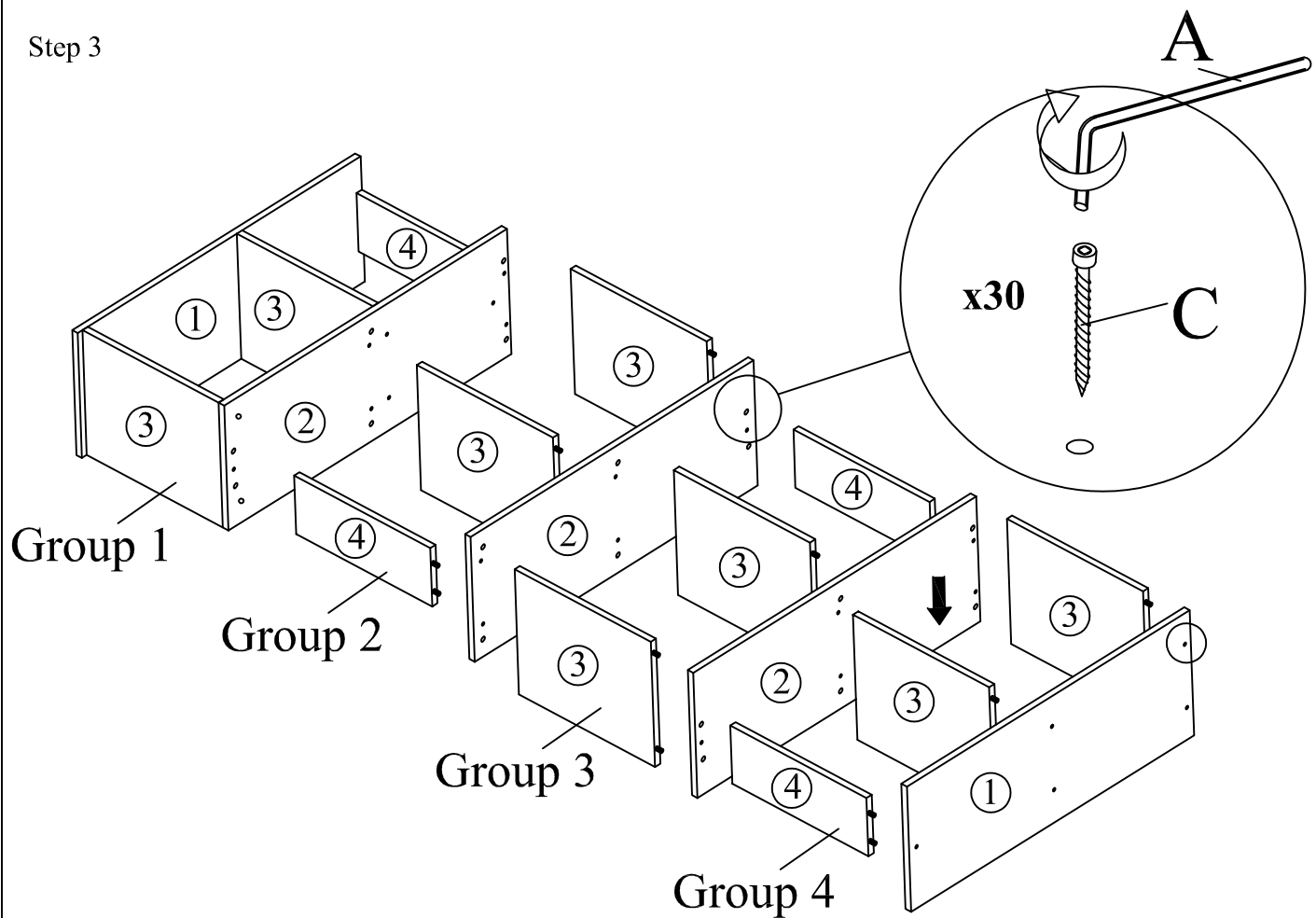
Step 1



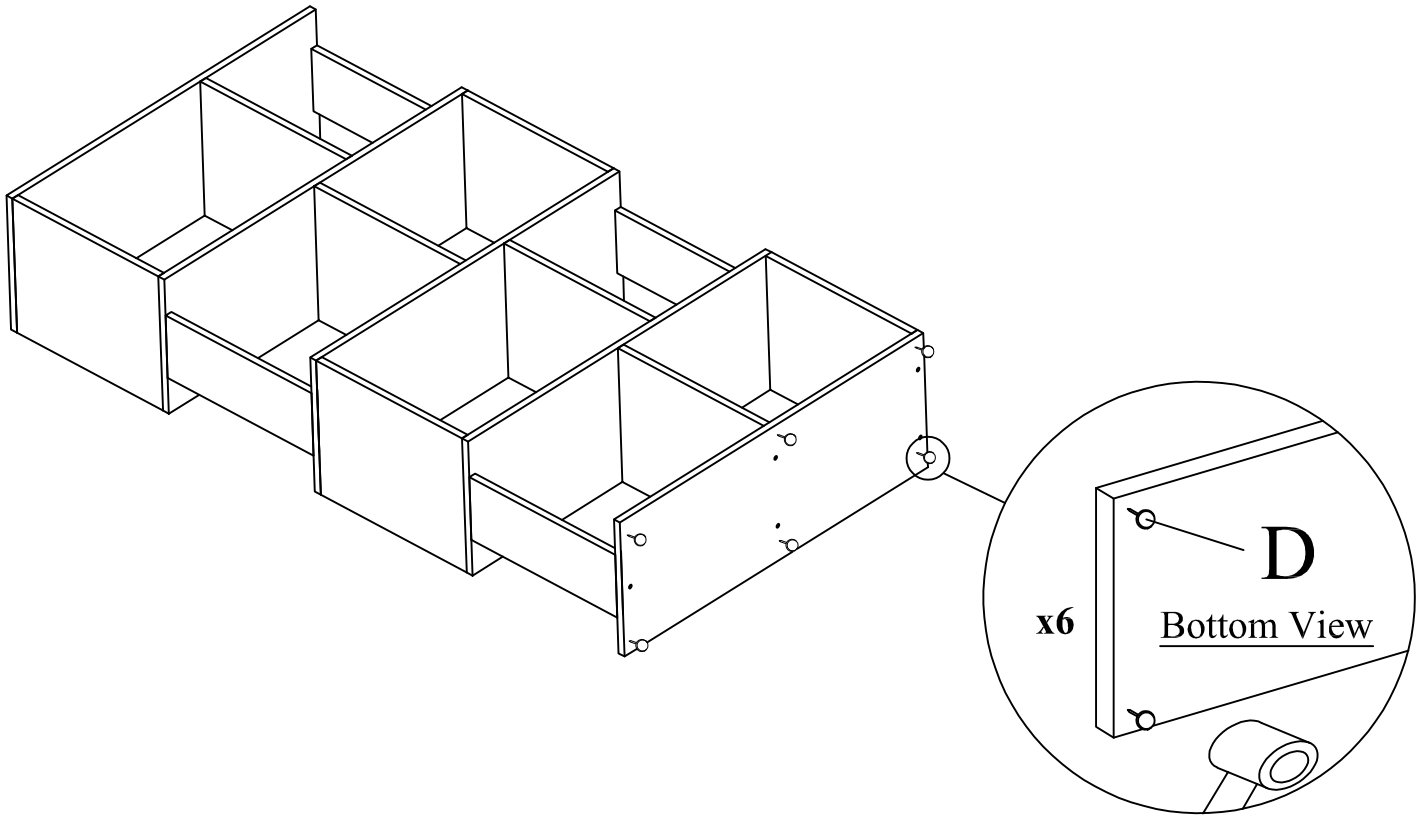
Step 2



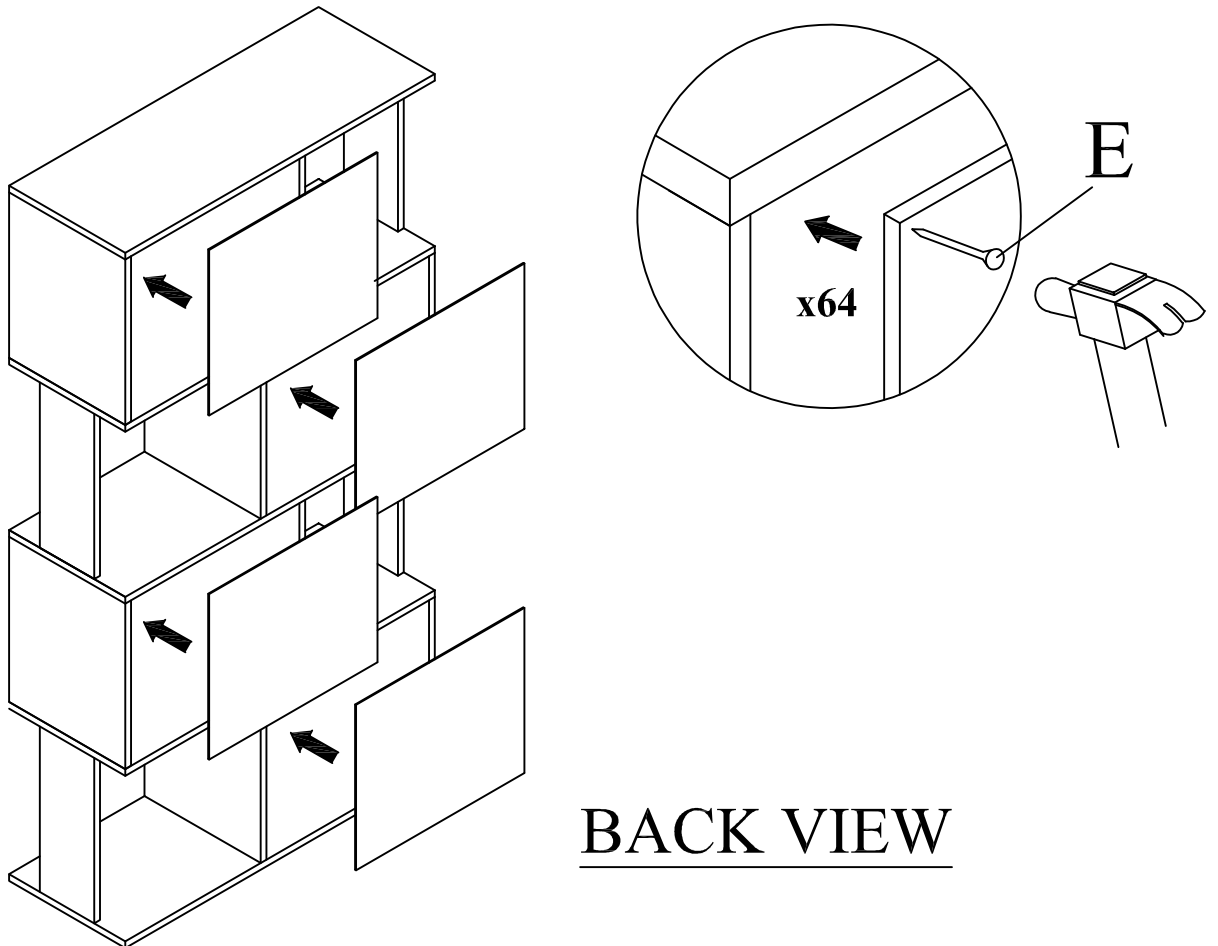
Step 3



Step 4



Step 5



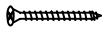
Anti -
Tapping

(A)



CSK Screw
M3.5x16mm
1PC

(B)



CSK Screw
M4x50mm
1PC

(C)

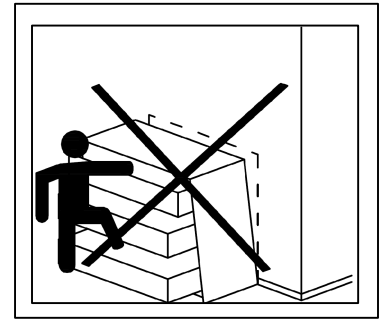
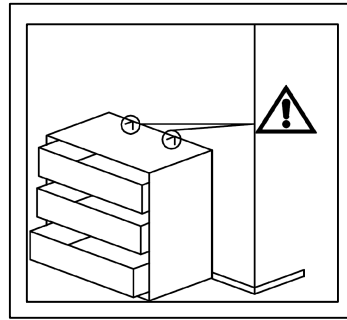


L BRACKET
2PCS

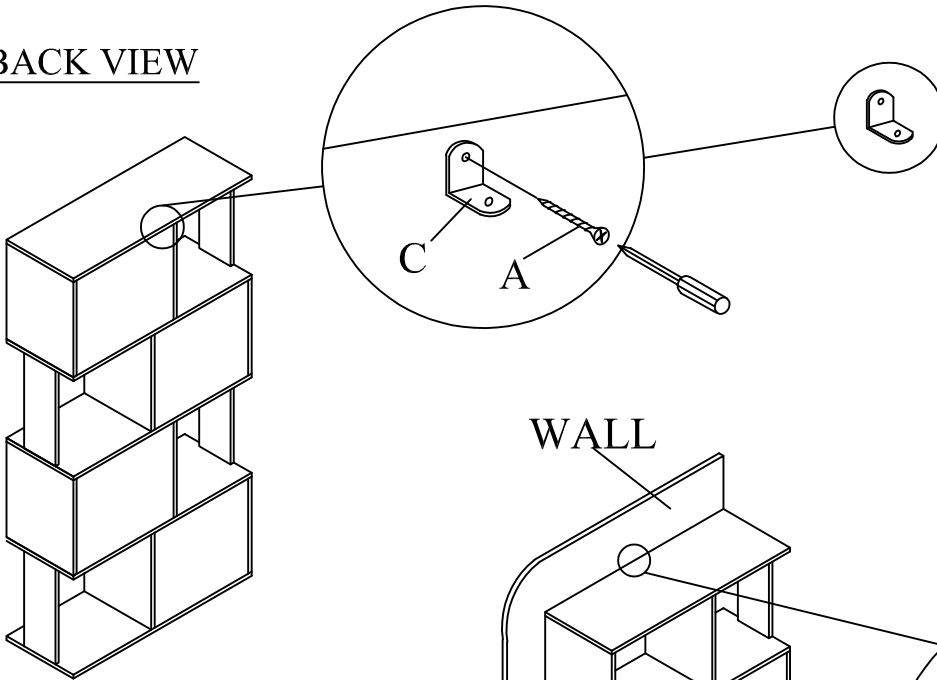
(D)



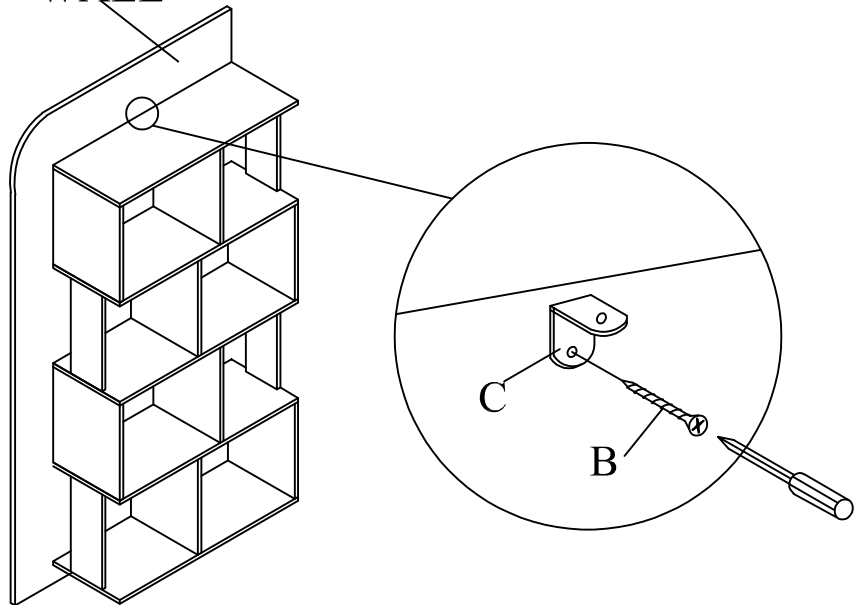
CABLE TIE
1PC



BACK VIEW



WALL



WALL

