

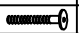


ASSEMBLY INSTRUCTIONS

Read this instruction carefully. See hardware and furniture part list for guidance. Be sure all parts are complete, before you assemble. Place all wooden furniture parts on a clean and flat soft surface to prevent from being scratched. Follow the figure to start assembling.

CAUTIONS : 1. Do not FULLY - TIGHTEN the nut or nut bolt until all nut or bolt is ready assembled.
2. Do not OVER - TIGHTEN the nut or bolt to avoid causing damages to the thread.
3. Keep all hardware parts out of reach of children.

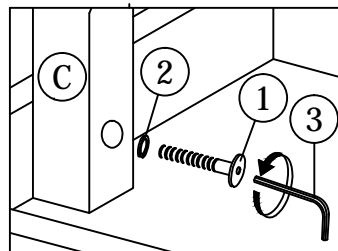
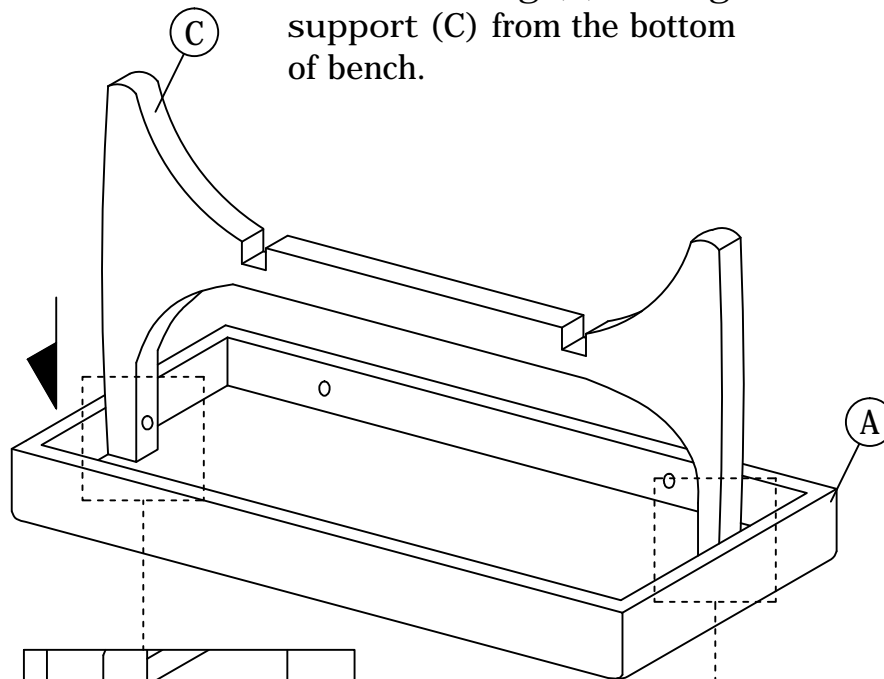
NOTE : THE LIST AND QUANTITY SHOWN ARE FOR 1 UNIT ASSEMBLY.

PART LIST		
ITEM	DESCRIPTION	QTY
A	BENCH	1 PC
B	LEGS	2 PCS
C	LEG SUPPORT	1 PC

HARDWARE LIST		
ITEM	DESCRIPTION	QTY
1	JCBB BOLT M8 x 50mm 	6 PCS
2	M8 SPRING WASHER 	6 PCS
3	M5 ALLEN KEY (BALL SHAPE) 	1 PC

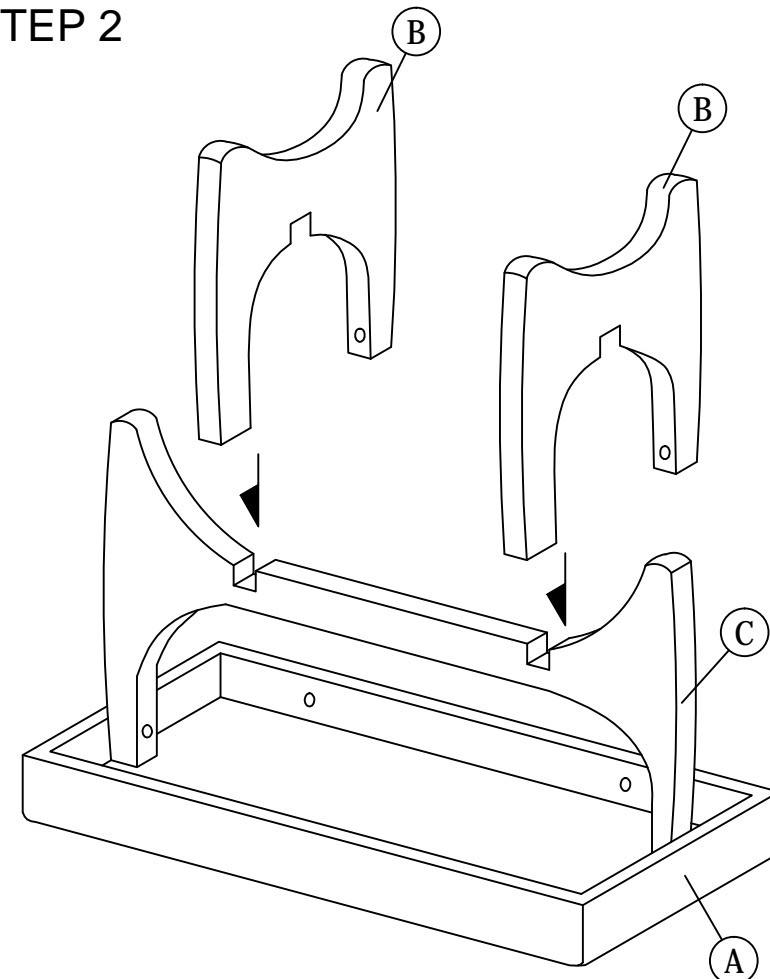
STEP 1

Take out the leg (B) and leg support (C) from the bottom of bench.



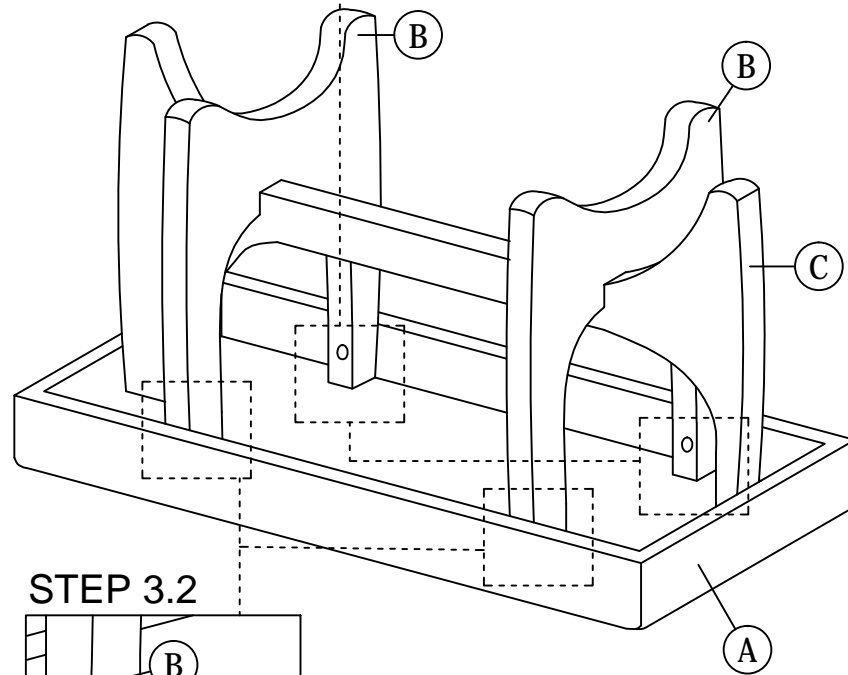
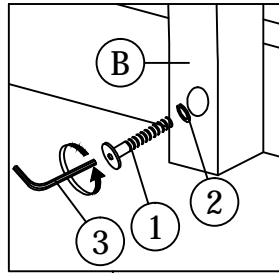
Don't screw tied

STEP 2

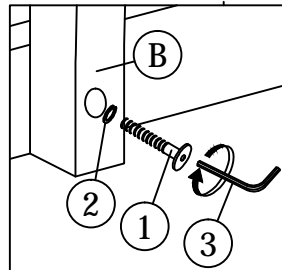


STEP 3

STEP 3.1



STEP 3.2



****Finish step 3,
Please screw tied the step 1 bolt.**

STEP 4

