

ASSEMBLY INSTRUCTIONS

Read this instruction carefully. See hardware and furniture part list for guidance. Be sure all parts are complete, before you assemble. Place all wooden furniture parts on a clean and flat soft surface to prevent from being scratched. Follow the figure to start assembling.

CAUTIONS : 1. Do not FULLY - TIGHTEN the nut or nut bolt until all nut or bolt is ready assembled.
2. Do not OVER - TIGHTEN the nut or bolt to avoid causing damages to the thread.
3. Keep all hardware parts out of reach of children.

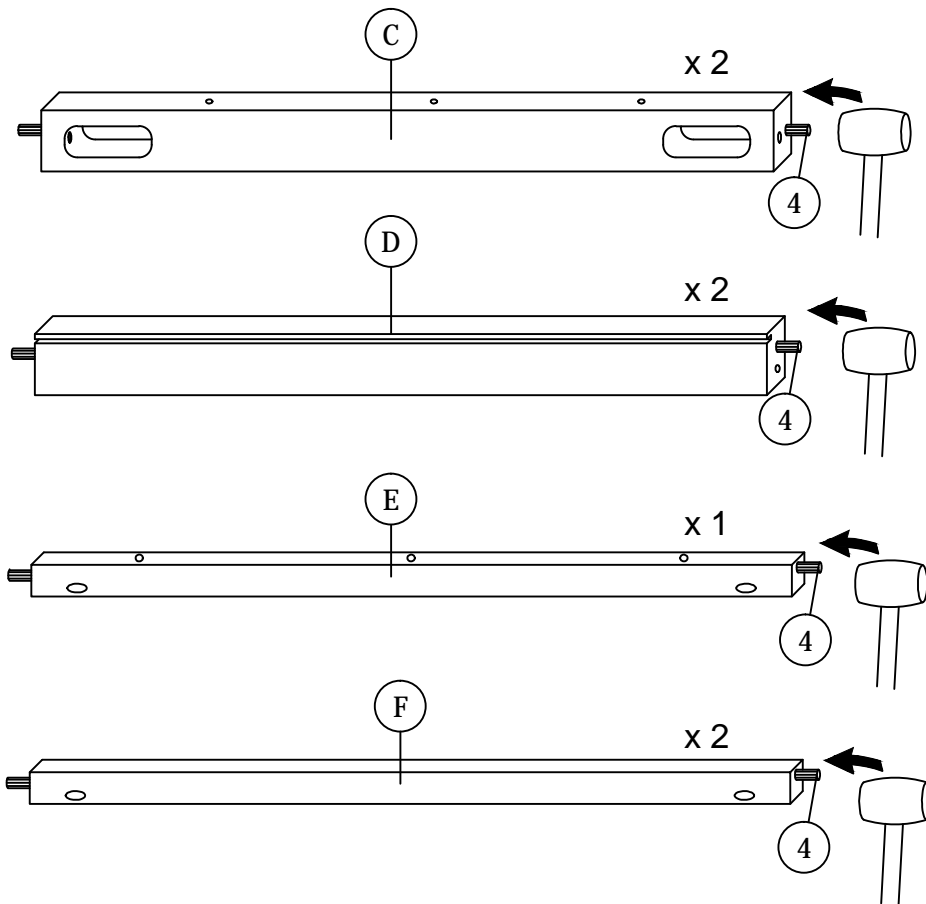
NOTE : THE LIST AND QUANTITY SHOWN ARE FOR 1 UNIT ASSEMBLY.

Tool needed : Screwdriver & Rubber mallet (not provider).

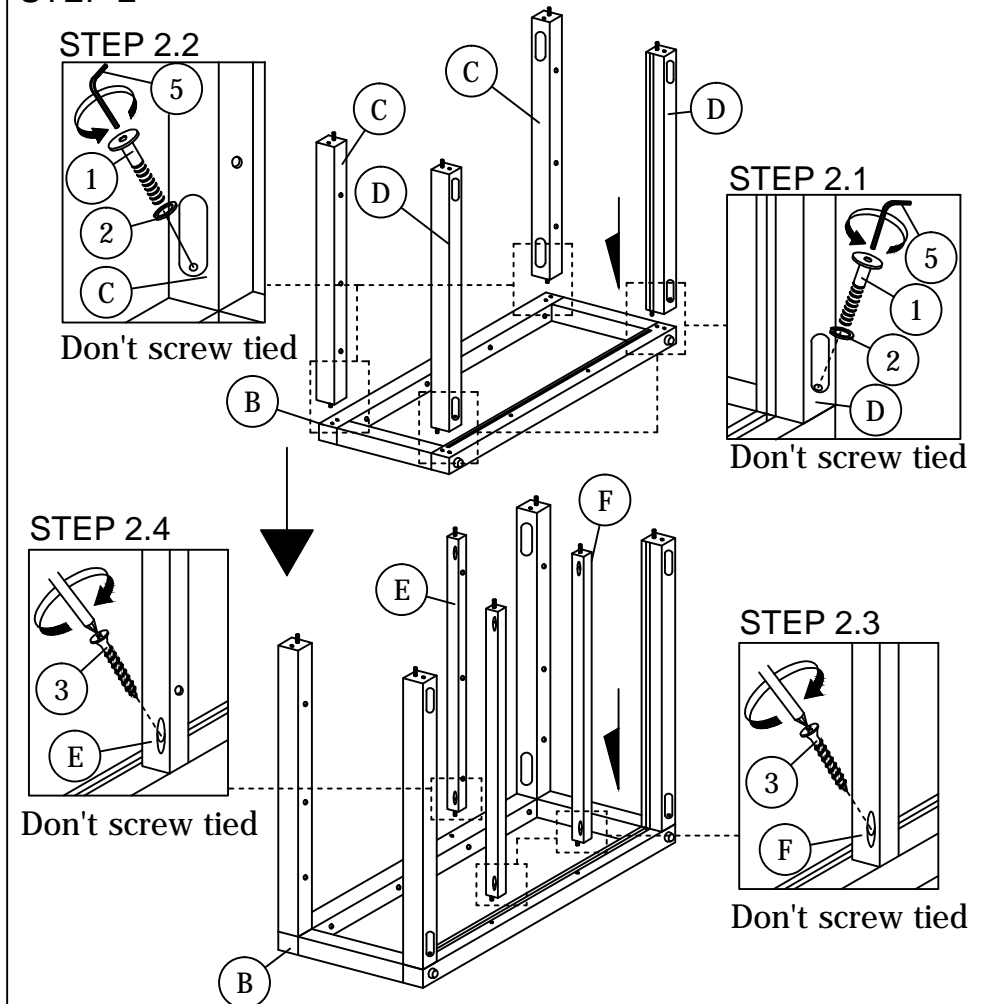
PART LIST		
ITEM	DESCRIPTION	QTY
A	SEAT	1 PC
B	LEG FRAME	2 PCS
C	RAIL TOP	2 PCS
D	RAIL BOTTOM	2 PCS
E	CENTER RAIL TOP	1 PC
F	CENTER RAIL BOTTOM	2 PCS
G	BOARD	1 PC

HARDWARE LIST		
ITEM	DESCRIPTION	QTY
1	JCBB BOLT M8 x 50mm	8 PCS
2	M8 SPRING WASHER	8 PCS
3	WOOD SCREW M4 x 32mm	23 PCS
4	WOOD DOWEL M10 x 30mm	14 PCS
5	M5 ALLEN KEY (BALL SHAPE)	1 PC

STEP 1

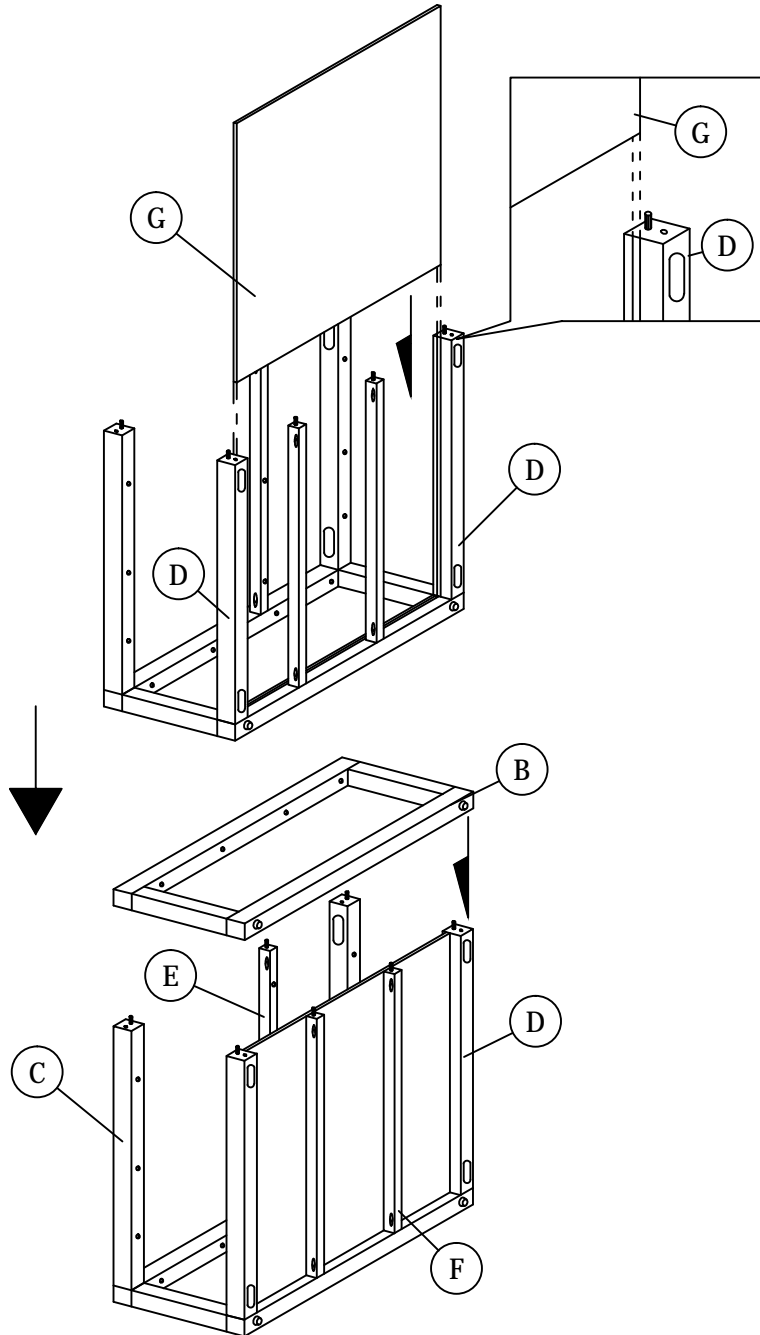


STEP 2



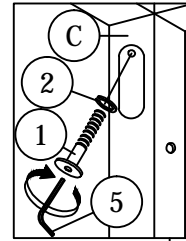
ASSEMBLY INSTRUCTIONS

STEP 3

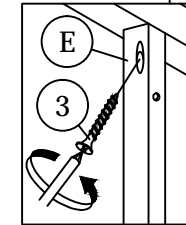


STEP 4

STEP 4.3

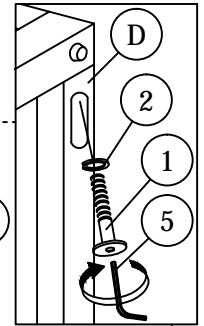


STEP 4.4

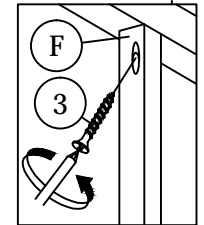


**Finish step 4,
Please screw tied the step 2 bolt.

STEP 4.1

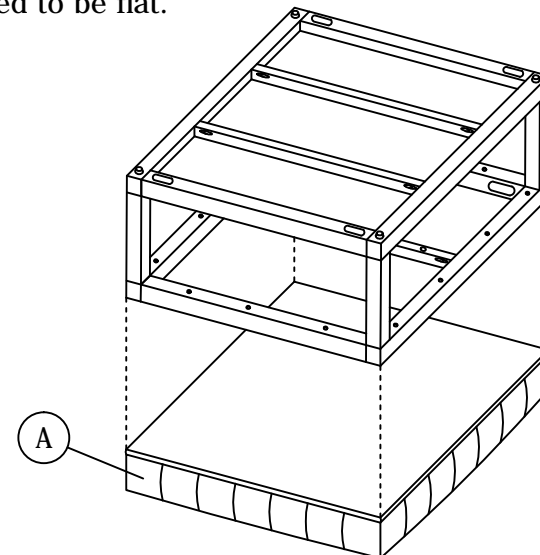


STEP 4.2



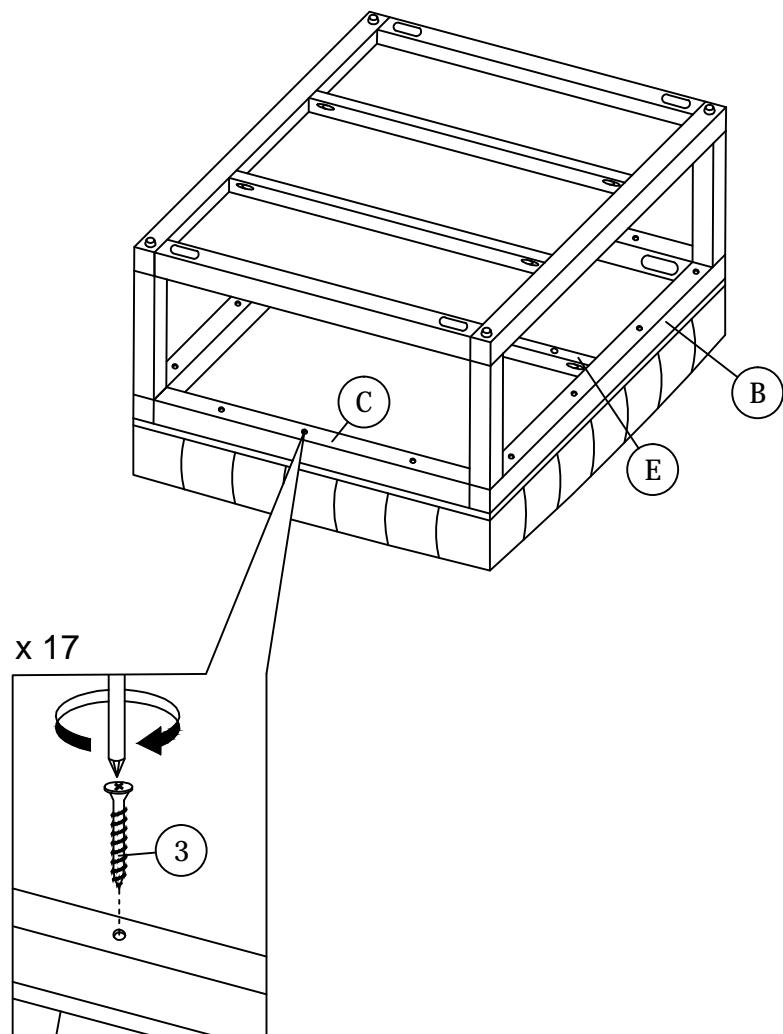
STEP 5

Note : Attach the wood frame to the seat (A), four corners need to be flat.



STEP 6

Note : Using wood screw M6 x 32mm(3) screw tied leg frame (B) , rail top (C) and center rail top (E).



STEP 7

