

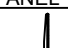
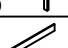
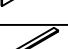

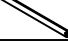


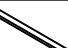
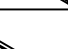

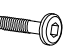
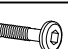
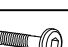
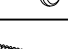

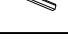


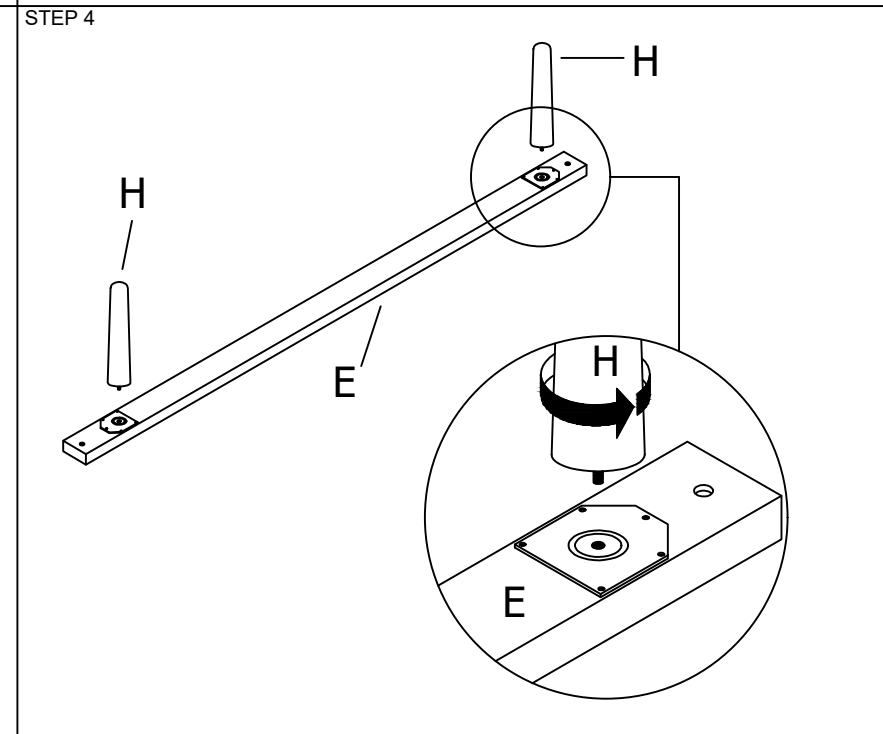
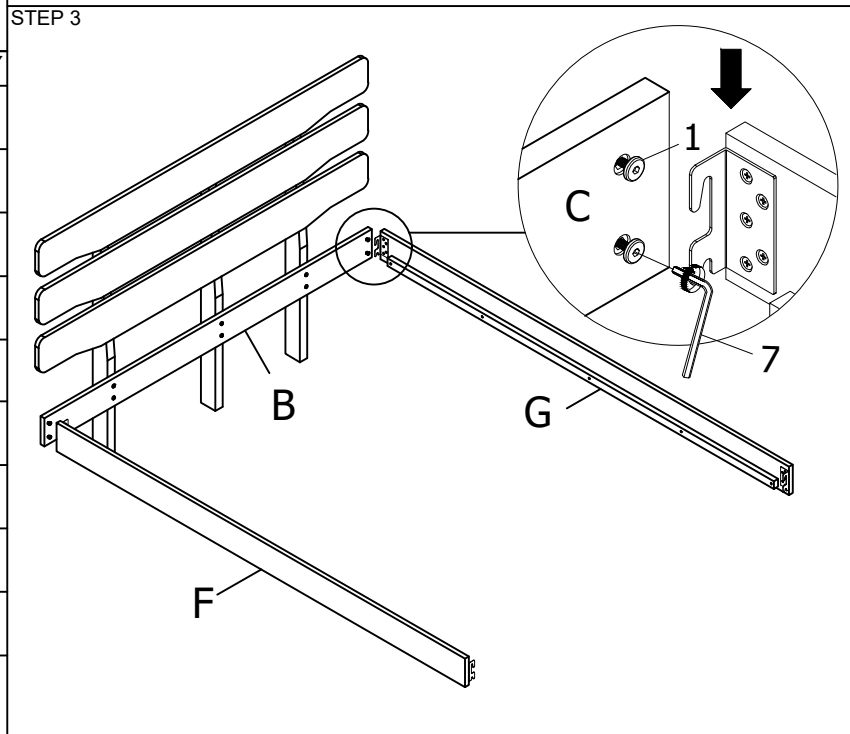
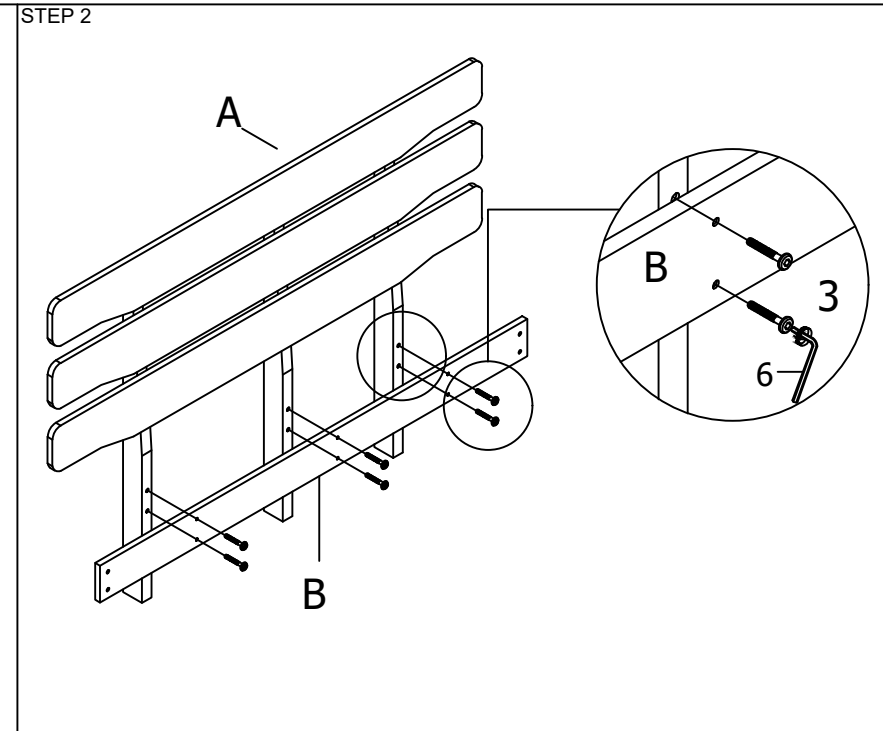
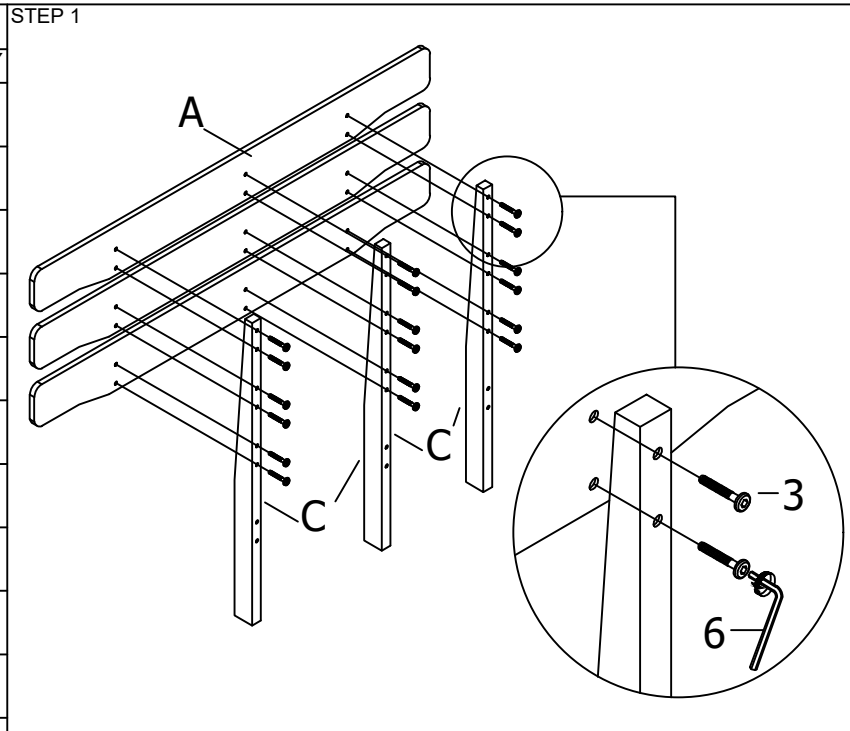


# ASSEMBLY INSTRUCTION

NO	PART LIST	QTY
A	HEADBOARD PANEL 	3
B	HEADBOARD BOTTOM PANEL 	1
C	BED POST HEADBOARD 	3
D	FOOTBOARD 	1
E	FOOTBOARD BOTTOM PANEL 	1
F	SIDE RAIL (Left) 	1
G	SIDE RAIL (Right) 	1
H	BED POST FOOTBOARD 	2
I	SLAT 	12
J	CENTER SUPPORT 	1
K	CENTER LEG 	3

NO	HARDWARE LIST	QTY
1	JCBB M8 x 16mm 	8
2	JCBC M6 x 40mm 	2
3	JCBC M6 x 50mm 	24
4	JCBC M6 x 70mm 	3
5	CSK M4 x 25mm 	33
6	ALLEN KEY M4 (Long) 	1
7	ALLEN KEY M5 	1
8	BASED GLIDE 	3
9	BARREL NUT 	3

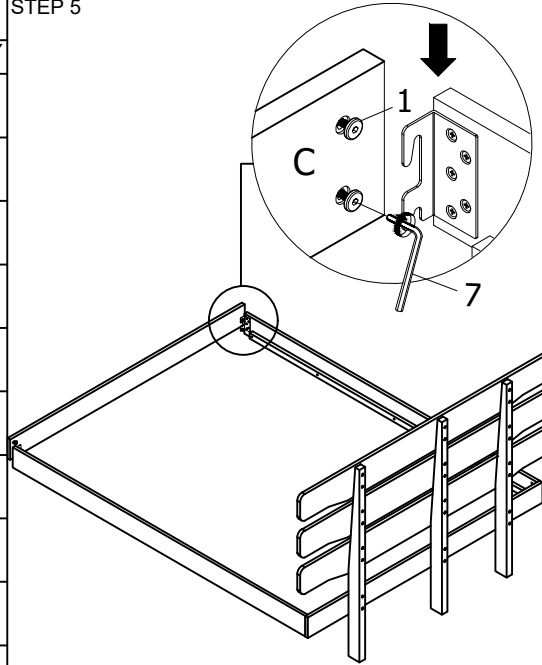


# ASSEMBLY INSTRUCTION

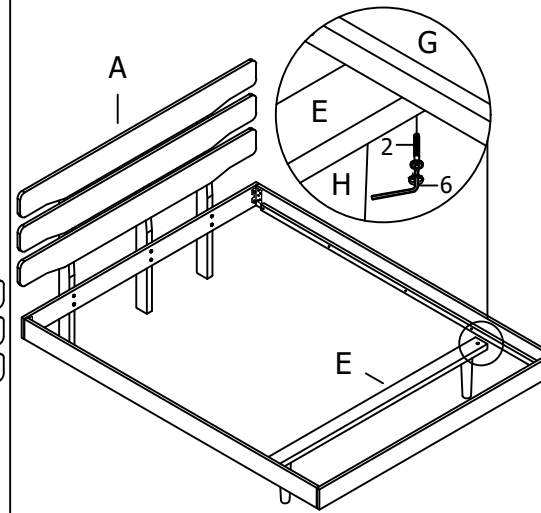
## MODEL: ANZIA QUEEN

NO	PART LIST	QTY
A	HEADBOARD PANEL	3
B	HEADBOARD BOTTOM PANEL	1
C	BED POST HEADBOARD	3
D	FOOTBOARD	1
E	FOOTBOARD BOTTOM PANEL	1
F	SIDE RAIL (Left)	1
G	SIDE RAIL (Right)	1
H	BED POST FOOTBOARD	2
I	SLAT	12
J	CENTER SUPPORT	1
K	CENTER LEG	3

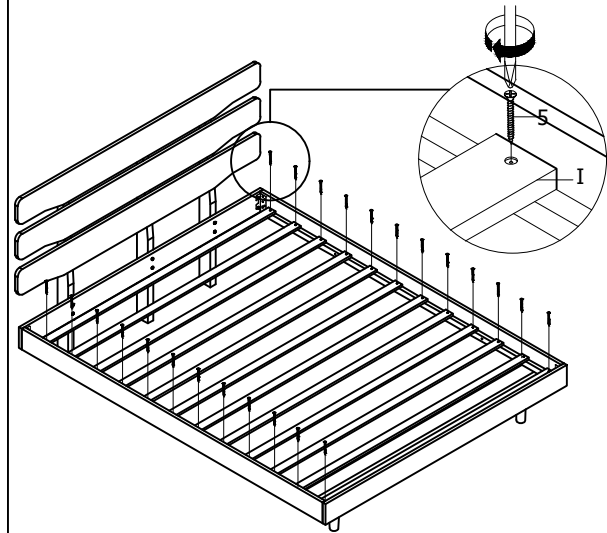
STEP 5



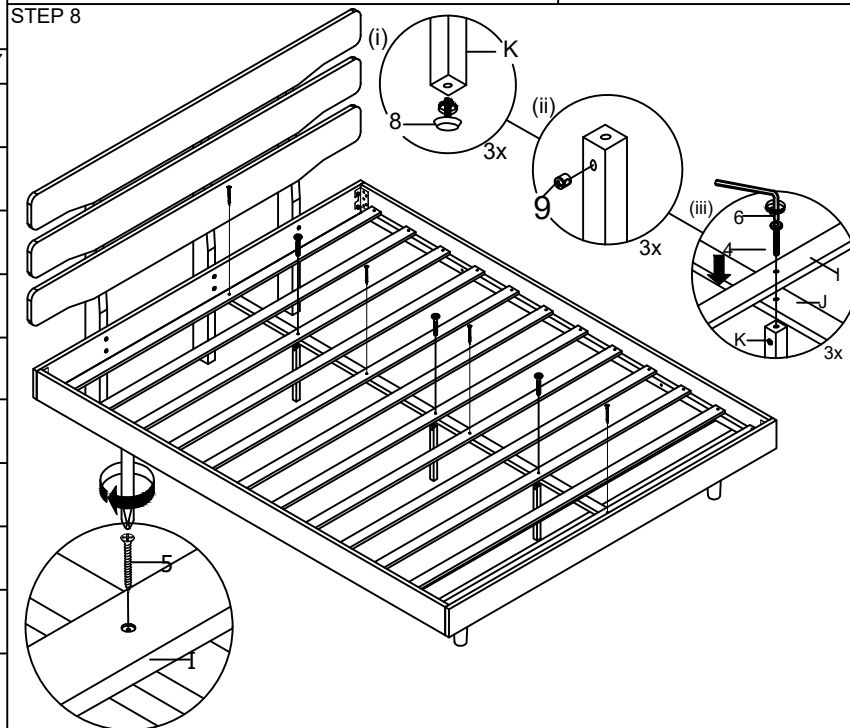
STEP 6



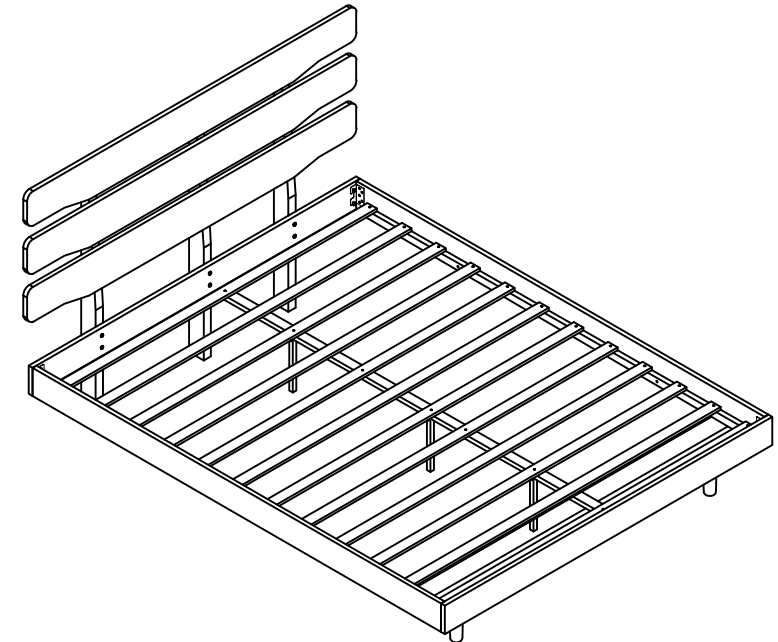
STEP 7



STEP 8



COMPLETE ASSEMBLY



NO	HARDWARE LIST	QTY
1	JCBB M8 x 16mm	8
2	JCBC M6 x 40mm	2
3	JCBC M6 x 50mm	24
4	JCBC M6 x 70mm	3
5	CSK M4 x 25mm	33
6	ALLEN KEY M4 (Long)	1
7	ALLEN KEY M5	1
8	BASED GLIDE	3
9	BARREL NUT	3