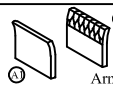

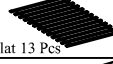



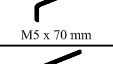
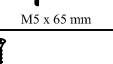




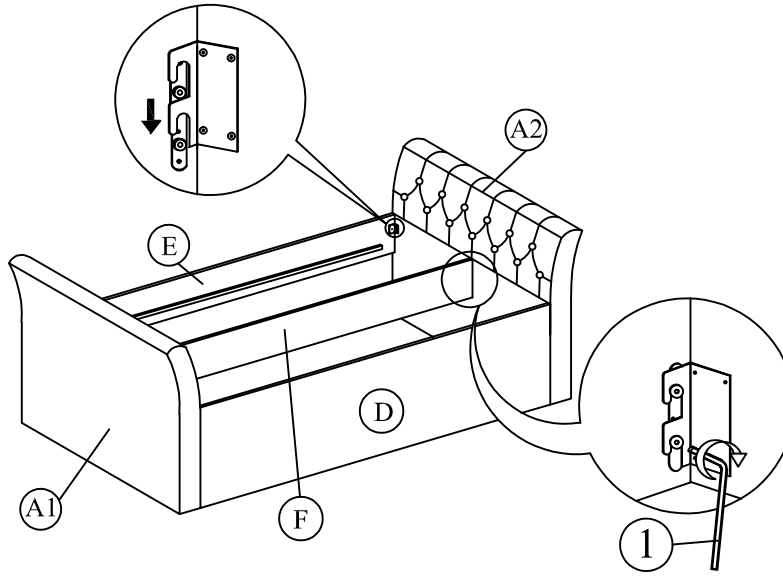


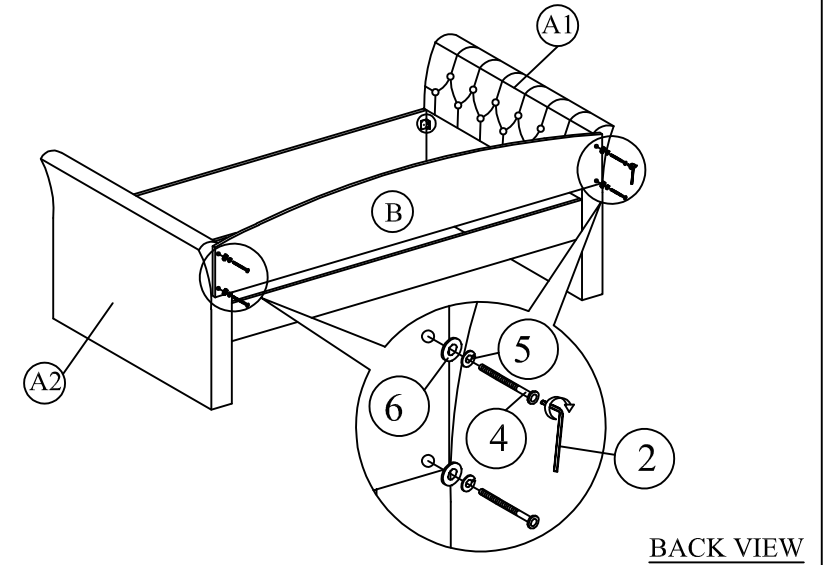
ASSEMBLY INSTRUCTION

A	 Arm	2 pcs
B	 Back Panel	1 pc
C	 Slat 13 Pcs	1 pc
D	 Front Side Rail (PU)	1 pc
E	 Back Side Rail	1 pc
F	 Middle Panel	1 pc
Packing Hardware		
1	 M5 x 70 mm	1 pc
2	 M5 x 65 mm	1 pc
3	 CSK M4 x 32mm	26 pcs
4	 JCBC M6 X 50	4 pcs
5	 SPRING WASHER	4 pcs
6	 FLAT WASHER	4 pcs

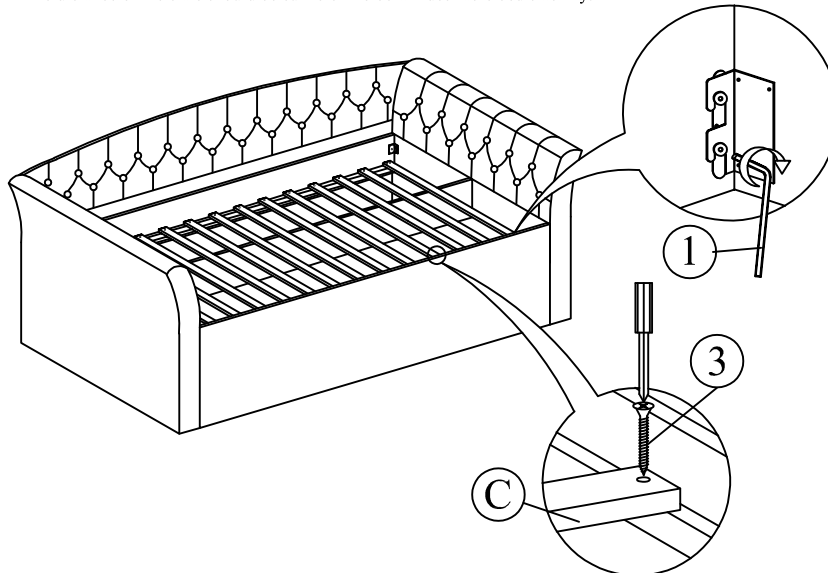
Step 1 : Attach side rail (D) & (E) to arm (A) by pushing the bracket down to fit it.



Step 2 : Attach the Back Panel (B) to the arm (A) as shown.



Step 3 : Tighten the 4 Corner with Allen Key (1). Install the slats to side rail. Tighten the slats with CSK screw (3). The distance of the slats should be sufficient to obtain desirable bed stability.



Step 4 : Assembly is complete.

