


# ASSEMBLY INSTRUCTIONS

Read this instruction carefully. See hardware and furniture part list for guidance. Be sure all parts are complete, before you assemble. Place all wooden furniture parts on a clean and flat soft surface to prevent from being scratched. Follow the figure to start assembling.

| PART LIST |             |       |
|-----------|-------------|-------|
| ITEM      | DESCRIPTION | QTY   |
| A         | BED         | 1 PC  |
| B         | BED LEG     | 4 PCS |

| HARDWARE LIST |   |        |
|---------------|---|--------|
| ITEM          | DESCRIPTION   | QTY    |
| 1             | JCBC BOLT M6 x 50mm        | 16 PCS |
| 2             | M6 SPRING WASHER           | 16 PCS |
| 3             | M6 FLAT WASHER             | 16 PCS |
| 4             | M4 ALLEN KEY (BALL SHAPE)  | 1 PC   |

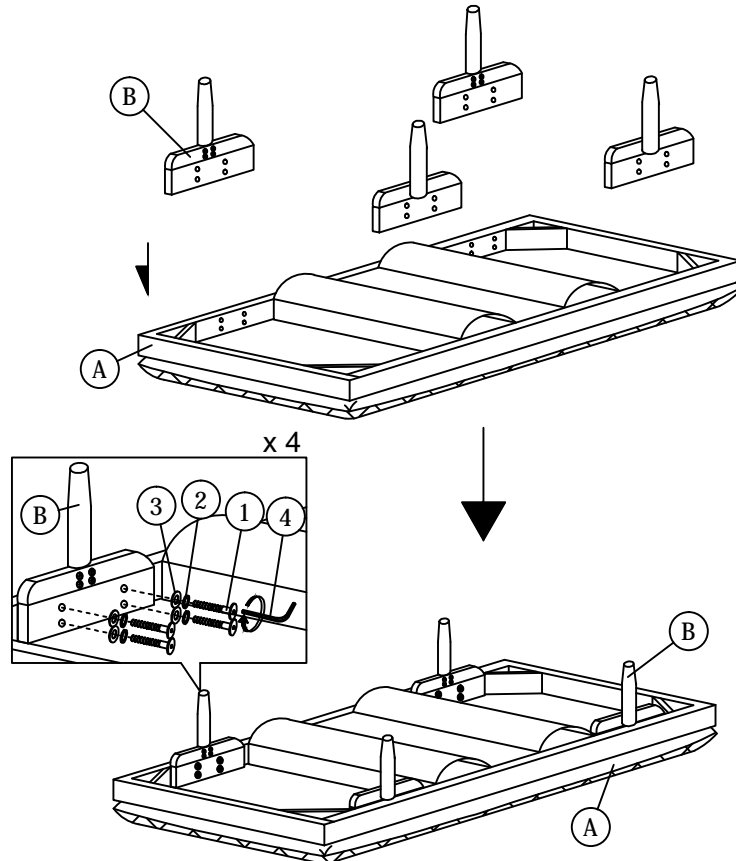
**CAUTIONS :**

1. Do not FULLY - TIGHTEN the nut or nut bolt until all nut or bolt is ready assembled.
2. Do not OVER - TIGHTEN the nut or bolt to avoid causing damages to the thread.
3. Keep all hardware parts out of reach of children.

**NOTE :** THE LIST AND QUANTITY SHOWN ARE FOR 1 UNIT ASSEMBLY

## STEP 1

Open the bed back and take out the parts (B) .



## STEP 2

