

Twin Twin Bunk Bed

Assembly Instructions

W11-1118

SAFETY WARNING

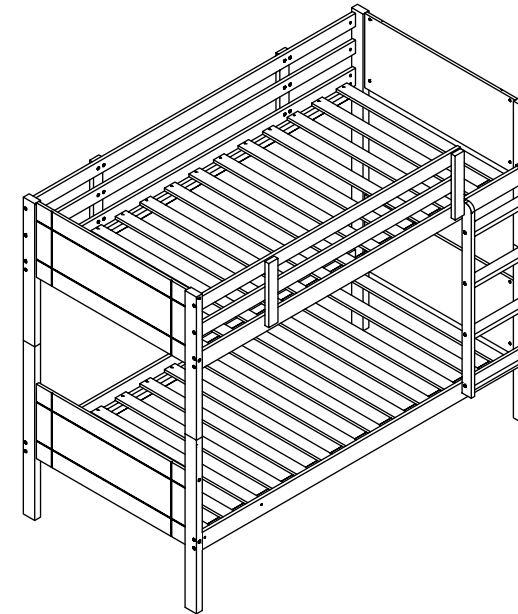
1. Follow the information on the warnings appearing on the upper bunk end structure and on the carton. Do not remove warning label from bed.
2. Always use the recommended size mattress or mattress support, or both, to help prevent the likelihood of entrapment or falls.
3. Surface of mattress must be at least 5 in. (127 mm) below the upper edge of guardrails.
4. Do not allow children under 6 years of age to use the upper bunk.
5. Periodically check and ensure that the guardrail, ladder, and other components are in their proper position, free from damage, and that all connectors are tight.
6. Do not allow horseplay on or under the bed and prohibit jumping on the bed.
7. Prohibit more than one person on upper bunk.
8. Always use the ladder for entering and leaving the upper bunk.
9. Do not use substitute parts. Contact the manufacturer or dealer for replacement parts.
10. Use of a night light may provide added safety precaution for a child using the upper bunk.
11. Always use guardrails on both long sides of the upper bunk. If the bunk bed will be placed next to the wall, the guardrail that runs the full length of the bed should be placed against the wall to prevent entrapment between the bed and wall.
12. The use of water or sleep flotation mattresses is prohibited.
13. **STRANGULATION HAZARD**—Never attach or hang items to any part of the bunk bed that are not designed for use with the bed; for example, but not limited to hooks, belts and jump ropes.
14. Keep these instructions for future reference.

SIZE OF MATTRESS AND FOUNDATION:

Use only mattress, which is 37 1/2" - 38 1/2" wide and 74"-75" long on upper bunk (twin size.) Ensure that the thickness of the mattress does not exceed 6" and that the mattress surface is at least 5" (127mm) below upper edge of guardrails.

WARNING:

Adult Assembly Required. This package contains small parts. Keep away from children.



Please Note: Do not assemble using power tools. This can cause the bolts to be overtightened



Note about Warning Labeling

The warning label on your bunk bed headboard is there by law, and by law is not to be removed. The adhesive used is difficult to peel off, will tear the paper leaving a residue that is difficult to clean. We recommend that you leave it where it is.

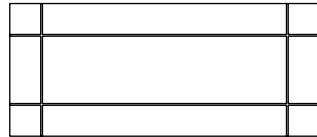


Twin Twin Bunk Bed

Assembly Instructions

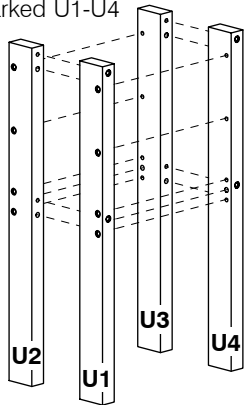
WI-1118

1 Parts in Box A



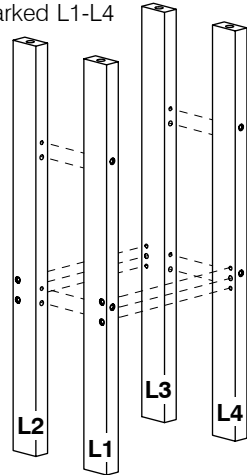
A Head /
Footboard
Panel **x 4**

The Posts are
marked U1-U4



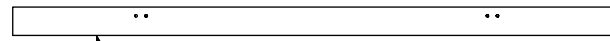
B Upper Post
(Shorter) **x 4**

The Posts are
marked L1-L4

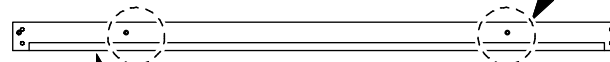


C Lower Post
(Longer) **x 4**

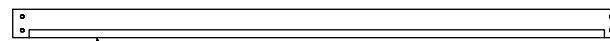
Parts in Box B



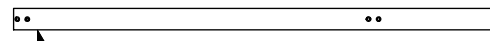
D Upper Side Rail **x 2**



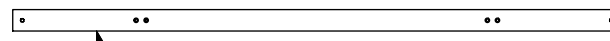
E Lower Front Side Rail **x 1**



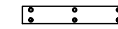
F Lower Rear Side Rail **x 1**



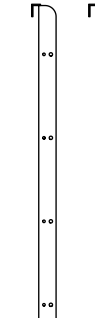
G Front Guard Rail **x 2**



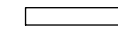
H Rear Guard Rail **x 2**



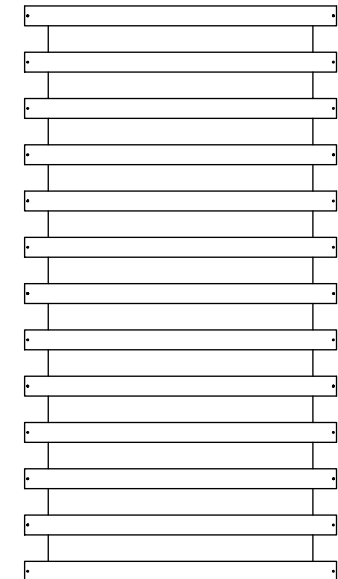
J Guard Rail
Post **x 4**



K Ladder
Rail **x 2**



L Ladder
Step **x 4**

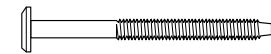


M Set of Bed
Slats **x 2**

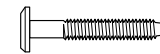
2 Hardware list



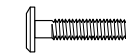
1 M6 x 100mm Bolt **x 16**



2 M6 x 70mm Bolt **x 22**



3 M6 x 40mm Bolt **x 26**



4 M6 x 30mm Bolt **x 24**



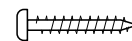
5 Barrel Nut **x 38**



6 Wood Dowel
(M10 x 40mm) **x 32**



7 Wood Dowel
(M16 x 75mm) **x 4**



8 Wood Screw
(M4 x 32mm) **x 36**



9 Wood Screw
(M4 x 16mm) **x 2**



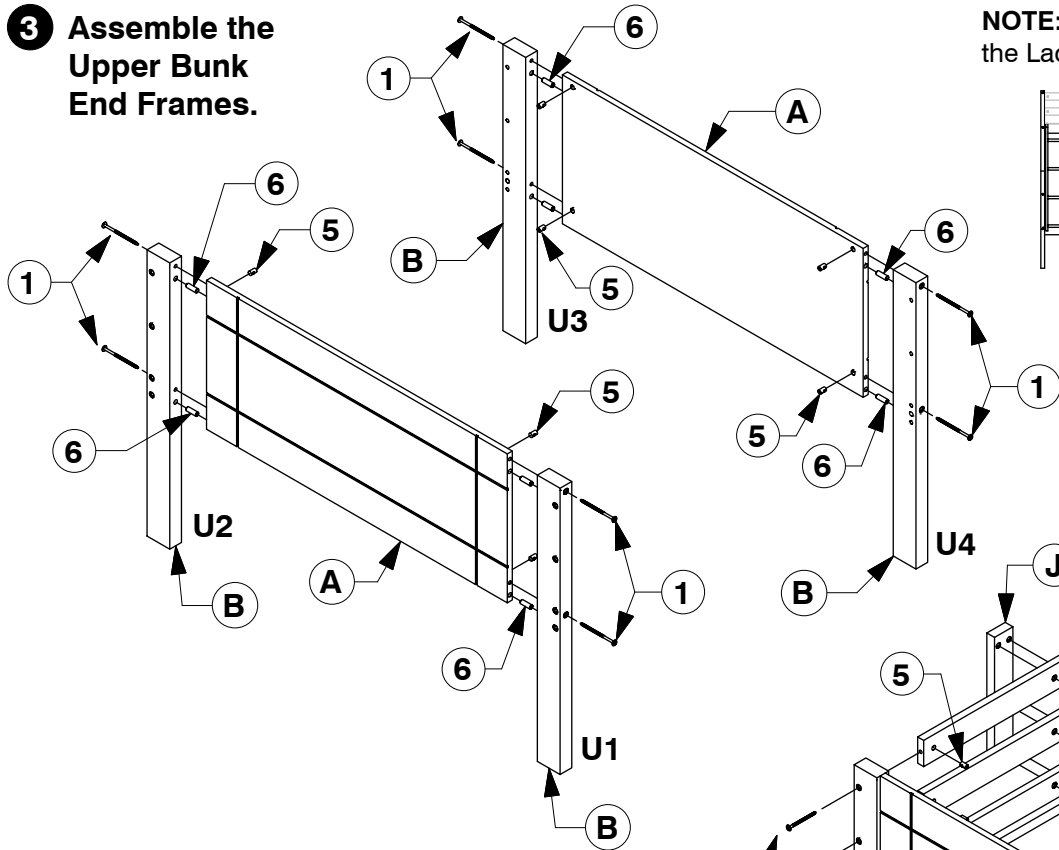
10 Allen Key **x 1**

Twin Twin Bunk Bed

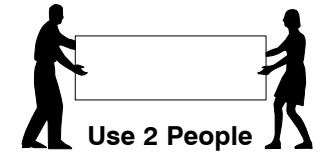
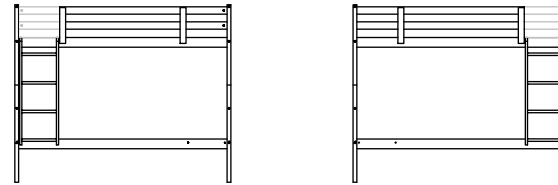
Assembly Instructions

WI-1118

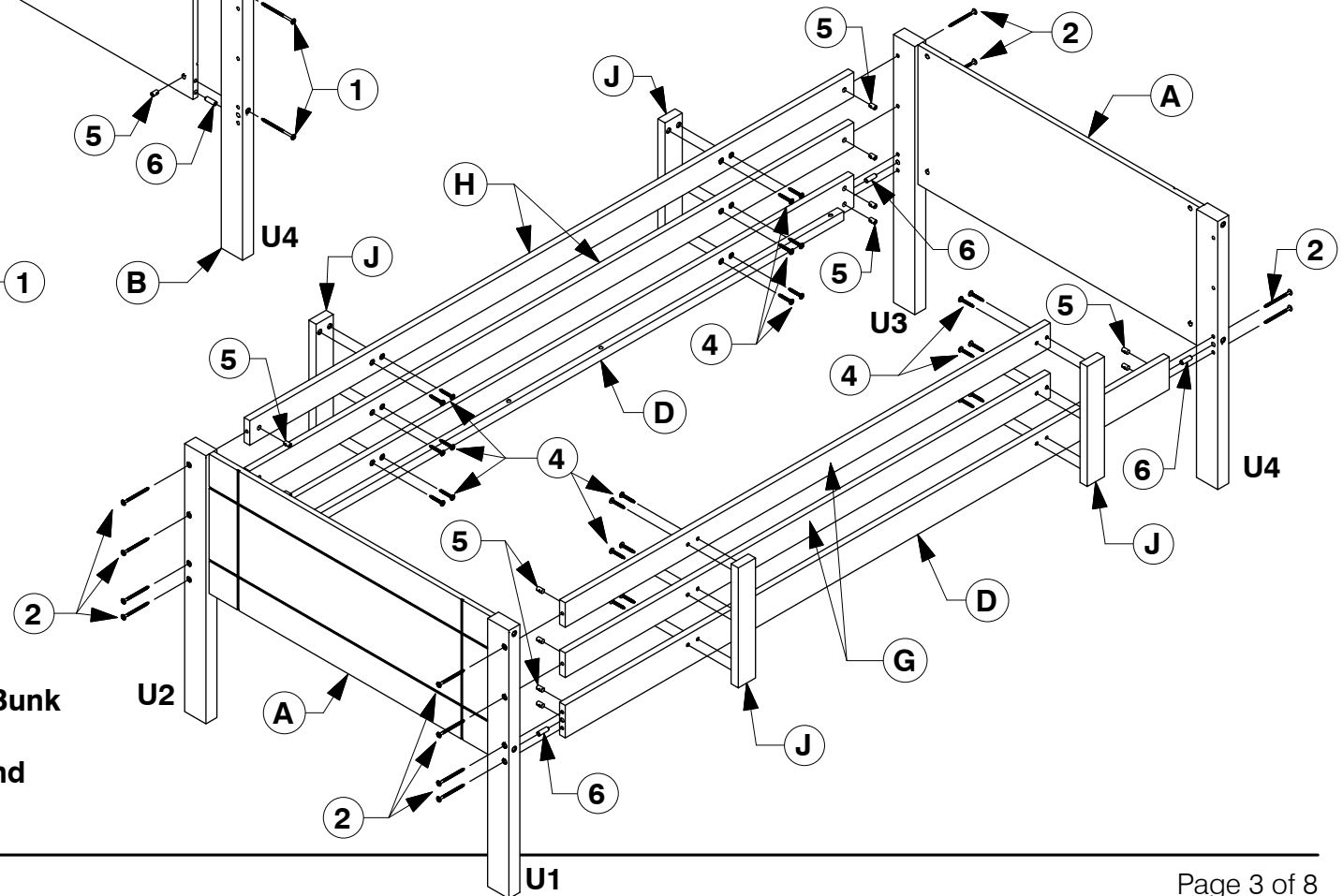
3 Assemble the Upper Bunk End Frames.



NOTE: The Front Guard Rail can be assembled so that the Ladder can be on the Left or Right Hand side.



4 Assemble the Upper Bunk End Frames with the Upper Side Rail (D) and Guard Rails (G & H).

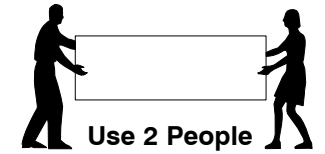
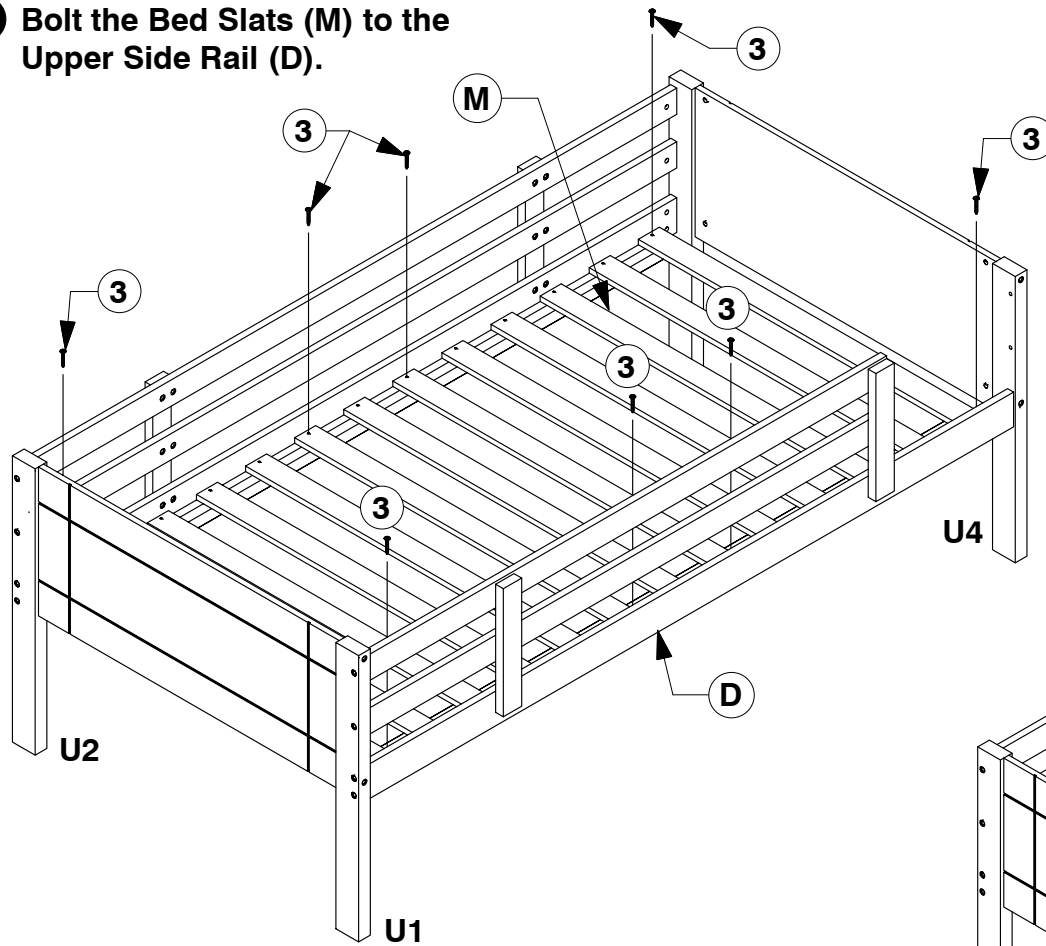


Twin Twin Bunk Bed

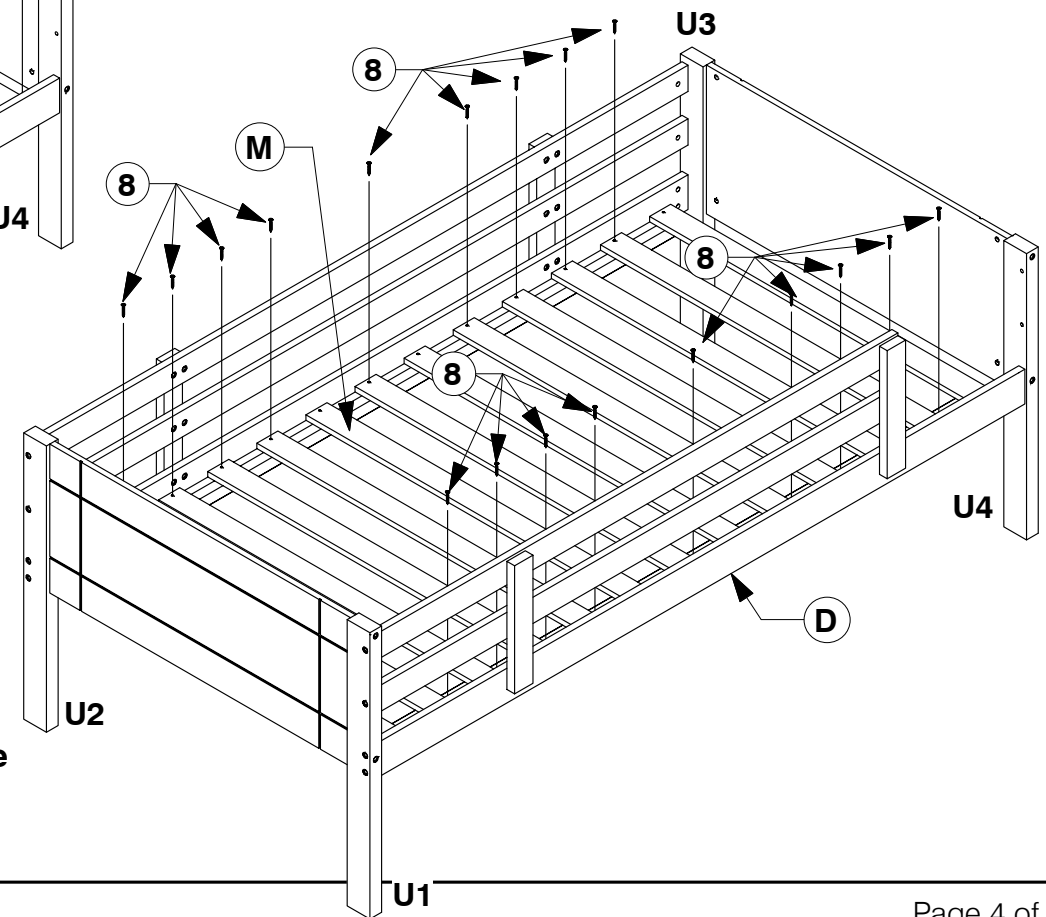
Assembly Instructions

WI-1118

- 5** Bolt the Bed Slats (M) to the Upper Side Rail (D).



- 6** Screw the Bed Slats (M) to the Upper Side Rail (D).

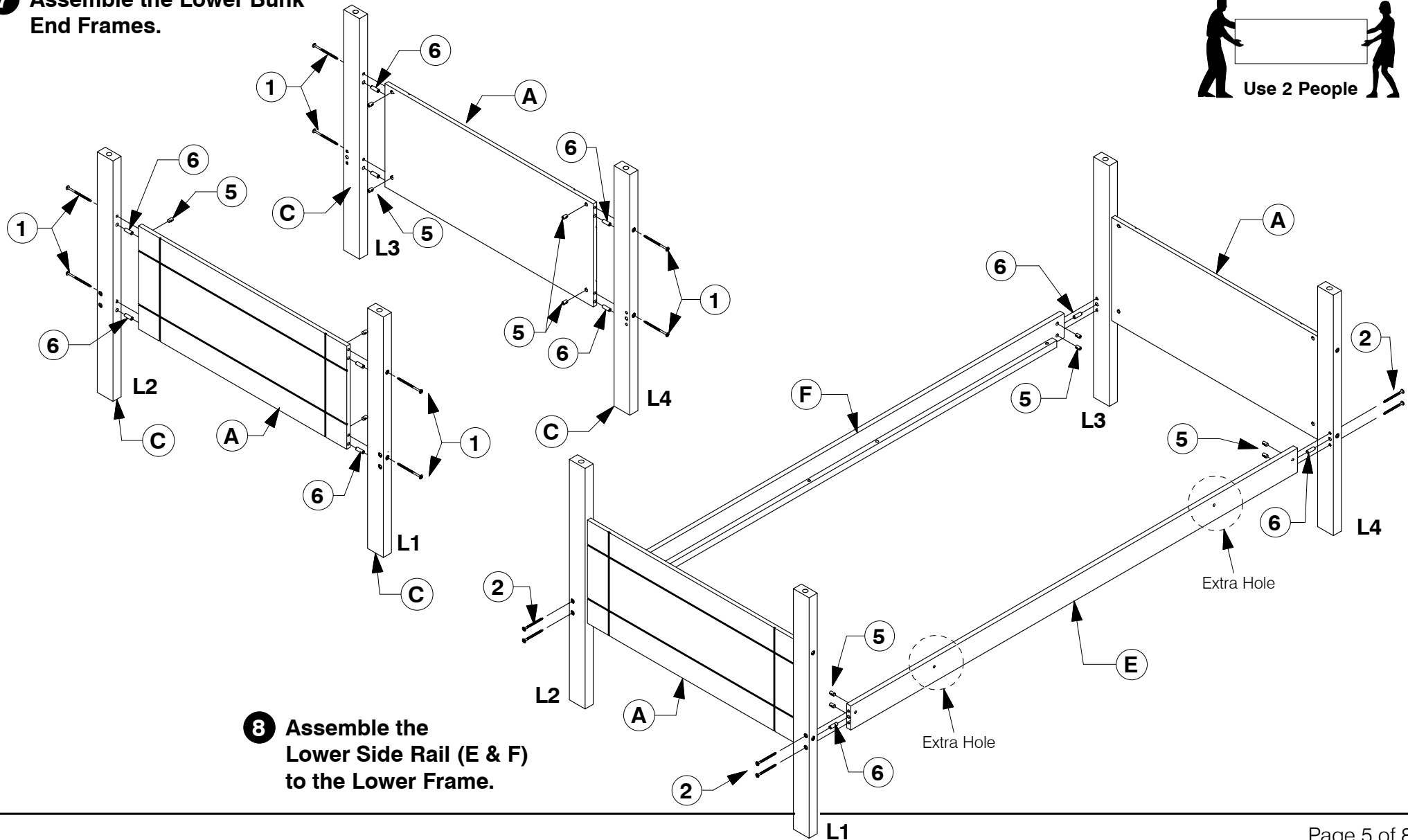
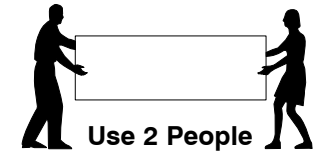


Twin Twin Bunk Bed

Assembly Instructions

WI-1118

7 Assemble the Lower Bunk End Frames.



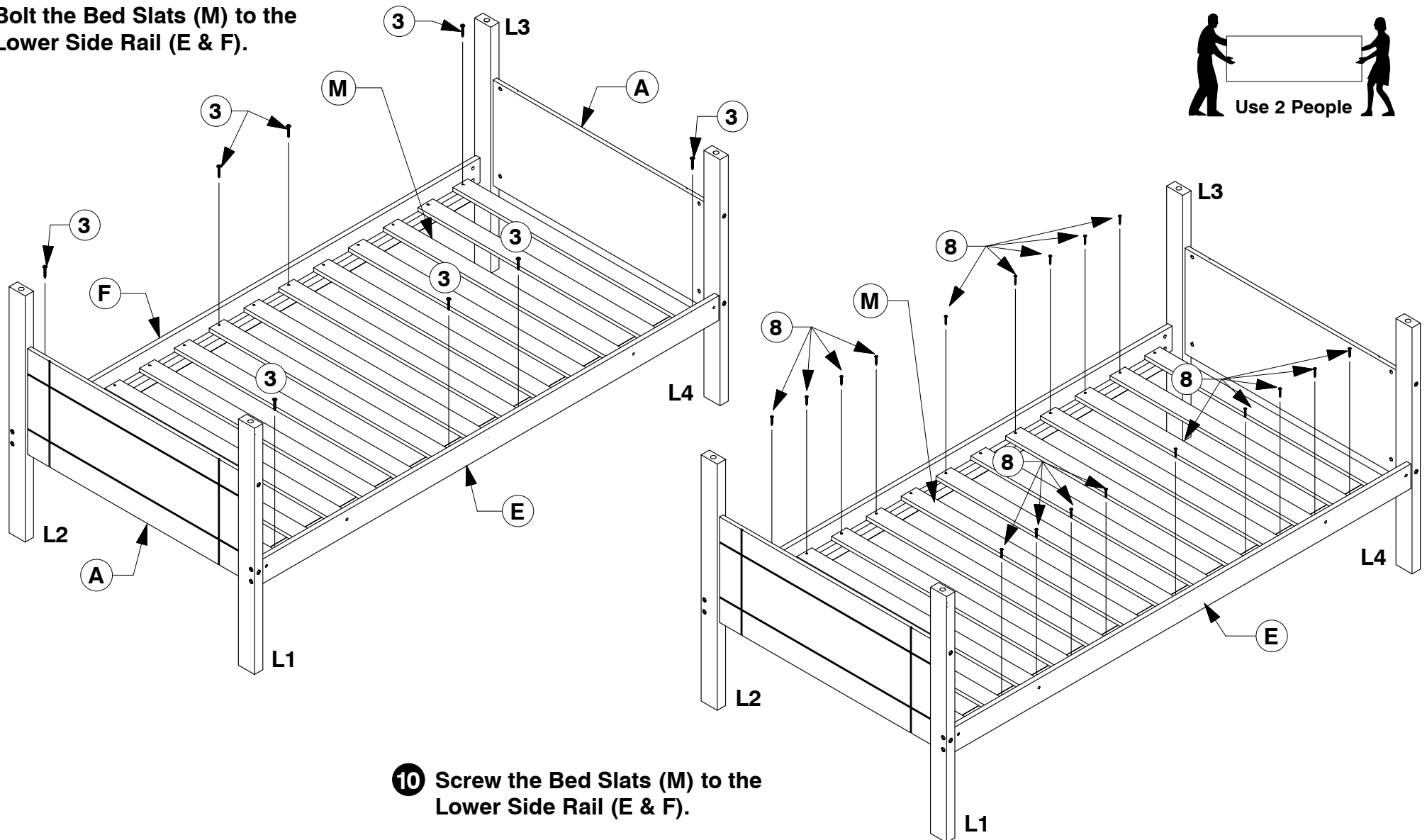
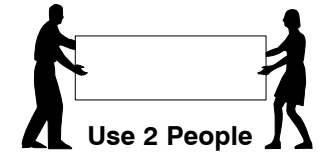
8 Assemble the Lower Side Rail (E & F) to the Lower Frame.

Twin Twin Bunk Bed

Assembly Instructions

WI-1118

- 9** Bolt the Bed Slats (M) to the Lower Side Rail (E & F).



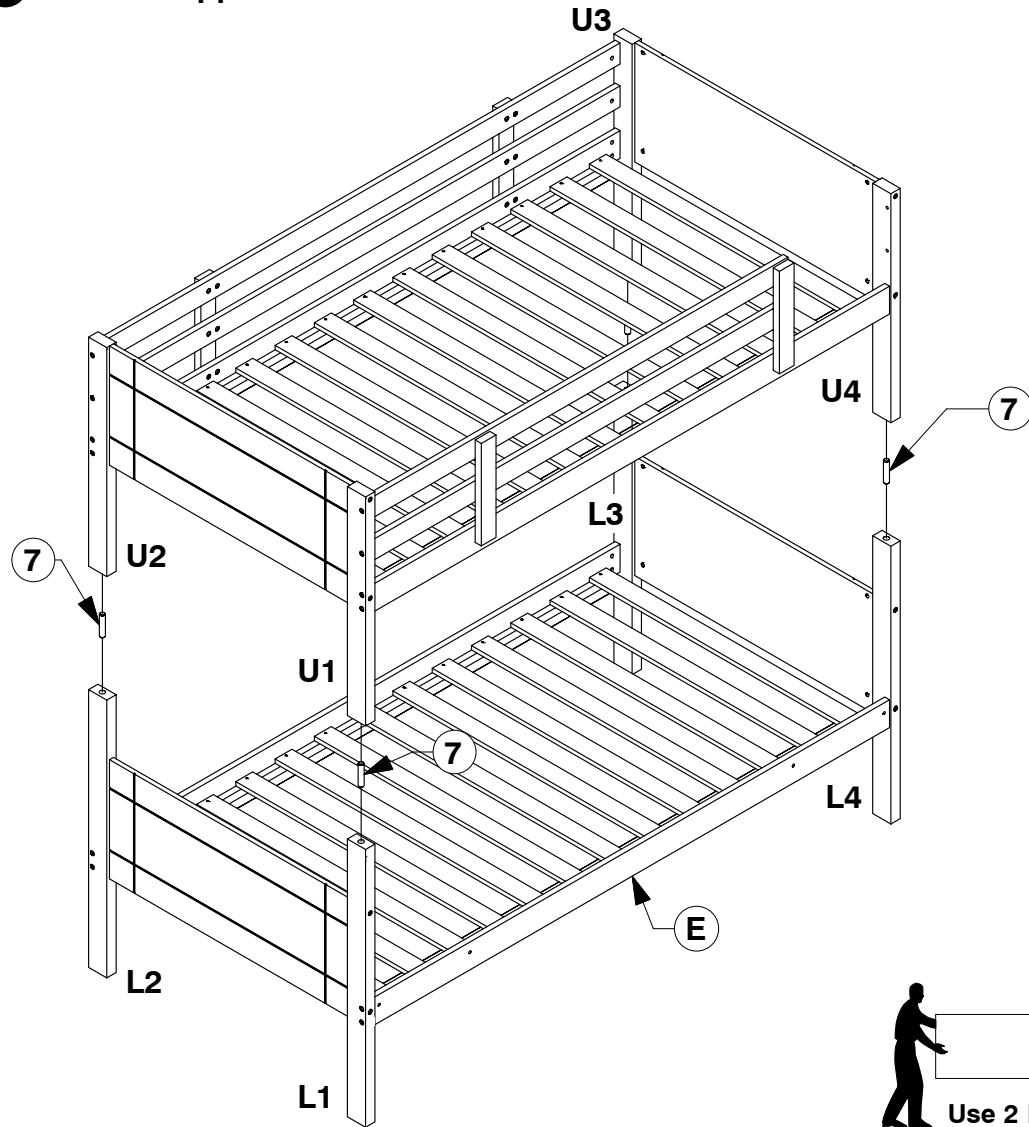
- 10** Screw the Bed Slats (M) to the Lower Side Rail (E & F).

Twin Twin Bunk Bed

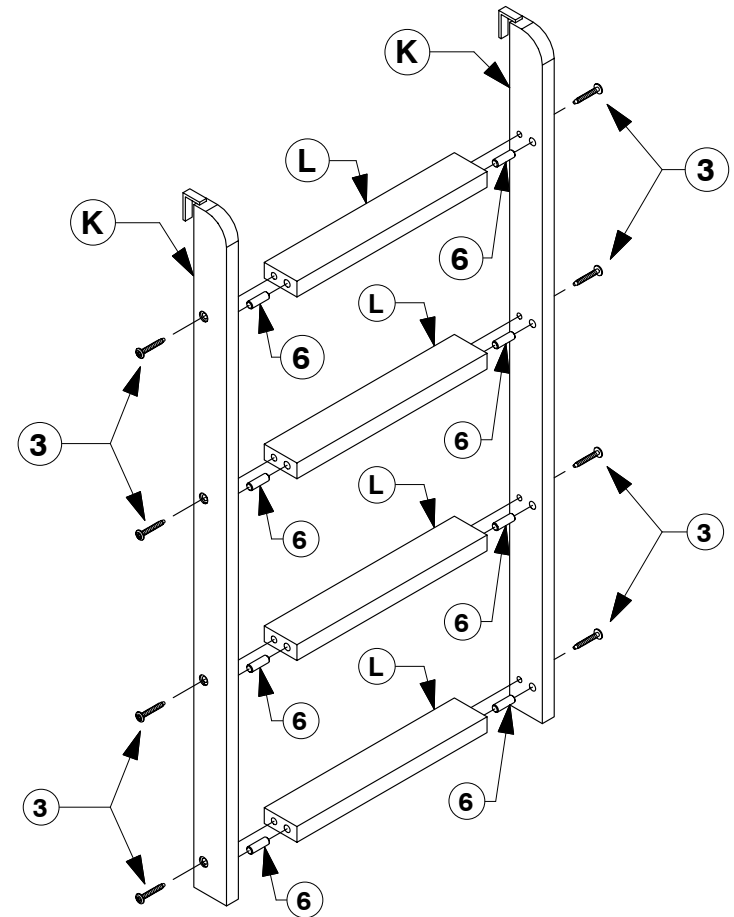
Assembly Instructions

WI-1118

11 Join the Upper & Lower Bunk.



12 Assemble the Ladder (K & L).



Twin Twin Bunk Bed

Assembly Instructions

WI-1118

13 Attach the Ladder in place.

