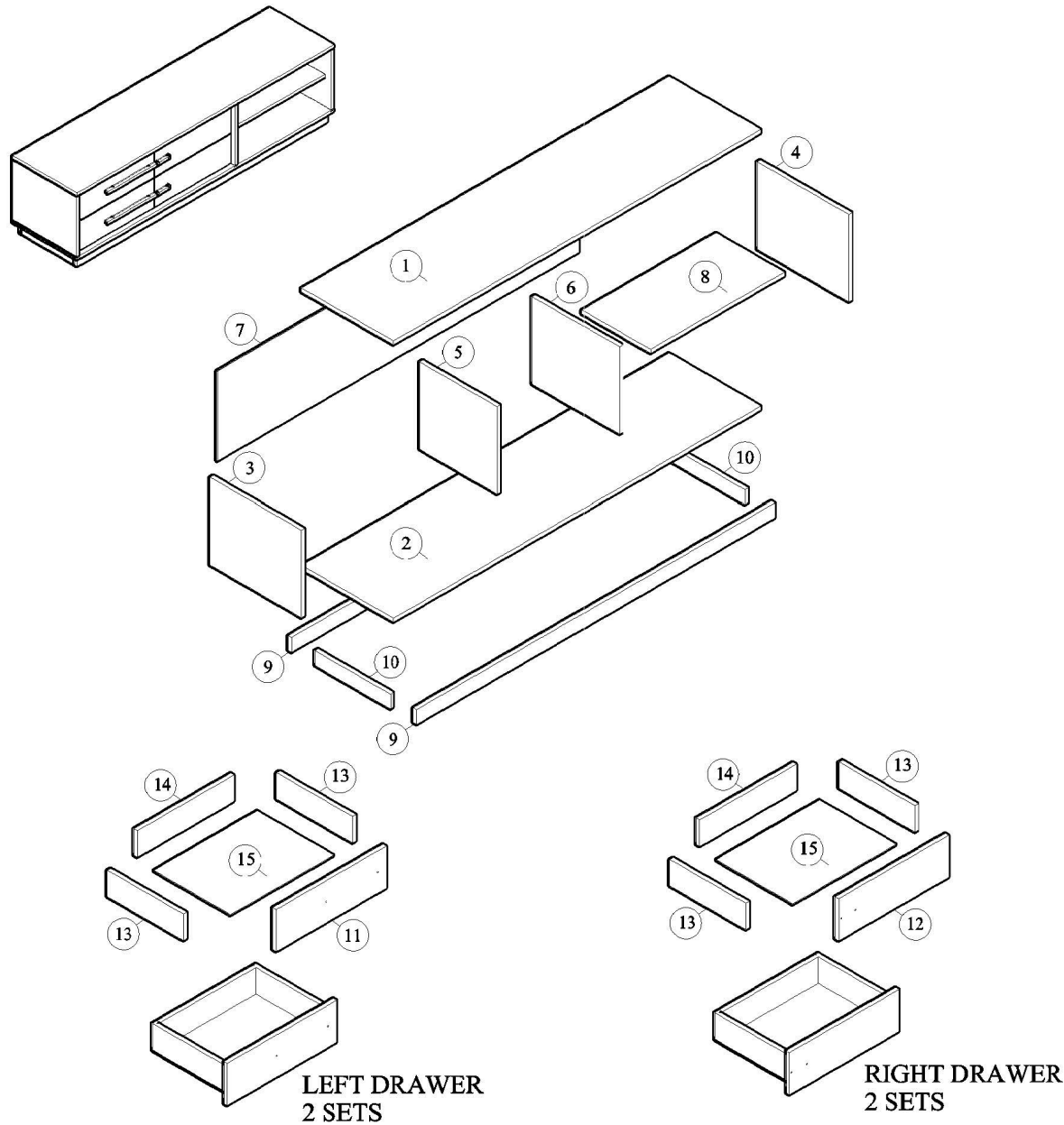
















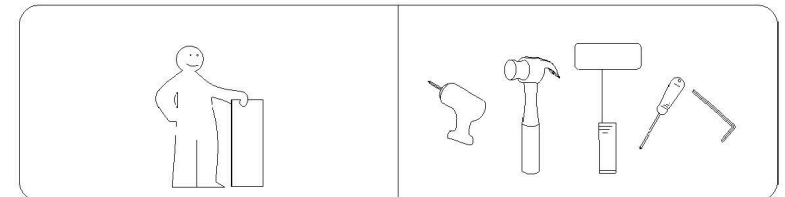
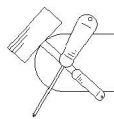


PANEL POSITION



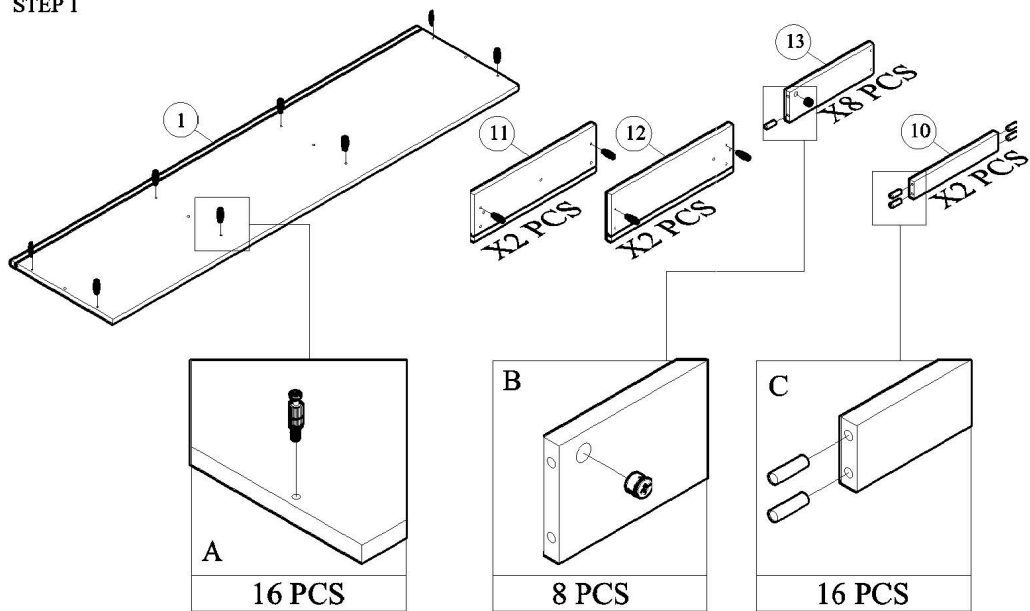
	ACCESSORIES	QUANTITY
A	 MINIFIX M5 x 24MM	16 PCS
B	 MINIFIX CASING	16 PCS
C	 WOOD DOWEL M8 x 30MM	24 PCS
D	 IRON SHELF SUPPORT	4 PCS
E	 DRAWER SLIDE 12" SCREW M3.5 x 12MM	4 SETS 48 PCS
F	 SCREW M4 x 38MM	16 PCS
G	 SCREW M6 x 50MM	8 PCS
H	 SCREW M4 x 65MM	8 PCS
I	 POWER PIN	20 PCS
J	 PVC HANDLE SCREW M4 x 28MM	2 PCS 4 PCS
K	 PVC HANDLE (LONG) SCREW M4 x 28MM	2 PCS 4 PCS
L	 RECTANGLE LEG SCREW M3.5 x 16MM	4 PCS 8 PCS
M	 L- SHAPE PVC LEG SCREW M3.5 x 16MM	4 PCS 8 PCS
N	 ALLEN KEY	1 PC
O	 STUB SCREW M3.5 x 16MM	4 PCS 4 PCS
P	 MINIFIX CAP	4 PCS



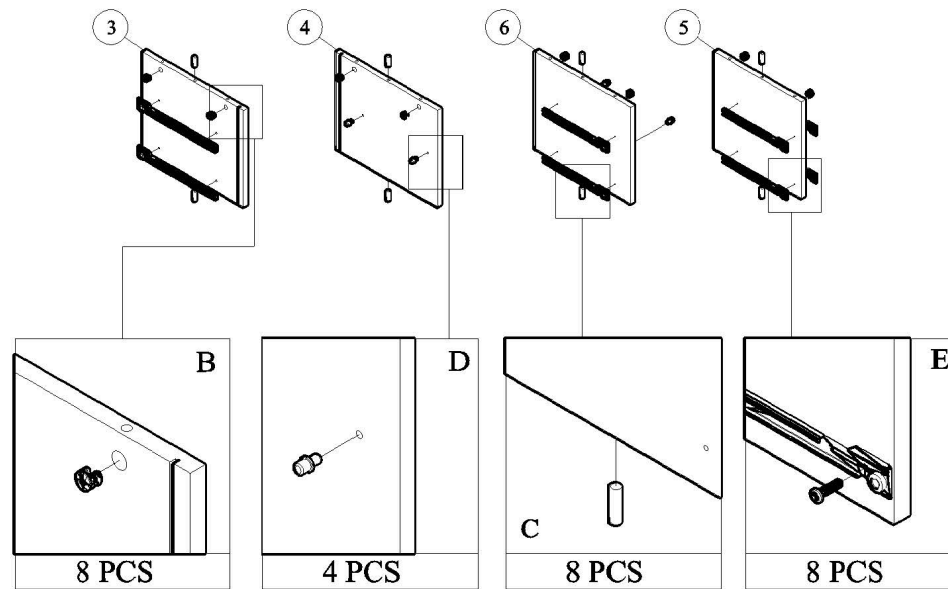


START ASSEMBLY

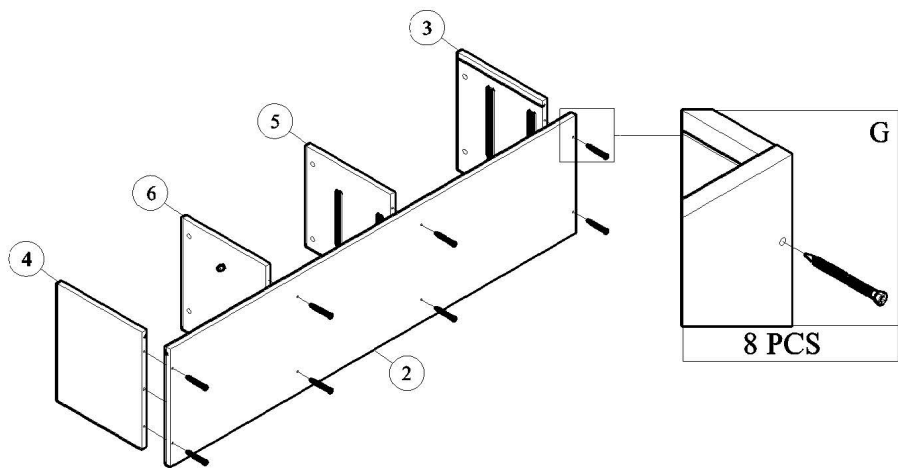
STEP 1



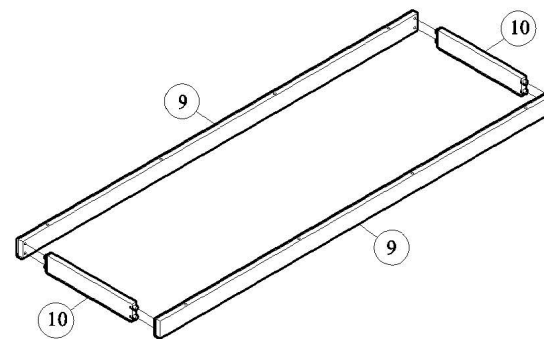
STEP 2



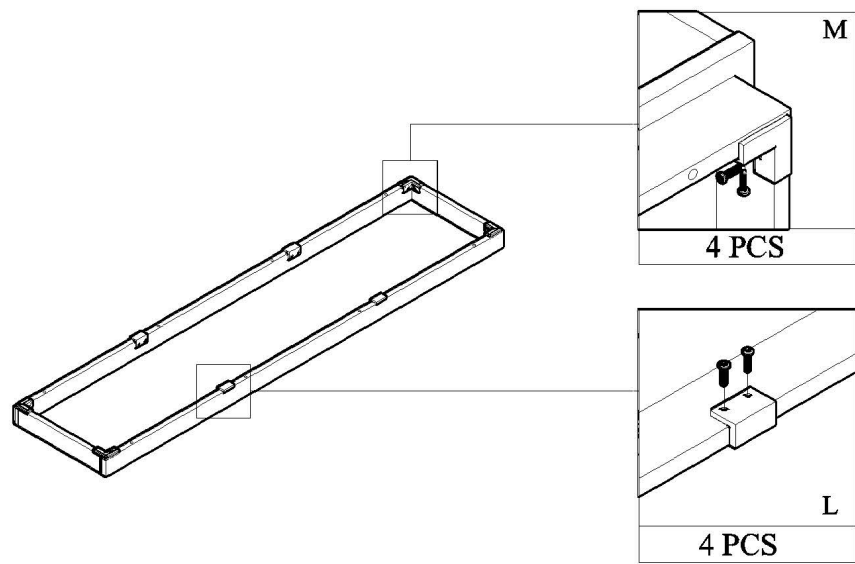
STEP 3



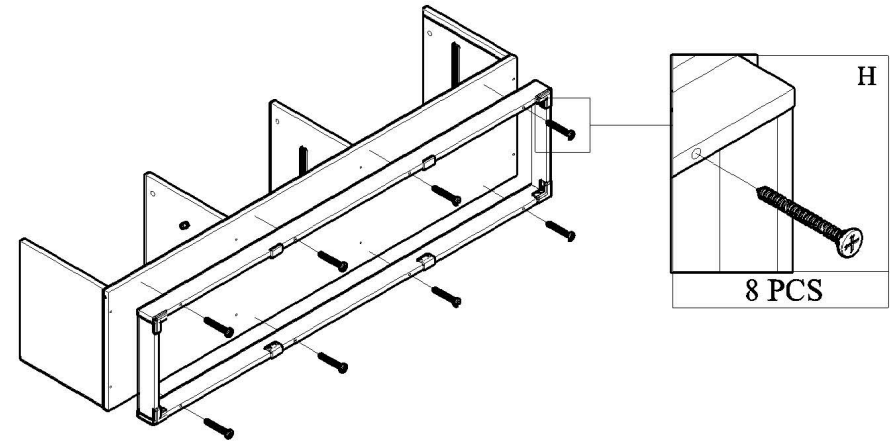
STEP 4



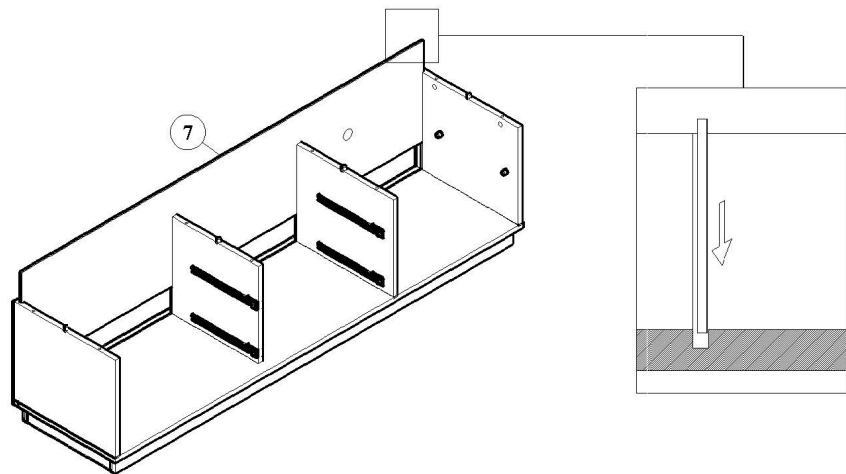
STEP 5



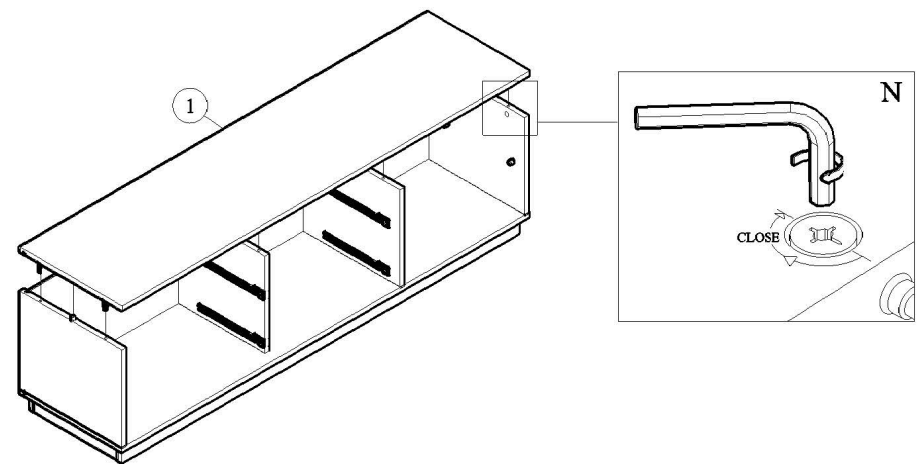
STEP 6



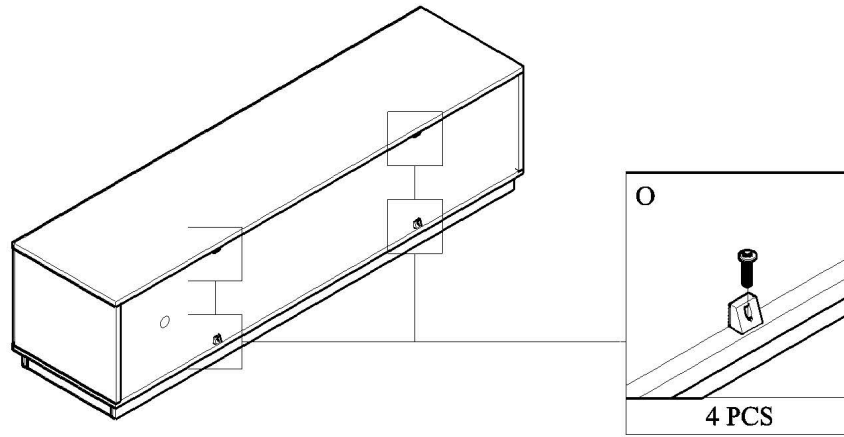
STEP 7



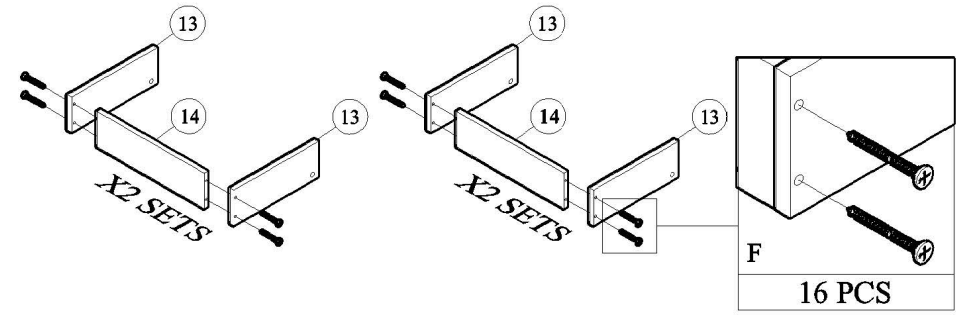
STEP 8



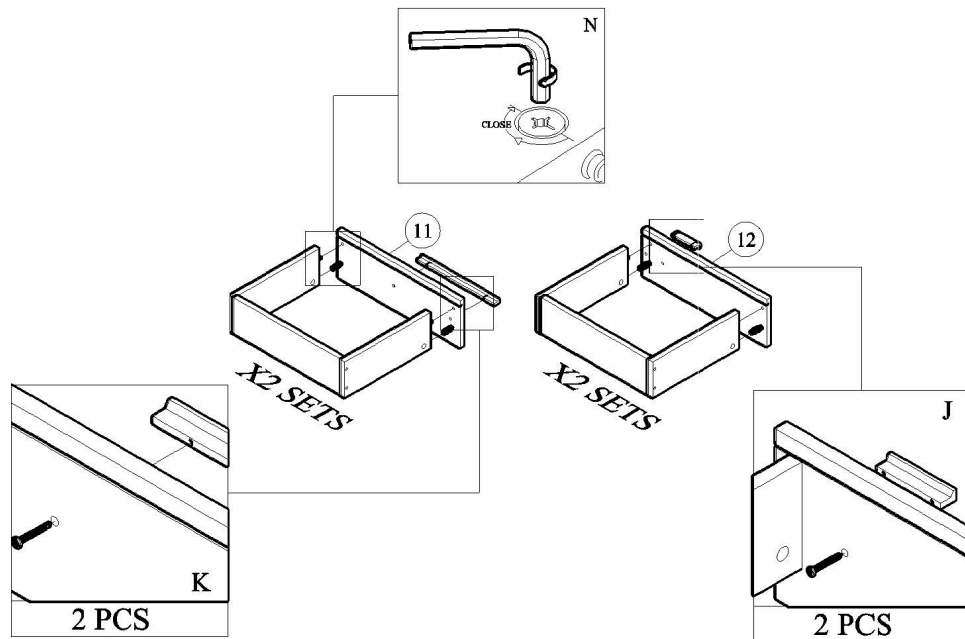
STEP 9



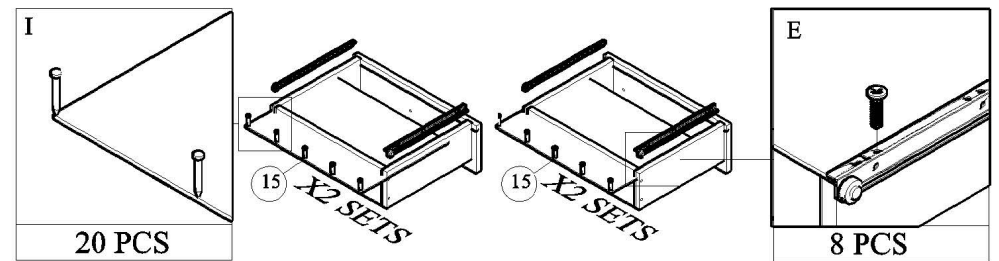
STEP 10



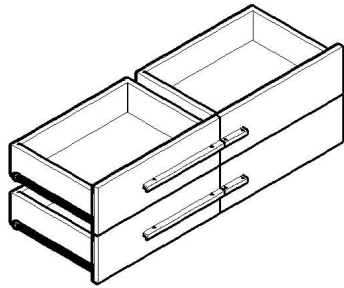
STEP 11



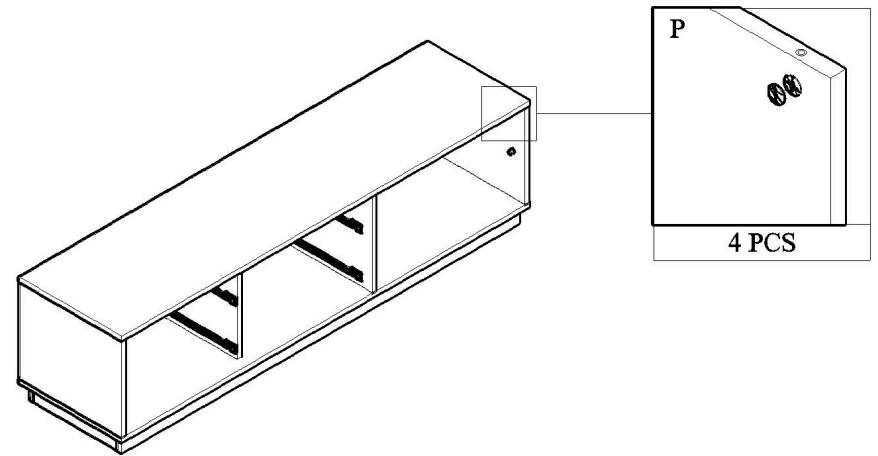
STEP 12



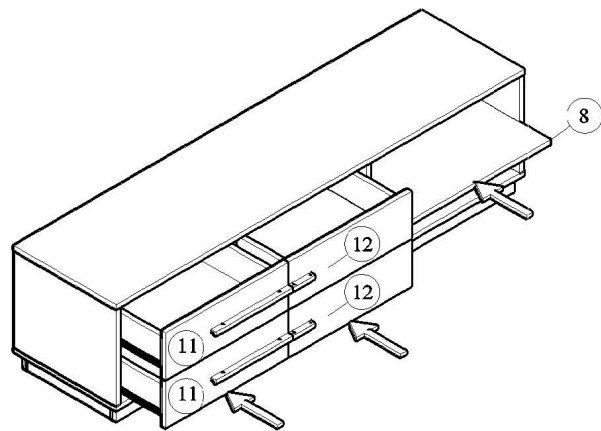
COMPLETED DRAWER



STEP 13



STEP 14



COMPLETED

