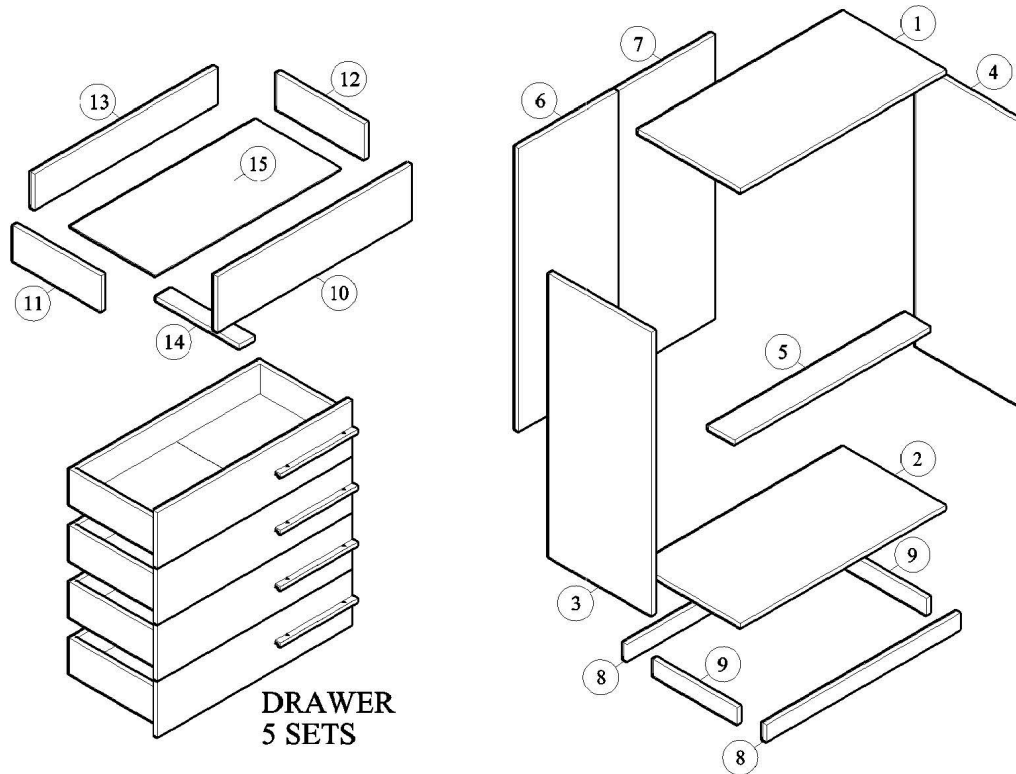
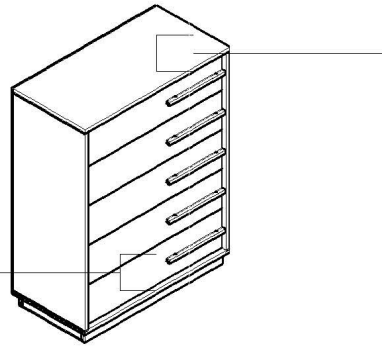











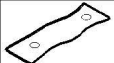



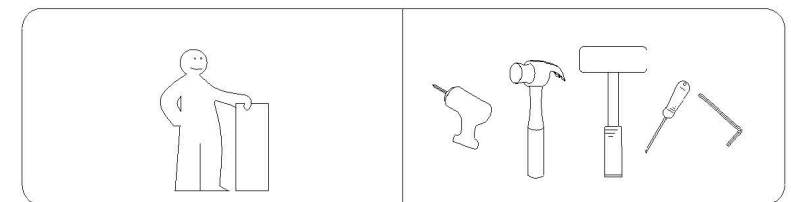
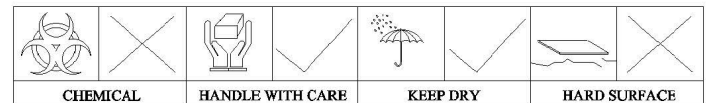


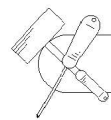
PANEL POSITION



DRAWER  
5 SETS

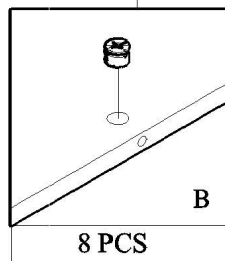
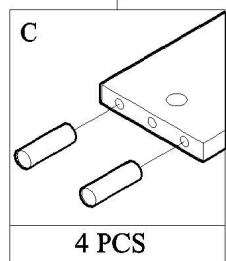
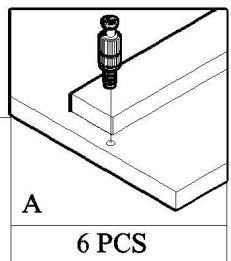
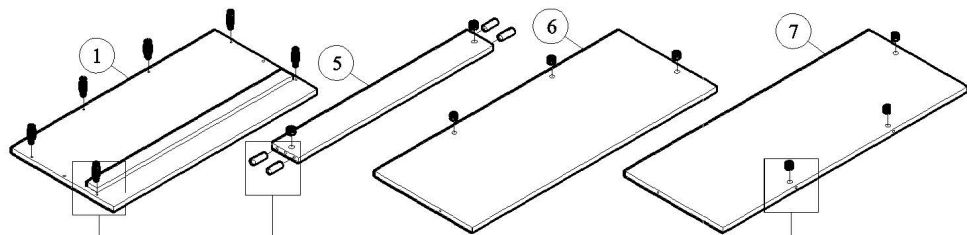
	ACCESSORIES (i)	QUANTITY
A	 MINIFIX M5 x 24MM	22 PCS
B	 MINIFIX CASING	22 PCS
C	 WOOD DOWEL M8 x 30MM	46 PCS
D	 SCREW M4 x 38MM	20 PCS
E	 EXTENSION SLIDE 14" SCREW M3.5 x 12MM	5 SET 60 PCS
F	 SCREW M4 x 65MM	6 PCS
G	 PVC HANDLE (LONG) SCREW M4 x 28MM	5 PCS 10 PCS
H	 SCREW M6 x 50MM	6 PCS
I	 RECTANGLE PVC LEG SCREW M3.5 x 16MM	2 PCS 4 PCS
J	 L-SHAPE LEG SCREW M3.5 x 16MM	4 PCS 8 PCS
K	 ALLEN KEY	1 PC
	ACCESSORIES (ii)	
	 SAFETY BELT	1 PC
	 SCREW M3.5 x 16MM	1 PC
	 SCREW M4 x 30MM	1 PC
	 WALL PLUG	1 PC



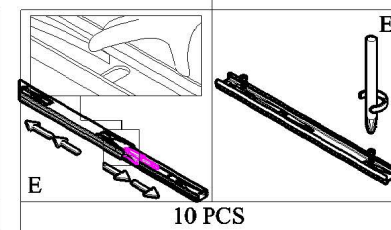
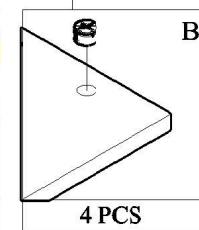
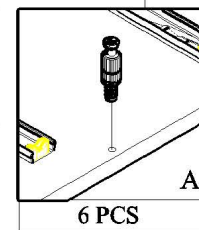
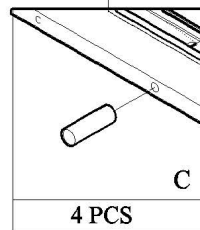
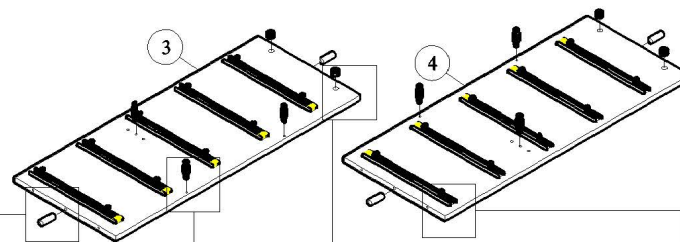


# START ASSEMBLY

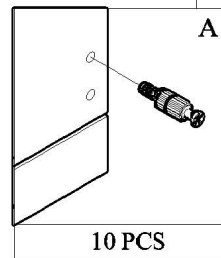
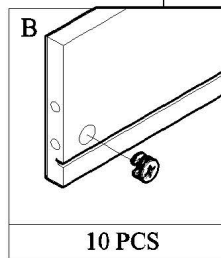
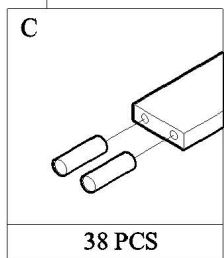
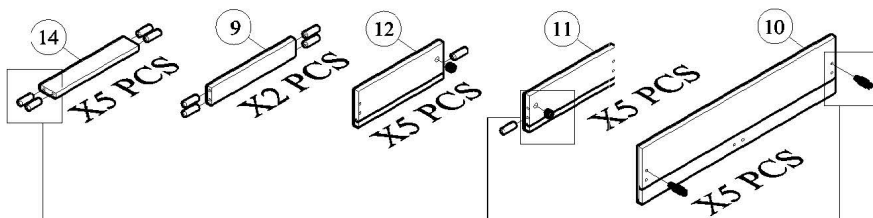
## STEP 1



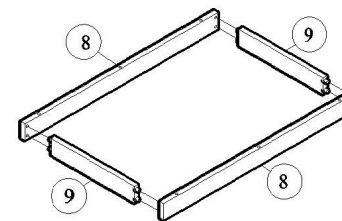
## STEP 2



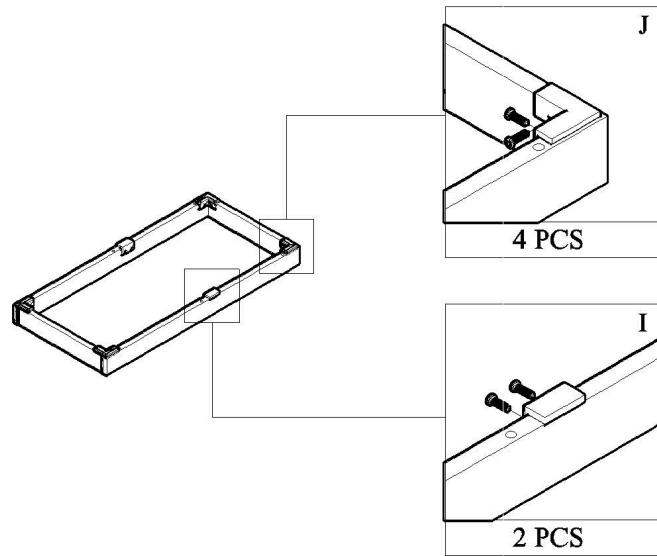
## STEP 3



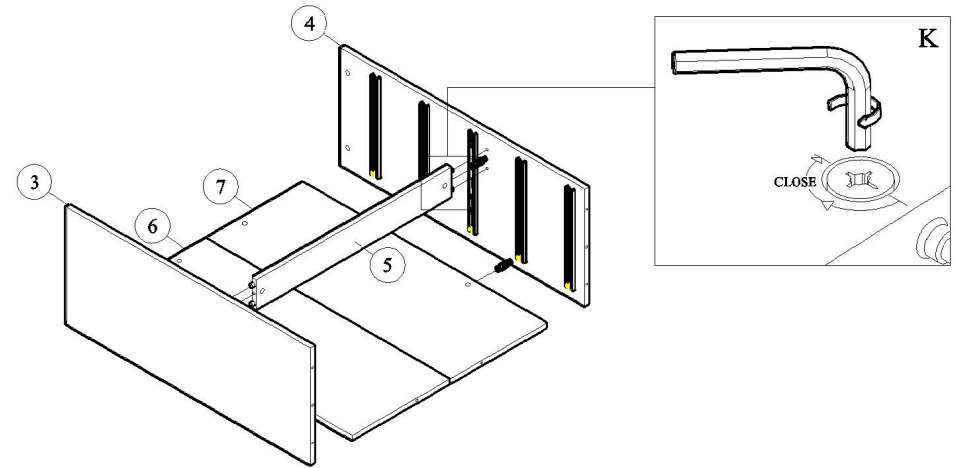
## STEP 4



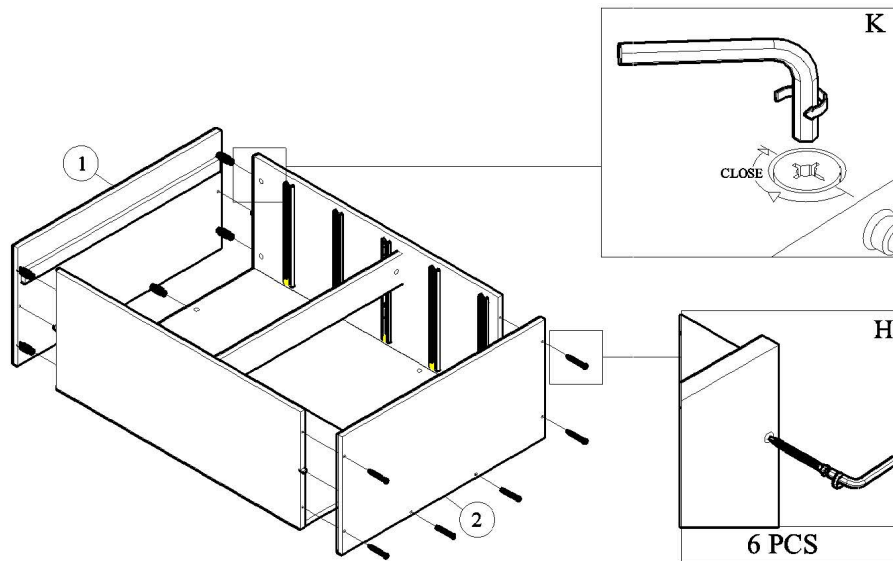
STEP 5



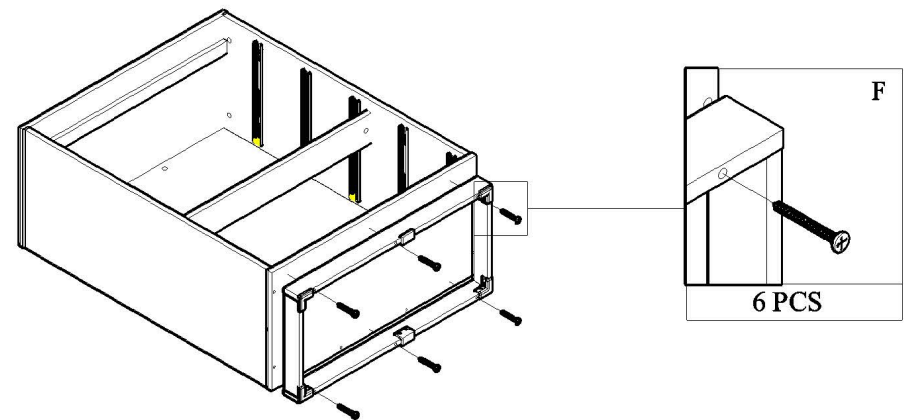
STEP 6



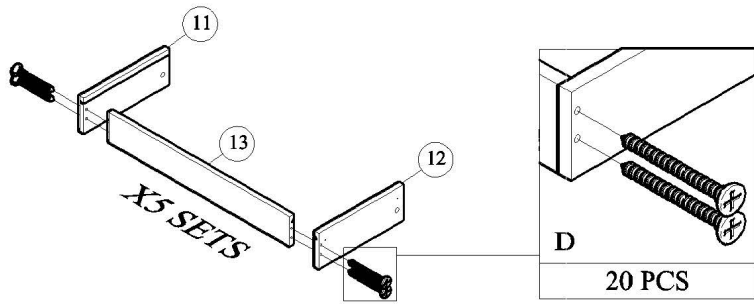
STEP 7



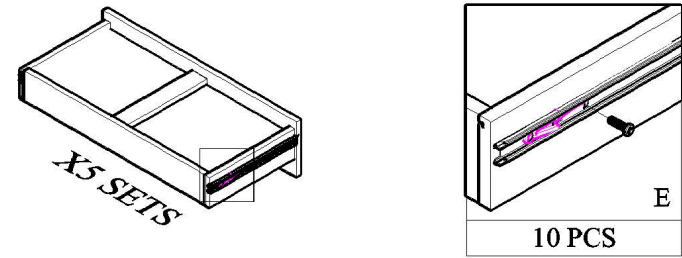
STEP 8



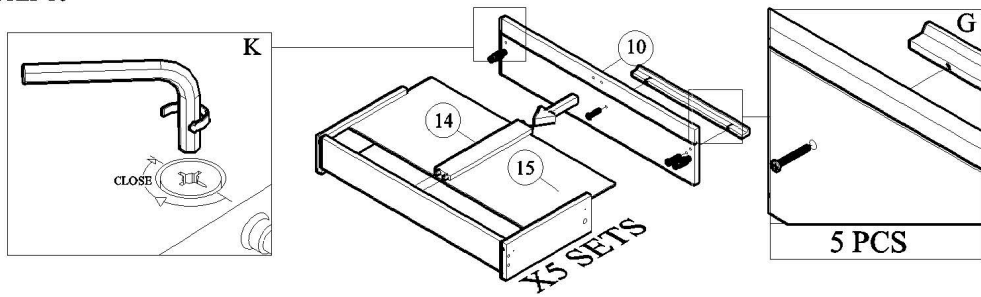
STEP 9



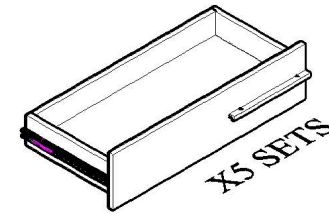
STEP 11



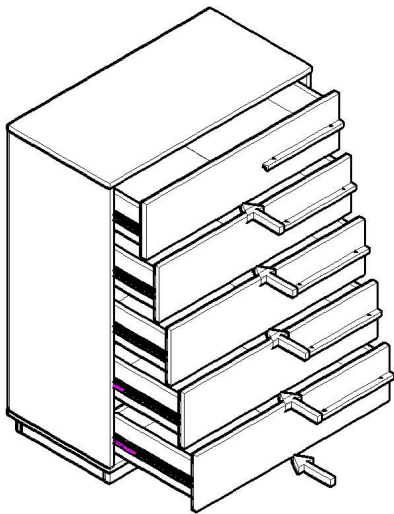
STEP 10



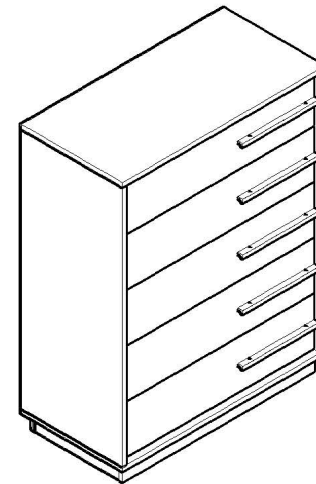
COMPLETED DRAWER

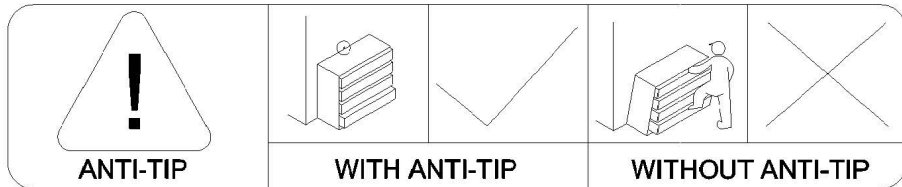


STEP 12



COMPLETED



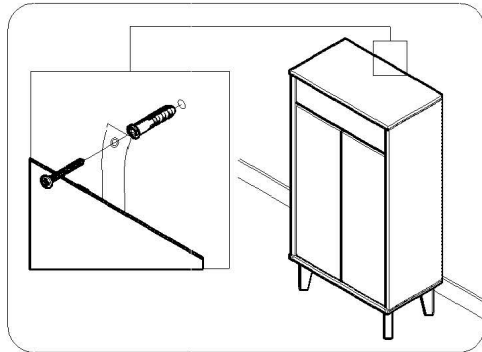
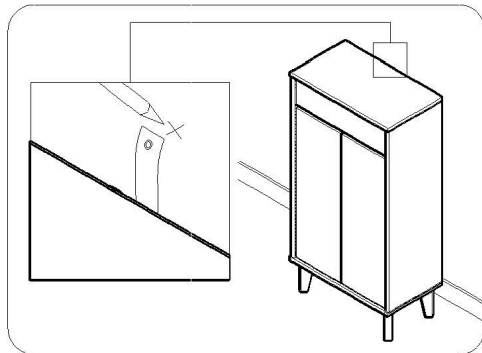
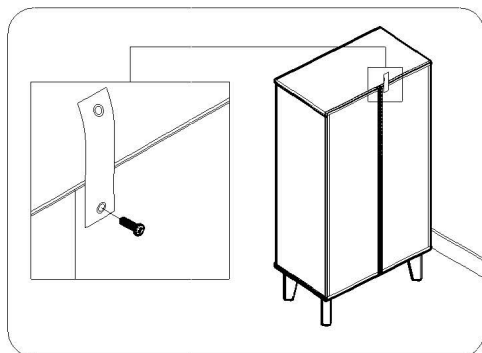
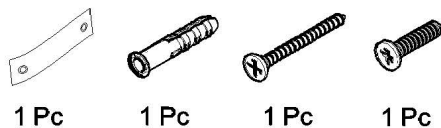


### Installation Instruction :

A tip restraint must be attached to a wall stud using the 2" screw enclosed.

1. Attach a strap to the back top rail or back top edge of the furniture using the 5/8" screw provided.
2. Locate the strap on the wall over a wall stud and 2 inches below the mounting strap secured to the back of your unit. Attach to the wall stud using the 2" screw provided, through the smaller hole.
3. Place the furniture into position so both mounting strap are vertically in line.
4. Lace the end of the restraint strap through the larger hole in each mounting strap. Bring both ends together and slide the flat end through the locking end and draw it through until all slack is removed.
5. Confirm that the strap is securely laced and locked.

Part Include :



### ANTI-TIP DEVICE INSTALLATION INSTRUCTION

#### IMPORTANT SAFETY INSTRUCTIONS

Read and follow all instructions when using the range to prevent the risk of personal injury or damage. This guide does not cover all possible conditions that may occur. Always contact your service agent or manufacturer about problems that you do not understand.

- This is the safety alert symbol. This symbol alerts you to potential hazards that can result in property damage and/or serious bodily harm or death. All safety messages will follow the safety alert symbol and either the word WARNING or CAUTION. These words means:
- WARNING** - Indicates a hazardous situation which, if not avoided, could result in death or serious injury.
- CAUTION** - Indicates a hazardous situation which, if not avoided, could result in minor or moderate injury.

#### ANTI-TIP DEVICE

##### WARNING

- **TO REDUCE THE RISK OF TIPPING, THE APPLIANCE MUST BE SECURED BY A PROPERLY INSTALLED ANTI-TIP DEVICE, TO CHECK IF THE DEVICE IS INSTALLED PROPERLY, VERIFY THAT ANTI DEVICE IS ENGAGED, OR GRASP THE TOP REAR EDGE OF THE RANGE BACK GROUND AND CAREFULLY ATTEMPTED TO TILT IT FORWARD.** Refer to the installation section for instructions.
- A child or adult can tip the range and be killed.
- Install the anti-tip device to the structure and/or the range. Verify the anti-tip device has been properly installed and engaged following the instructions on the anti-tip bracket template.
- Engage the range to the anti-tip device following the instructions on the anti-tip bracket template. Ensure the anti-tip device is re-engaged when the range is moved by following the instruction on the anti-tip bracket template.
- Re-engage the anti-tip device if the range is moved. Do not operate the range without the anti-tip device in place and engaged.
- See installation instruction for details.
- Failure to do so can results in death or serious injury to children or adults.
- Never remove the dresser/chest of drawer legs. The range will not be secured to the anti-tip bracket it the legs are removed.
- Do not step or sit on drawers. The range could be tipped and injury might result.
- Do not rest large heavy items on the open drawer. The range could tip forward and cause injury.
- Re-engage the anti-tip device after pulling the range out for moving or any other reason.
- Failure to follow these instructions can result in serious injury or death to children or adults.

Manufactured by : S&E Enterprise Sdn Bhd

Address : PLO 65, No;K16, Kawasan Perindustrian Tanjung Agas, 84000 Muar, Johor, West Malaysia.

03/2018