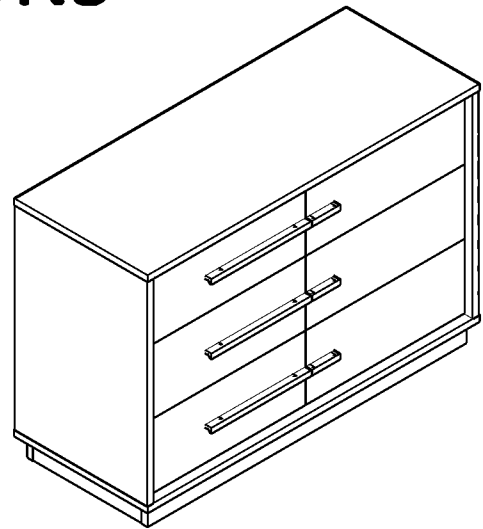


# ASSEMBLY INSTRUCTIONS

## LV3 COD 3230WI

Thank you for you purchase.  
 Before assembly, please read these instructions.  
 Please read all warnings.  
 Store this instruction manual for future reference.



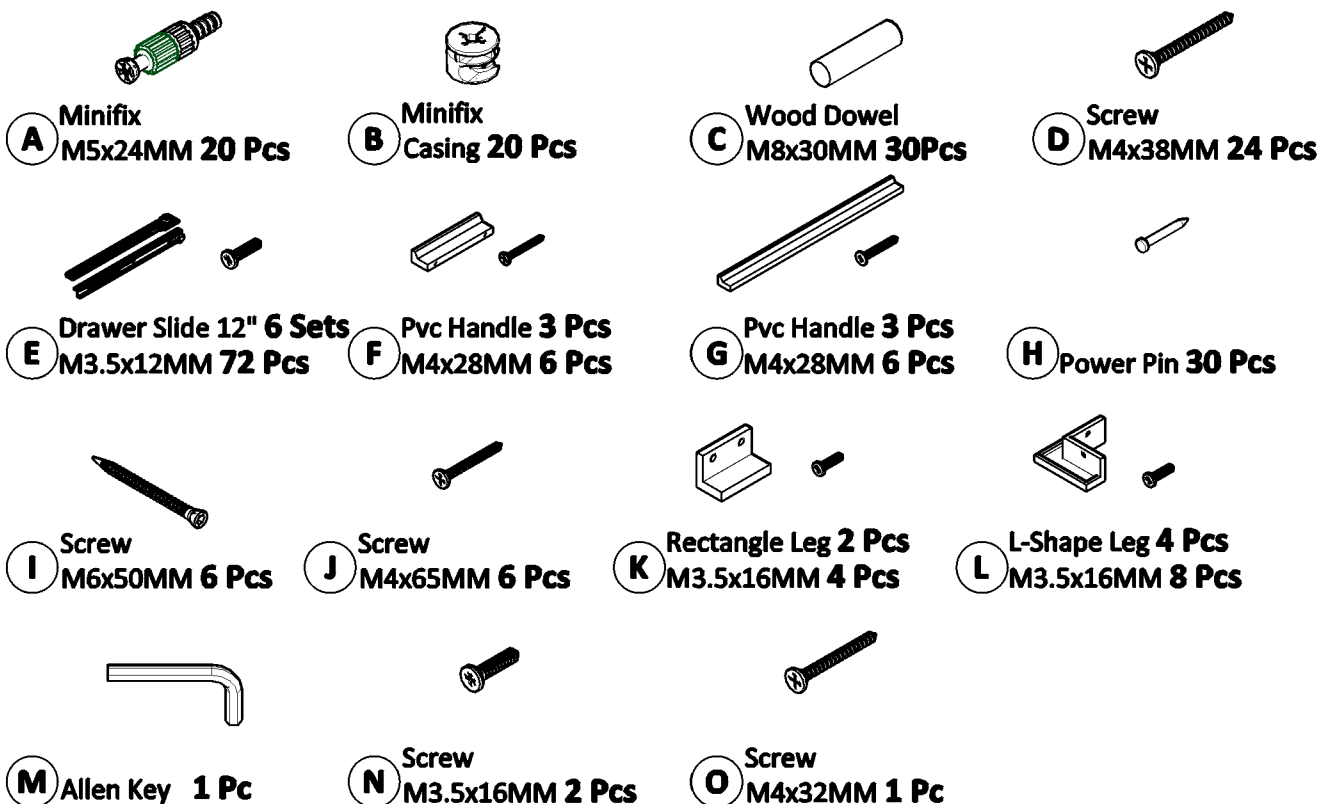
Product Size	Approximately <b>400</b> Width x <b>1000</b> Length x <b>675</b> Height (MM)
Main Materials	MDF (Medium Density Fiberboard)
Weight Capacity	Top insert: About <b>30KG</b> , Shelf insert: About <b>10KG</b> , ※ These are measured figures, not guaranteed figures.
Time To Assembly	About <b>60</b> Minutes

### Assembly Warning

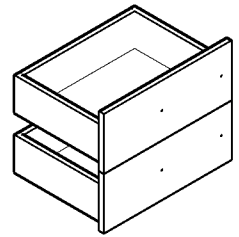
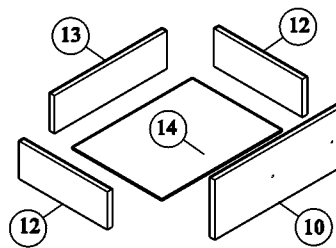
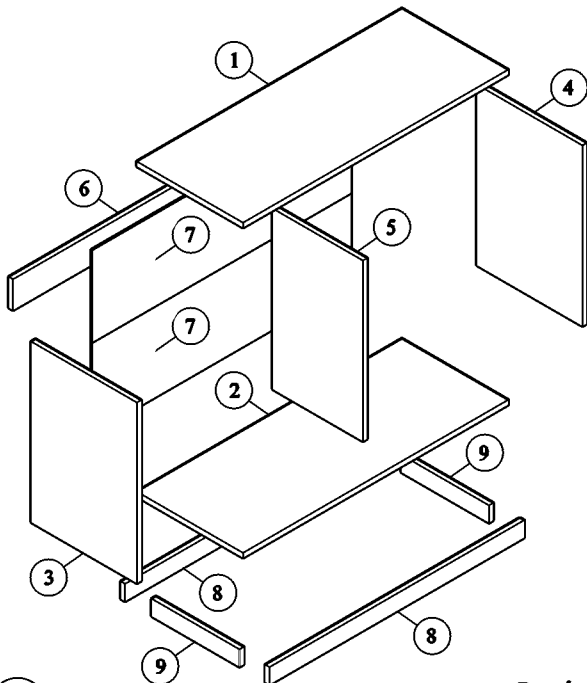
- Assembling with 2 or more people is recommended.
- Please assemble at a spacious and flat place
- Please place blankets or cardboard so floor or walls will not be scratched
- Please ventilate the area if there is a strong glue odor after opening the product
- Please follow assembly instructions
- Please have the below tools ready before assembling
  - Screwdriver, Scissors or Blade Box cutter, Rubber hammer, Drill

### Hardware

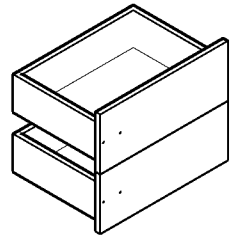
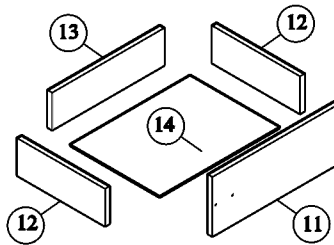
Before assembly, inspect unit for missing parts. Be sure that children do not accidentally swallow these parts.  
 ※ Same sized parts are in a bag. Please check the size of the screws.



# Parts



**LEFT DRAWER 3 SETS**


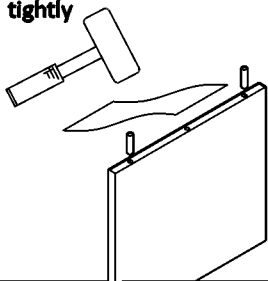
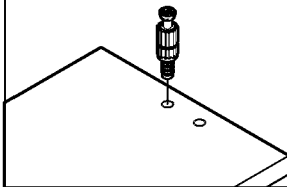
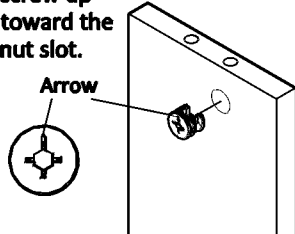

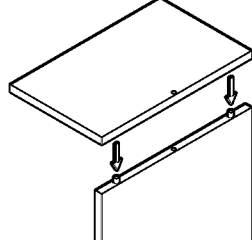
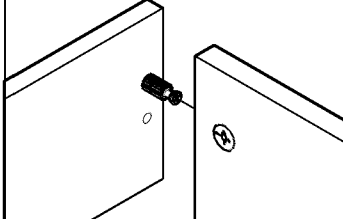
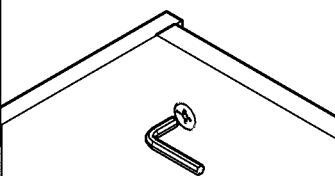


**RIGHT DRAWER 3 SETS**

- |                      |      |                         |        |
|----------------------|------|-------------------------|--------|
| ① Top Panel          | 1 Pc | ⑦ Back Mdf Board        | 2 Pcs  |
| ② Bottom Panel       | 1 Pc | ⑧ Long Leg Frame        | 2 Pcs  |
| ③ Side Panel (L)     | 1 Pc | ⑨ Short Leg Frame       | 2 Pcs  |
| ④ Side Panel (R)     | 1 Pc | ⑩ Drawer Face Panel (L) | 3 Pcs  |
| ⑤ Center Panel       | 1 Pc | ⑪ Drawer Face Panel (R) | 3 Pcs  |
| ⑥ Back Support Panel | 1 Pc | ⑫ Drawer Side Panel     | 12 Pcs |
|                      |      | ⑬ Drawer Back Panel     | 6 Pcs  |
|                      |      | ⑭ Drawer MDF Board      | 6 Pcs  |

# Assembly Information

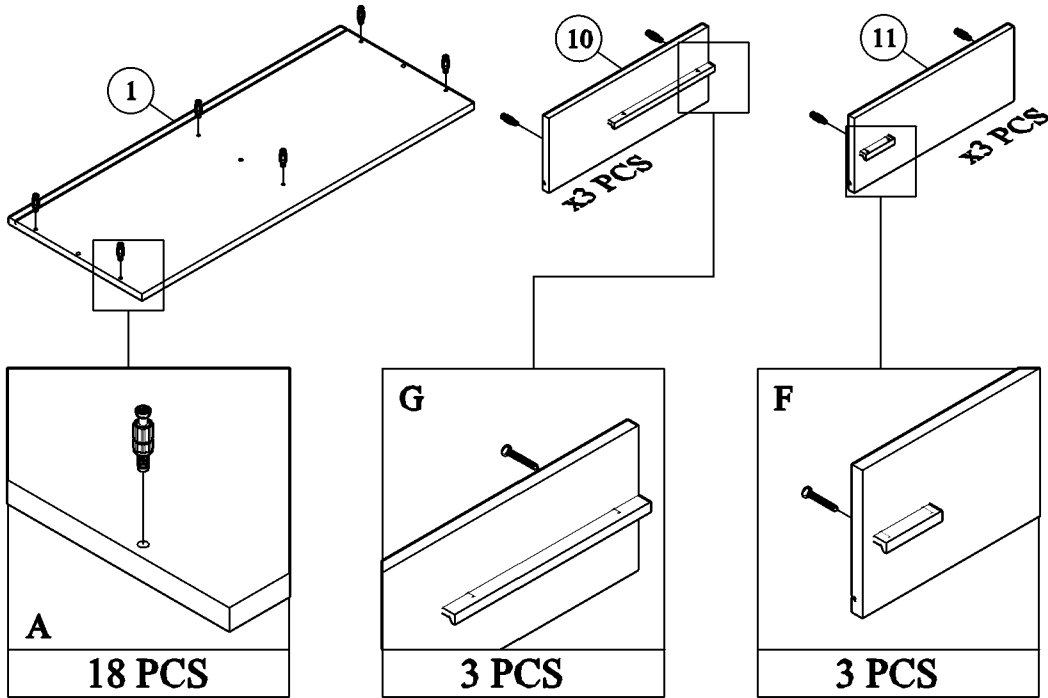
- Assemble screws
- Assemble Wood Dowels
- Assemble Minifix

<p><b>1. Screw up to half point to make sure all spots are lined up</b></p> 	<p><b>1. Insert dowels into holes tightly</b></p> 	<p><b>1. Screw Up Minifix M5X24MM into holes. Tighten all Minifix.</b></p> 	<p><b>2. Insert Minifix Casing into holes. Set the arrow of the screw up toward the nut slot.</b></p> 
<p><b>2. Tighten all screws</b></p> 	<p><b>2. Attach the insert holes along with dowels</b></p> 	<p><b>3. Insert Minifix M5X24mm and Minifix Casing together into the slot</b></p> 	<p><b>4. Tighten the cam lock screw</b> *Use Allen Key or Screwdriver</p> 

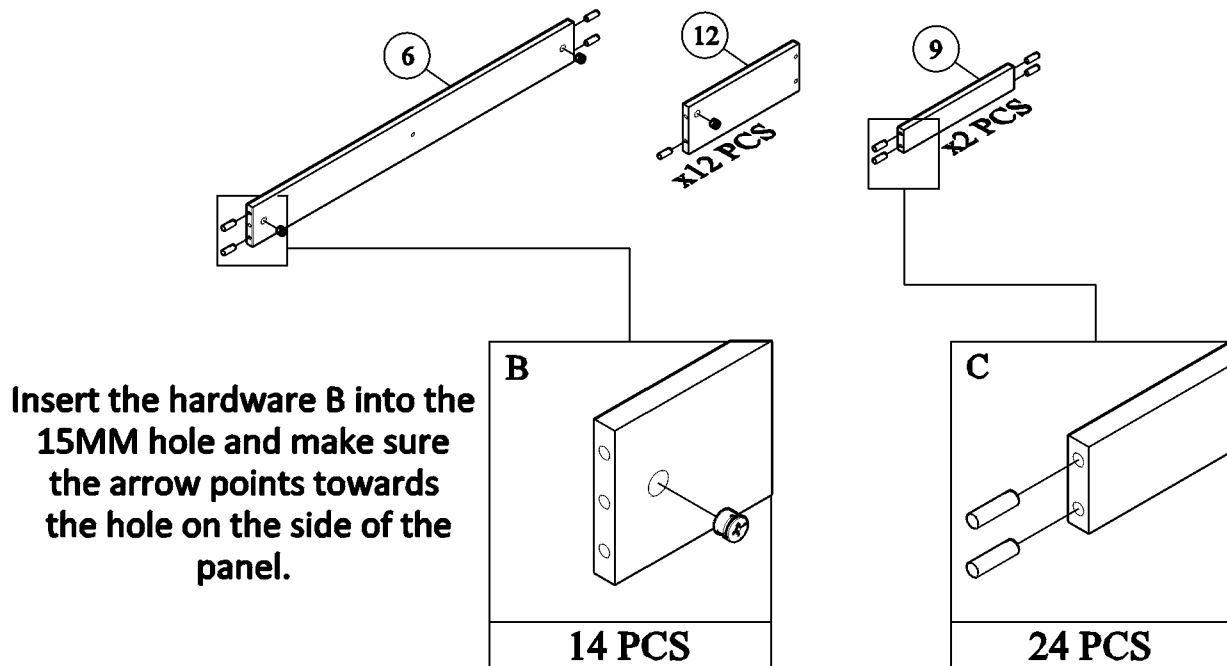
# Assembly Step

Failure to follow these directions could cause poor strength or stability.  
Insert screws loose to line up with slots then tighten up each screw.

1

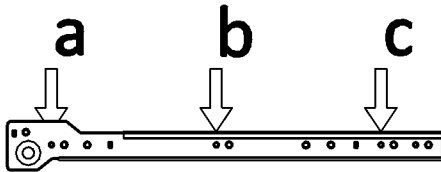
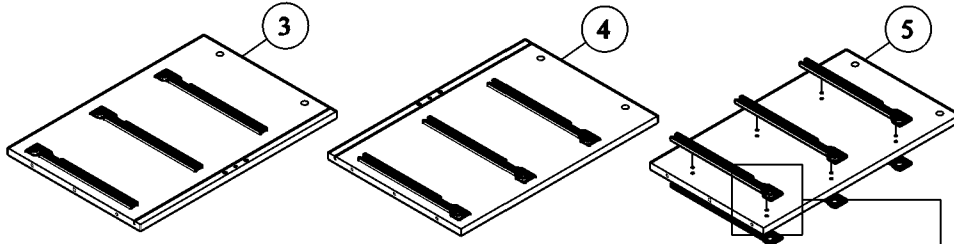


2



# Assembly Step (Continue)

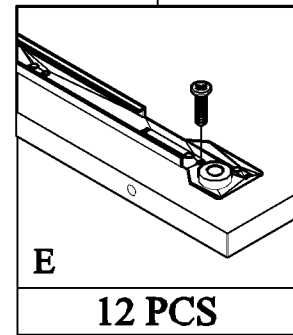
3



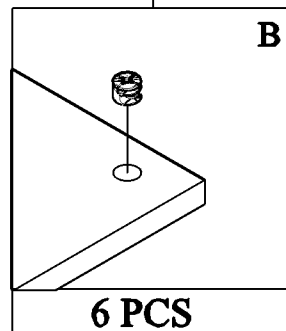
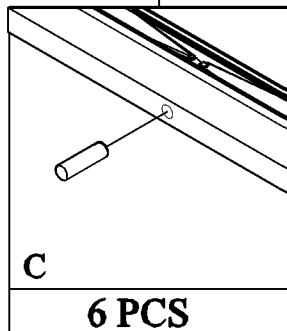
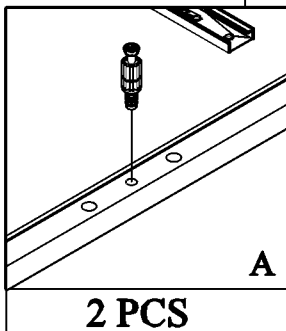
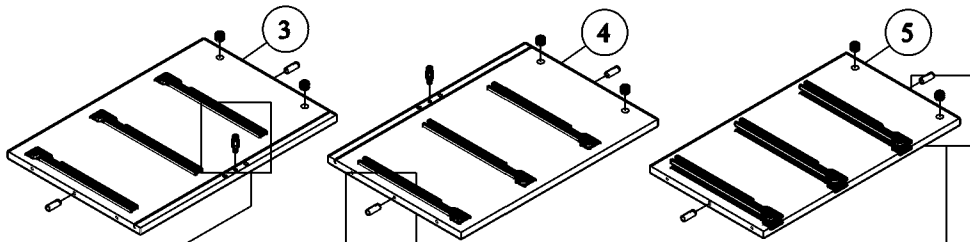
# Screw in hole a,b and c

# CL for panel 3 & 5

# CR for panel 4 & 5



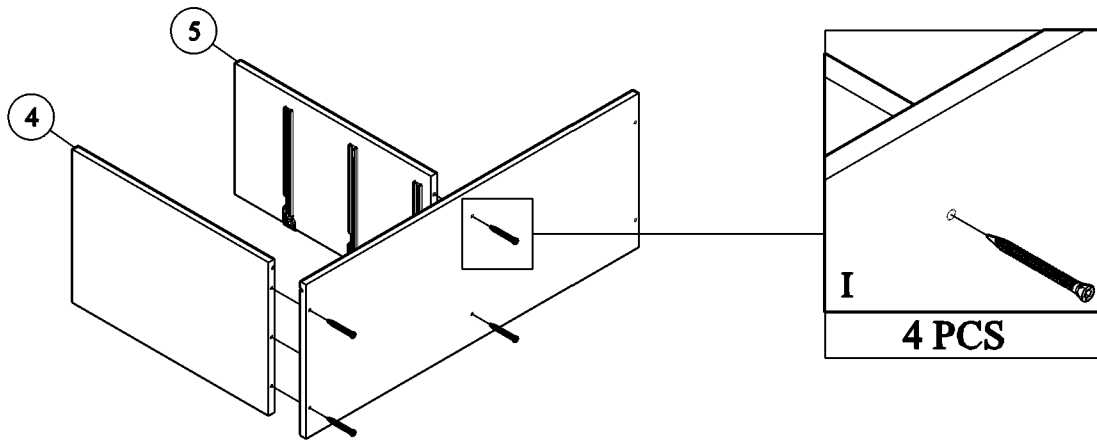
4



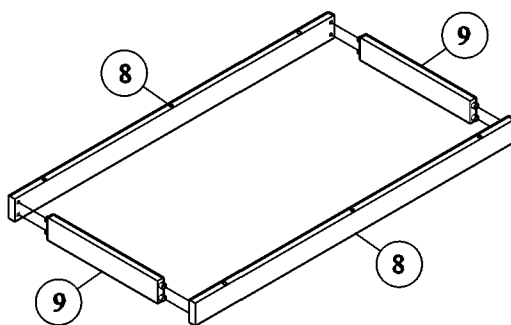
**B** Insert the hardware B into the 15MM hole and make sure the arrow points towards the hole on the side of the panel.

# Assembly Step (Continue)

5

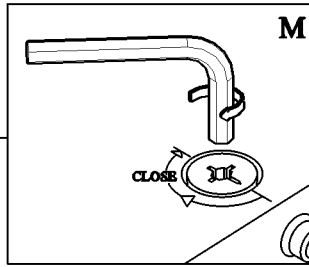
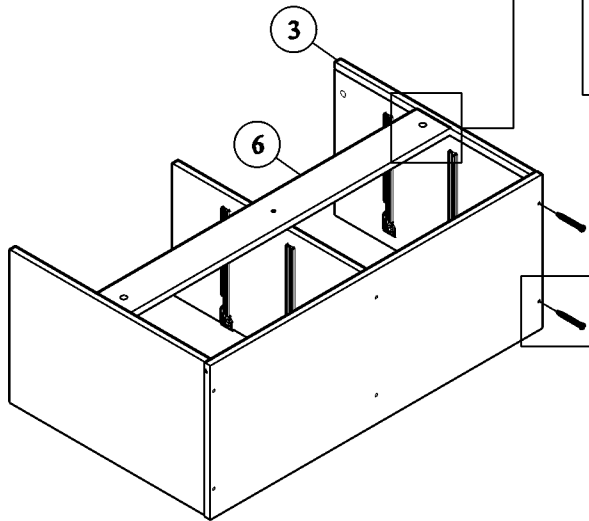


6

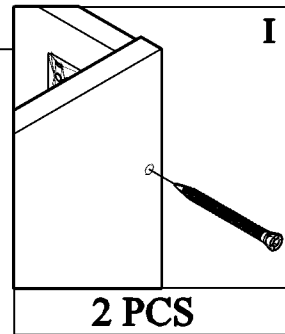


## Assembly Step (Continue)

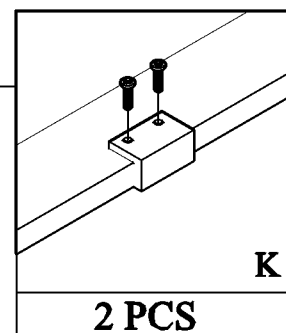
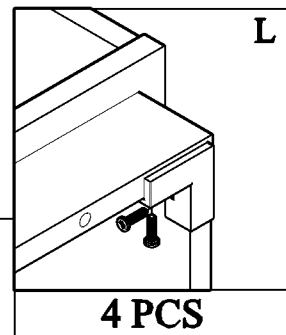
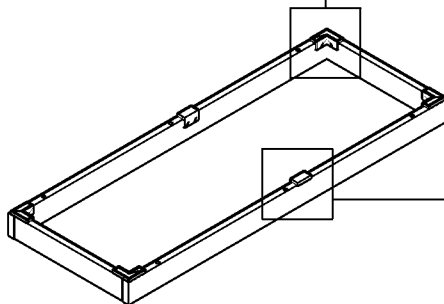
7



Use allen key and turn clockwise until the arrow is pointing downwards.

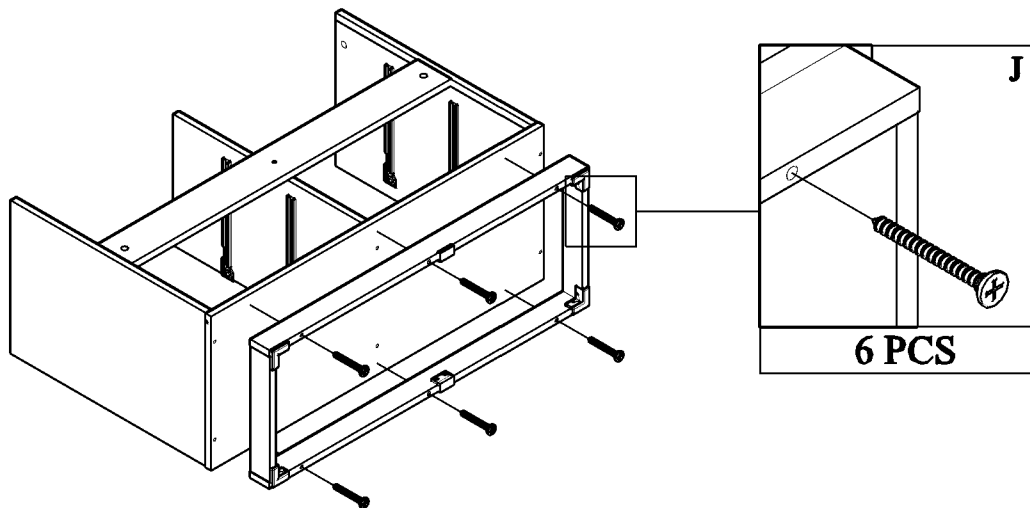


8

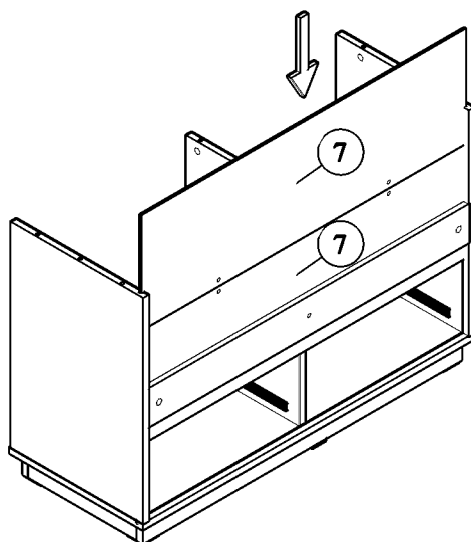


# Assembly Step (Continue)

9

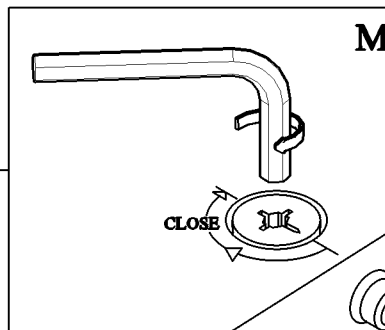
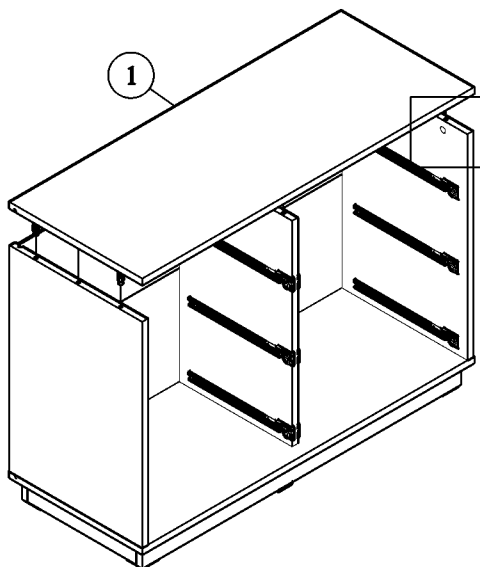


10



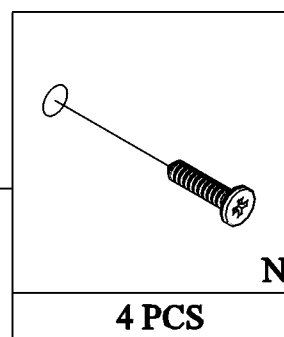
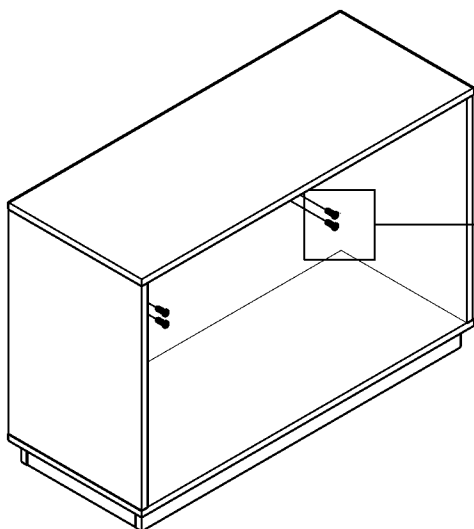
## Assembly Step (Continue)

11



Use allen key and turn clockwise until the arrow is pointing downwards.

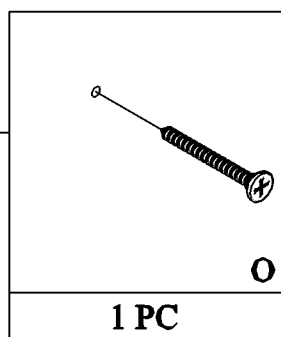
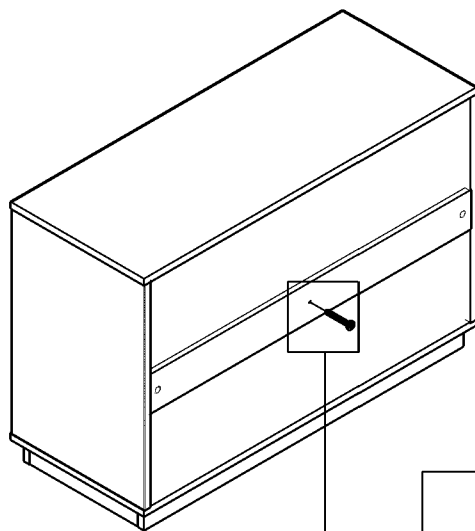
12



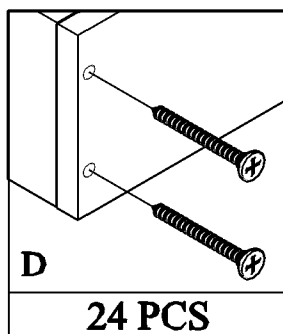
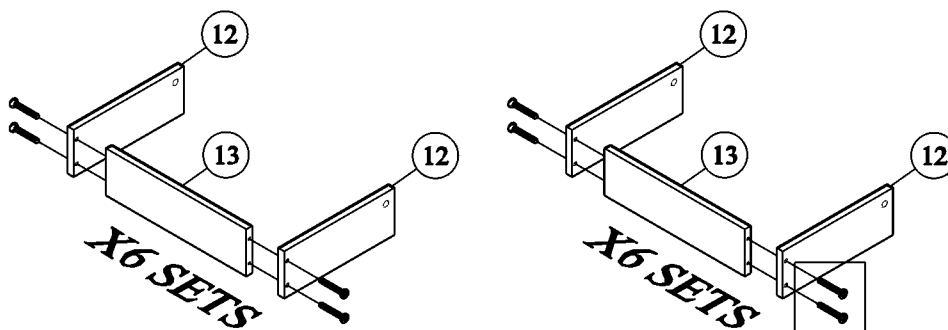


# Assembly Step (Continue)

13

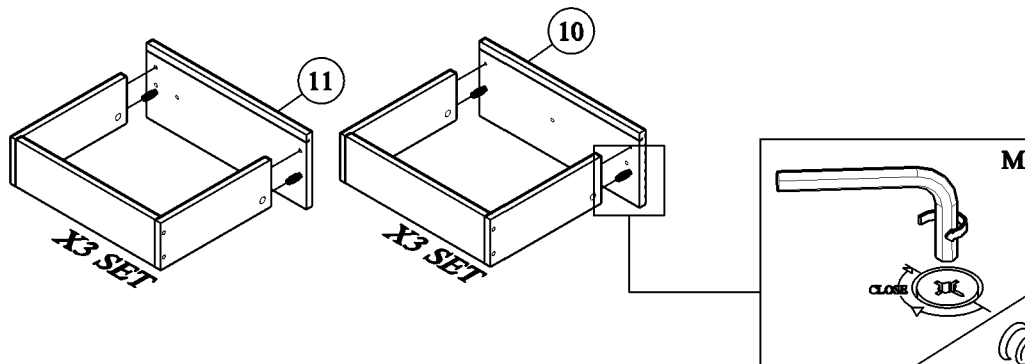


14



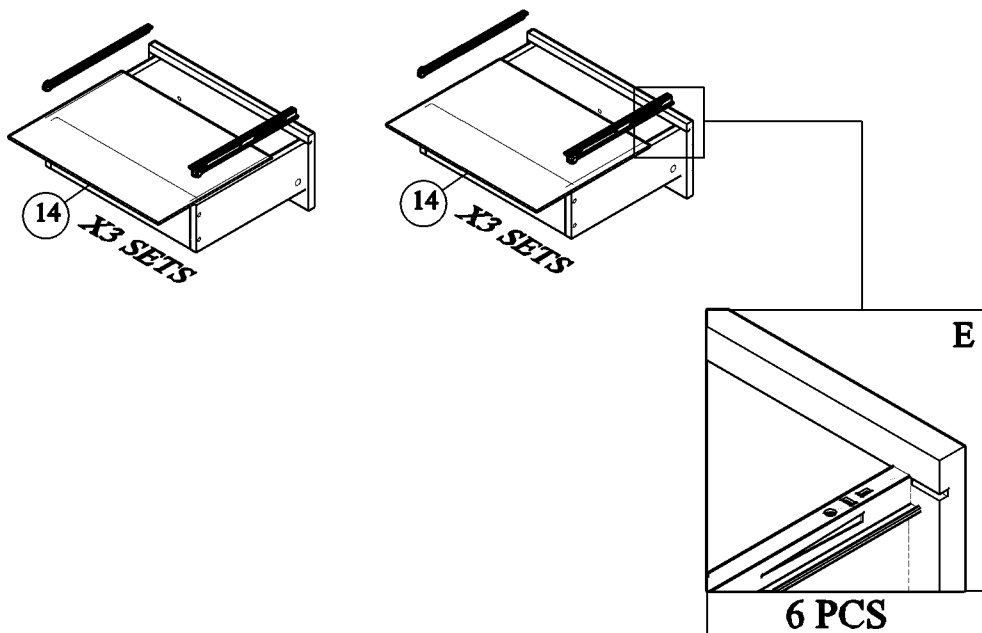
## Assembly Step (Continue)

15



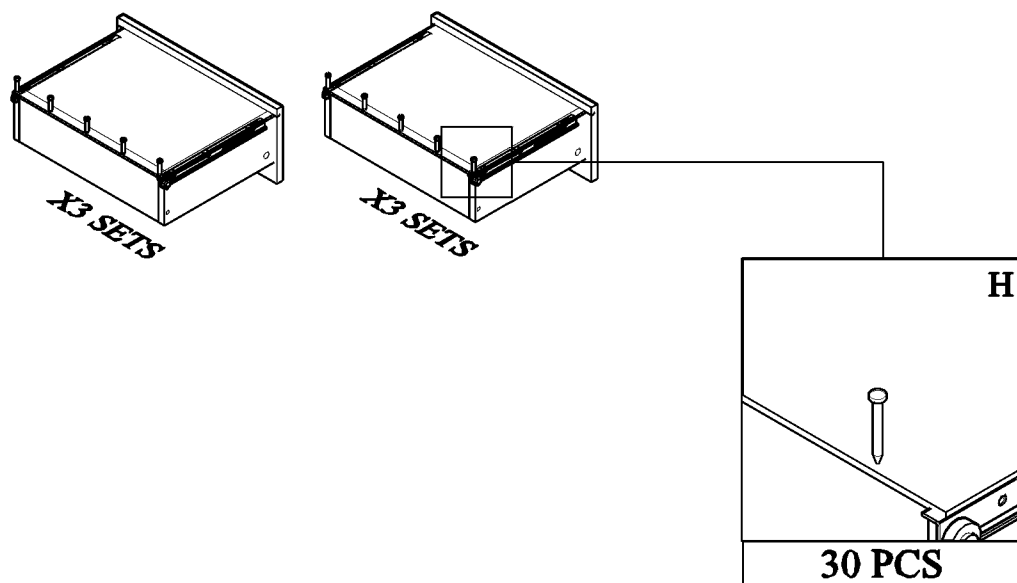
Use allen key and turn clockwise until the arrow is pointing downwards.

16

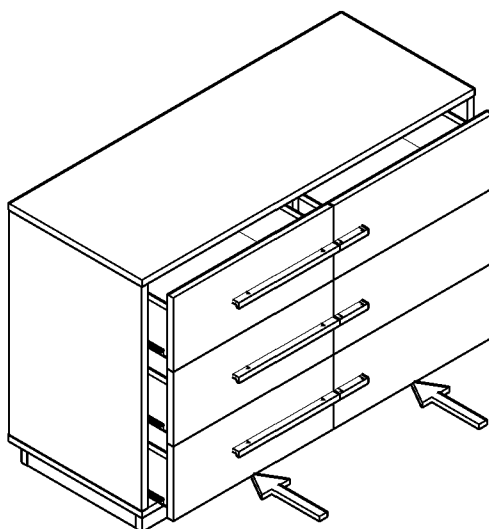


## Assembly Step (Continue)

17



18 Final Step



## Safety

Please read the below warnings before use.

Failure to follow these warnings could result in serious injury.



### CAUTION !!!

#### Purpose

- Do not use this unit except for original application
- This unit is for household use. Do not use it for wholesale.
- This unit is for indoor use. Do not use it outside.

#### Assembly

- Assembling with 2 or more people is recommended
- Please assemble at a spacious and flat place
- Please place blankets or cardboard so floor or walls will not be scratched
- Please ventilate the area if there is strong glue odor after opening the product
- Please follow assembly instructions

#### Placing The Unit

- Store the unit on a flat surface.
- Place a mat under the unit if you place it on wood floors for floor protection
- Do not place the unit in areas where conditions are extreme, such as direct sun or a humid place
- Do not place the unit in a hot or humid area, such as near the heater or fireplace

#### Usage

- Please check your surroundings when you use this unit
- Do not place any hot or wet objects on the unit
- Remove all objects on the unit when you move it
- Do not leave water or wet objects on the surface.
- Do not use it for toys
- Do not stand on it or use it for a step stool.
- Do not overload only the top drawers. Load the same amount to help prevent tipping of the unit.
- Do not leave drawers open or put pressure on opened drawers to help prevent falling or wrecking.
- Do not stand or put pressure on opened drawers.
- Colors could fade
- Please open drawers slowly
- Make sure you do not catch your finger when you use the drawer.
- Weight Capacity Top insert: About **30KG** , Shelf insert: About **10KG**,  
※ These are measured figures, not guaranteed figures

## Cleaning

- Please check all assembled parts are tight regularly. (About once a month)
- Use dry soft cloths for dust and spots
- For heavy spots, use clothes with neutral detergent then dry in a well ventilated area.
- Do not use if any parts are broken.
- Please recycle the unit or its package depending on your city rules.