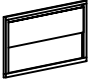
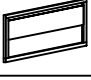
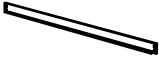


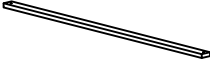





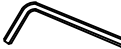



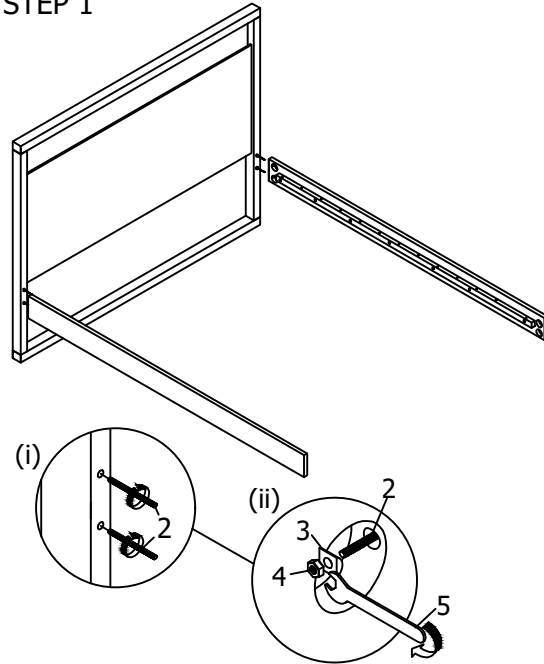


ASSEMBLY INSTRUCTION

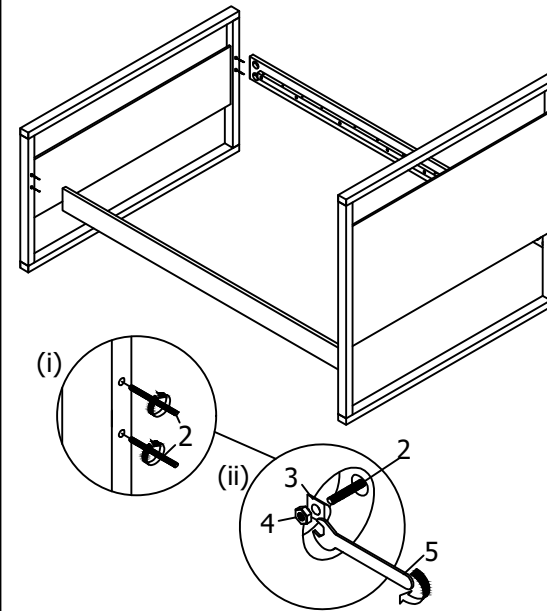
NO	PART LIST	QTY
A	HEADBOARD 	1
B	FOOTBOARD 	1
C	SIDE RAIL 	2
D	CENTER RAIL 	1
E	CENTER LEG 	3
F	SLAT 	12

NO	HARDWARE LIST	QTY
1	JCBC M6 x 70mm 	3
2	FULL THREAD STUD 	8
3	PLASTIC WASHER 	8
4	HEX NUT M6 	8
5	SPANNER 	1
6	ALLEN KEY M4 	1
7	CSK M4 x 25mm 	28
8	BASE GLIDE 	3
9	BARREL NUT 	3

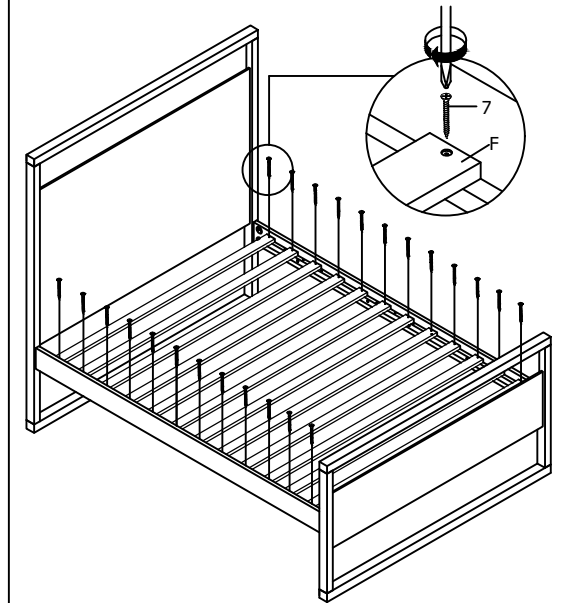
STEP 1



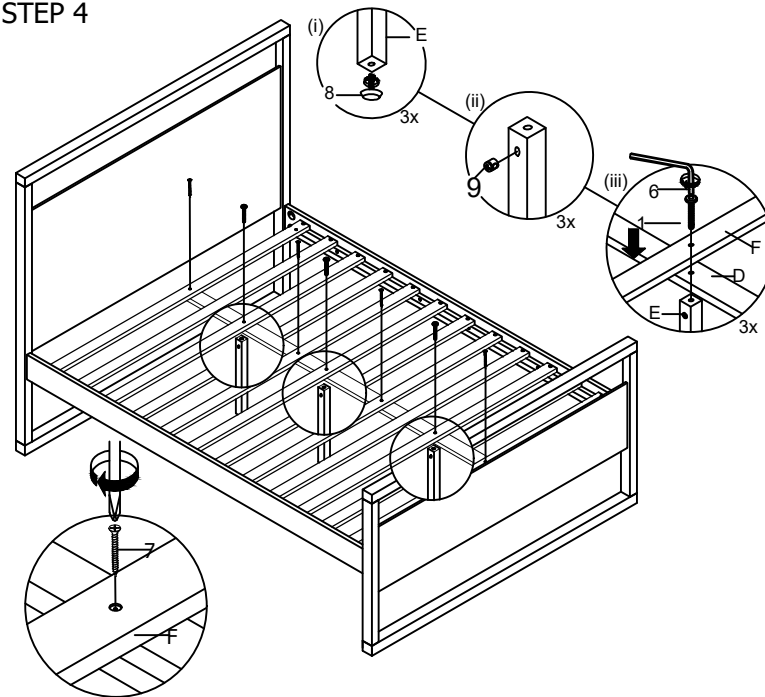
STEP 2



STEP 3



STEP 4



STEP 5

