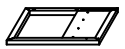

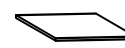
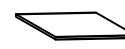

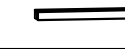

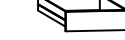
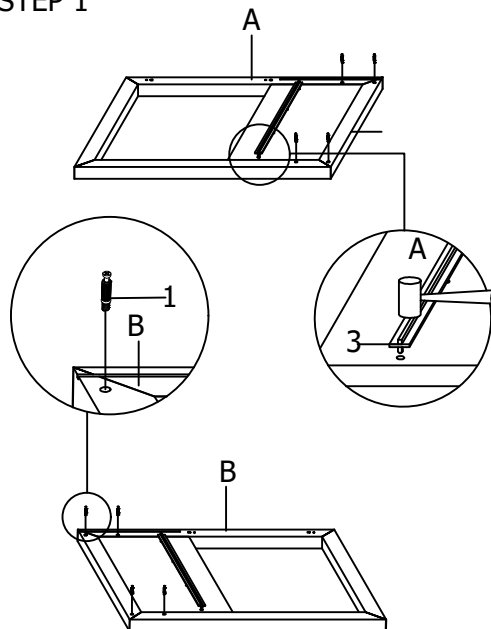


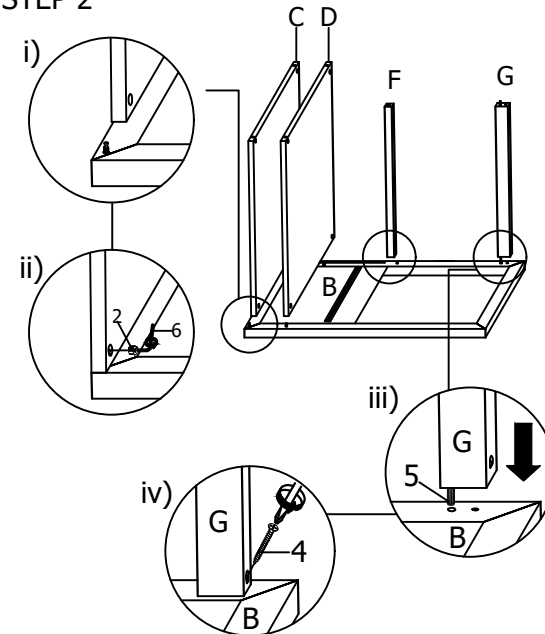
ASSEMBLY INSTRUCTION

NO	PART LIST	QTY
A	FRAME LEG (Right) 	1
B	FRAME LEG (Left) 	1
C	TOP PANEL 	1
D	SHELF 	1
E	BACK PANEL 	1
F	BACK PANEL BOTTOM RAIL 	1
G	BACK BOTTOM RAIL 	1
H	DRAWER 	1

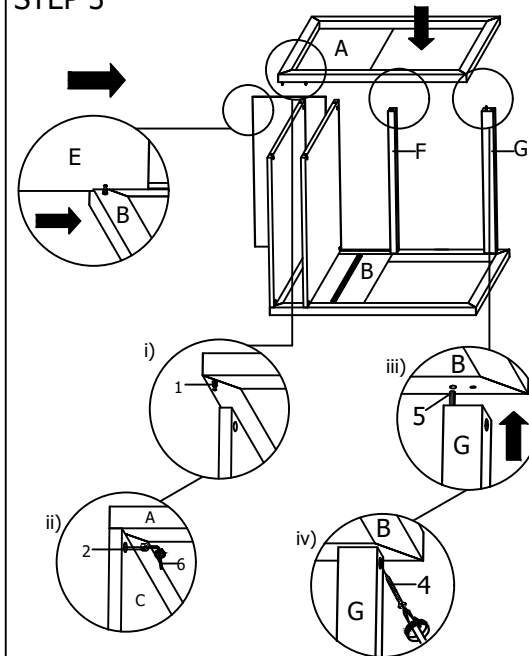
STEP 1





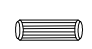





STEP 2

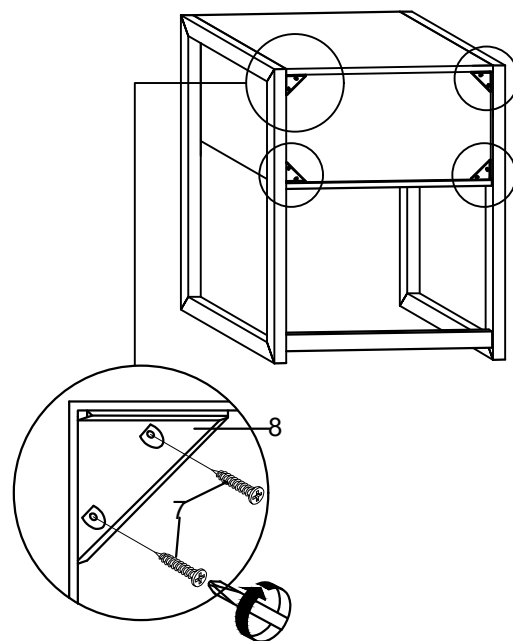


STEP 3

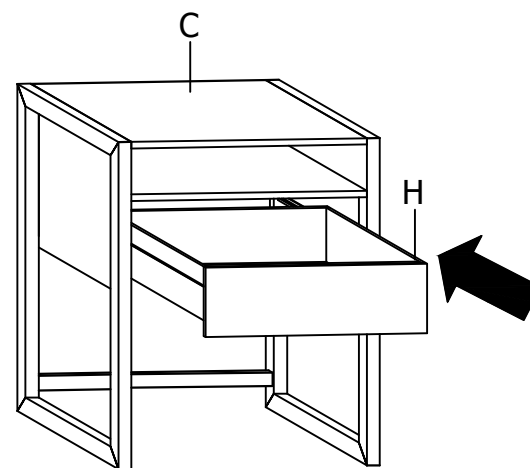


NO	HARDWARE LIST	QTY
1	EURO BOLT 	8
2	HOUSING 	8
3	DRAWER SLIDE 	2
4	CSK M4 x 32mm 	4
5	WOODEN DOWEL 	4
6	ALLEN KEY 	1
7	CSK M4 x 12mm 	8
8	PVC TRIANGLE 	4

STEP 4



STEP 5



ASSEMBLY COMPLETE

