

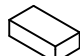


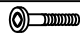
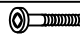


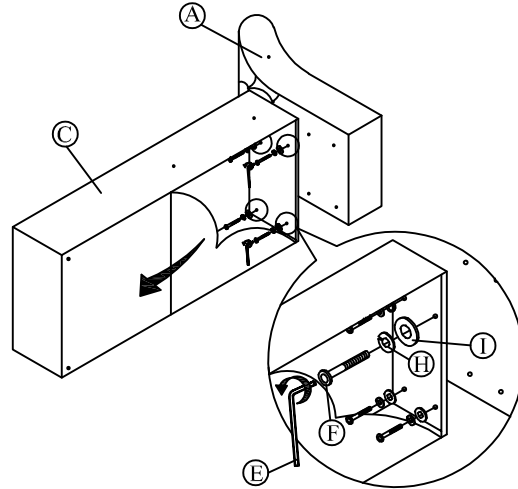


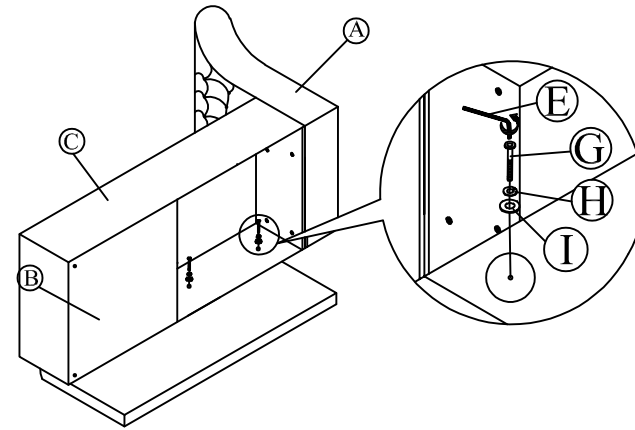
ASSEMBLY INSTRUCTION

A	 Back Panel	1 pc
B	 Arm	1 pc
C	 Sitter	1 pc
D	 Legs	4 pcs
E	 M4 x 65 mm	1 pc
F	 JCBC M6 X 45	5 pcs
G	 JCBC M6 X 60	2 pcs
H	 Spring Washers	7 pcs
I	 Flat Washers	7 pcs

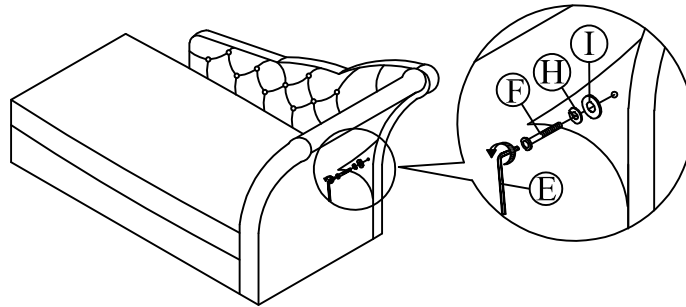
Step 1 : Attach the sitter (C) to the back panel (A) .



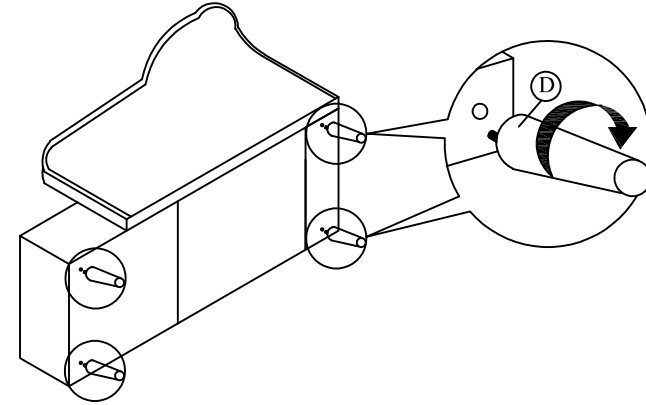
Step 2 : Attach the arm (B) to the sitter (C) .



Step 2 : Attach the arm (B) to the back panel (A) .



Step 4 : Install the legs (D) to sitter (C) and side wing (B).



Step 5 : Assembly complete.

