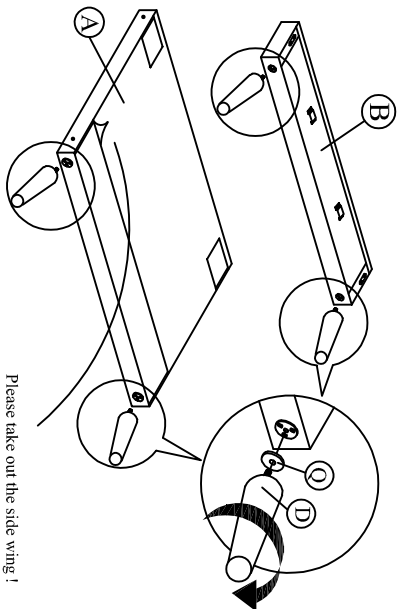


ASSEMBLY INSTRUCTION

MODEL: CF 9061 (6)

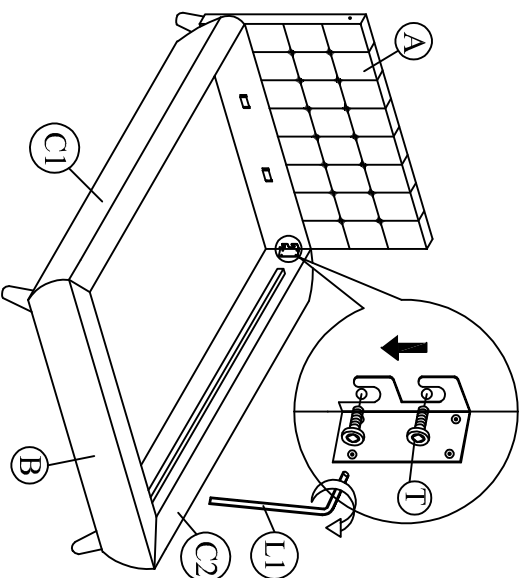
A	Headboard	1 pc
B	Footboard	1 pc
C	Side Rail	2 pcs
D	Leg	4 pcs
E	Center Rail	2 pcs
F	Support Leg	4 pcs
G	Slat	42 pcs
H	Middle Holder	28 pcs
I	End Holder	28 pcs
J	JCBB M6 X 40	4 pcs
K	JCBB M6 X 50	4 pcs
L	L1 L2 MS X 70mm M4 x 65mm	1 pc
M	CSK M4 x 25mm	4 pcs
N	CSK M4 x 16mm	8 pcs
O	Spring Washer	4 pcs
P	Flat Washer	4 pcs
Q	NO 35 Washers	4 pcs
R	Side Wing Adjuster	2 pcs
S	Adjuster	4 pcs
T	JCBB M8 X 20	8 pcs

Step 1: Tighten the legs (D) to both headboard (A) and footboard (B) as shown.

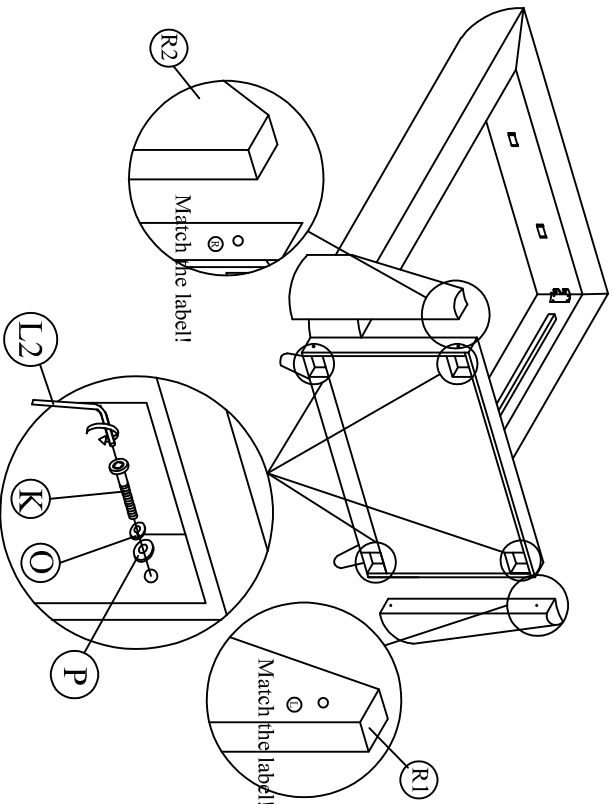


BACK VIEW

Step 2: Attach side rail (C) to headboard (A) and footboard (B) by pushing the bracket down to fit it.

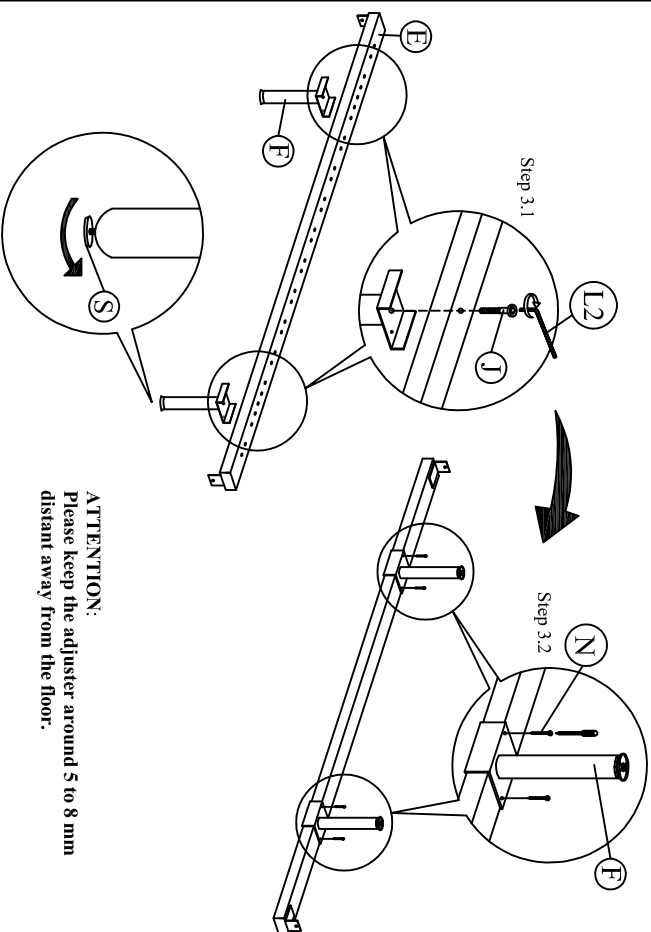


Step 3: Tighten the side wing (Q) to headboard (A) as shown.



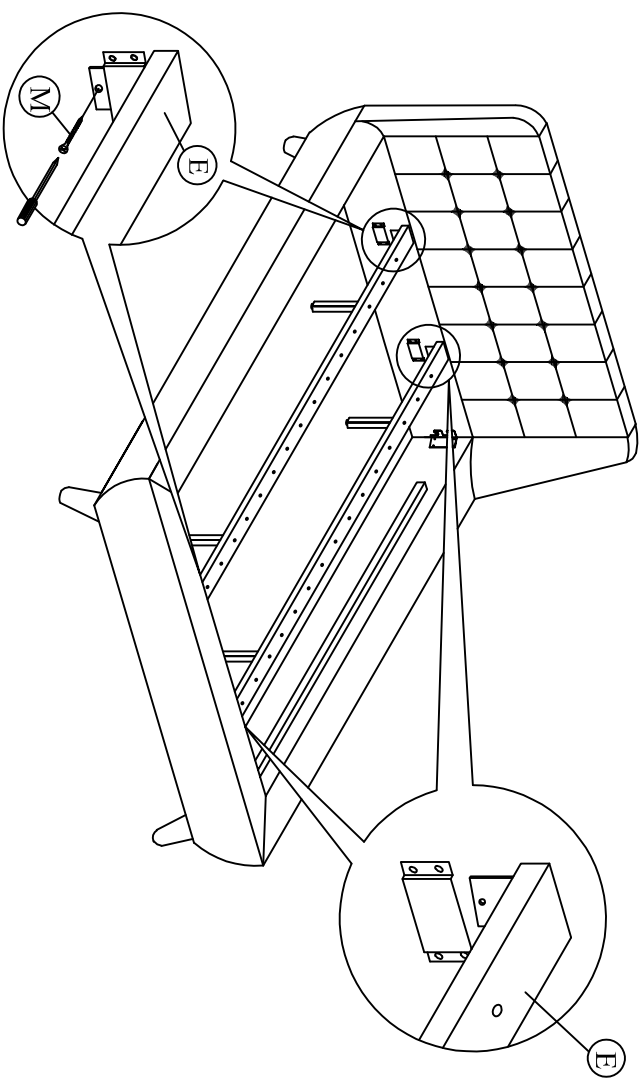
BACK VIEW

Step 4: Attach the support legs (F) to the center rail (E) of the bed as shown.



ATTENTION:
Please keep the adjuster around 5 to 8 mm distant away from the floor.

Step 5: Slide the center rail (E) to the headboard (A) and footboard (B). Tighten screws (M) using screw driver (not included) to the headboard (A) and footboard (B).



Step 6: Tighten all the 4 corner .follow by assembly of the slat holders with LVL slats as shown.

