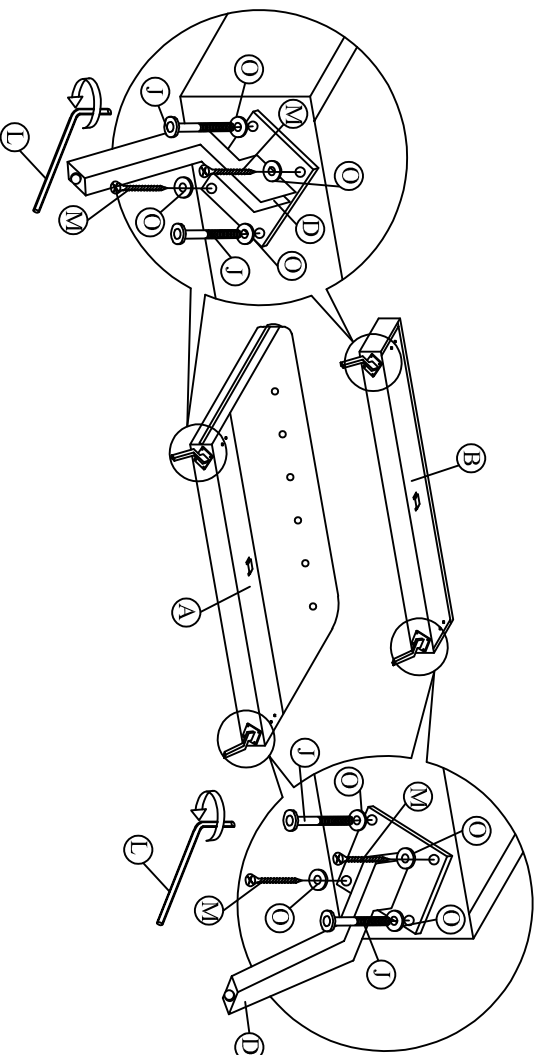


ASSEMBLY INSTRUCTION

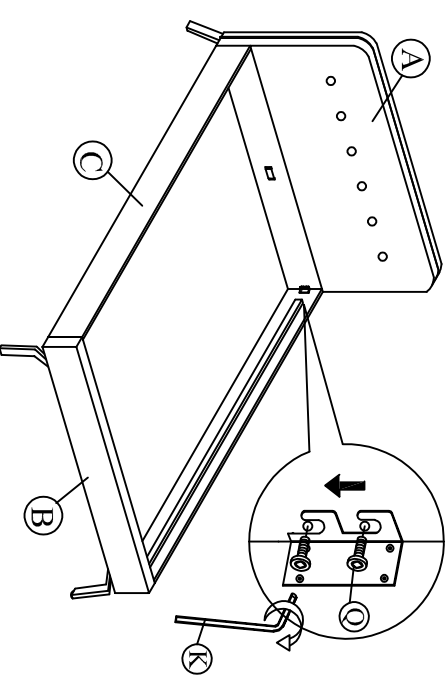
MODEL : CF 9013 (S)

| | | |
|---|---------------|--------|
| A | Headboard | 1 pc |
| B | Footboard | 1 pc |
| C | Side Rail | 2 pcs |
| D | Legs | 4 pcs |
| E | Center Rail | 1 pc |
| F | Support Leg | 2 pcs |
| G | Slat | 28 pcs |
| H | Middle Holder | 14 pcs |
| I | End Holder | 28 pcs |
| J | JCBC M6 X 40 | 10 pcs |
| K | M5 X 70mm | 1 pc |
| L | M4 x 65mm | 1 pc |
| M | CSK M4 x 25mm | 10 pcs |
| N | CSK M4 x 16mm | 4 pcs |
| O | Flat Washers | 16 pcs |
| P | Adjuster | 2 pcs |
| Q | JCBH M8 X 20 | 8 pcs |

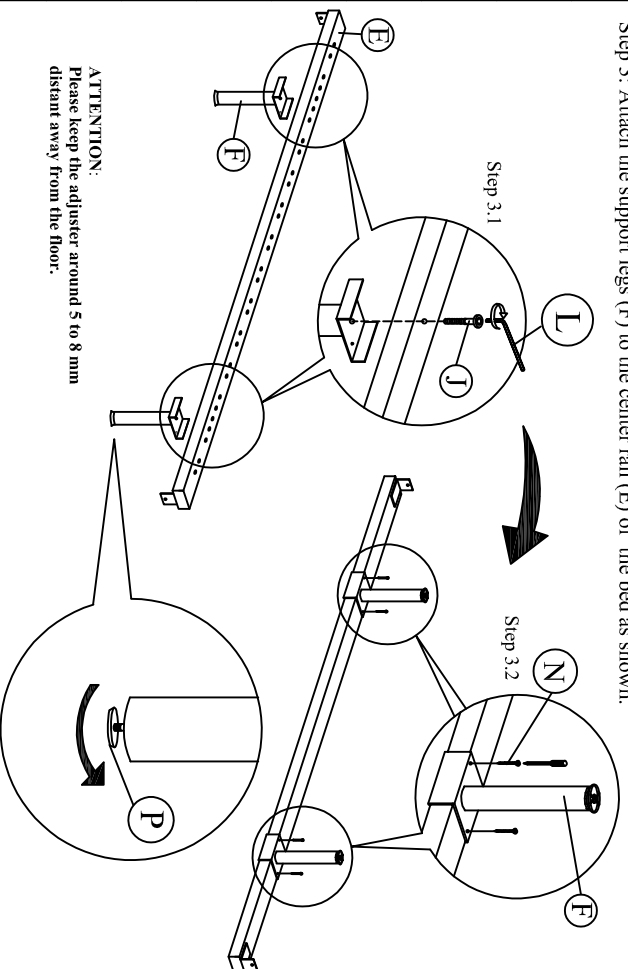
Step 1: Install the legs (D) to footboard (B) and headboard (A). Tighten the legs.



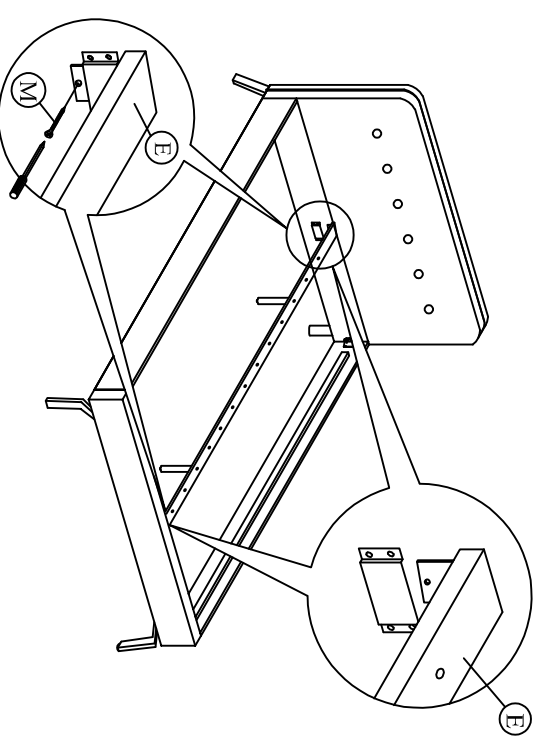
Step 2: Attach side rail (C) to footboard (B) and headboard (A) by pushing the bracket down to fit it.



Step 3: Attach the support legs (F) to the center rail (E) of the bed as shown.



Step 4: Slide the center rail (E) to the headboard (A) and footboard (B). Tighten screws (M) using screw driver (not included) to the headboard (A) and footboard (B).



ATTENTION:
Please keep the adjuster around 5 to 8 mm distant away from the floor.

Step 5: Tighten all the 4 corner, follow by assembly of the slat holders with LVL slats as shown.

