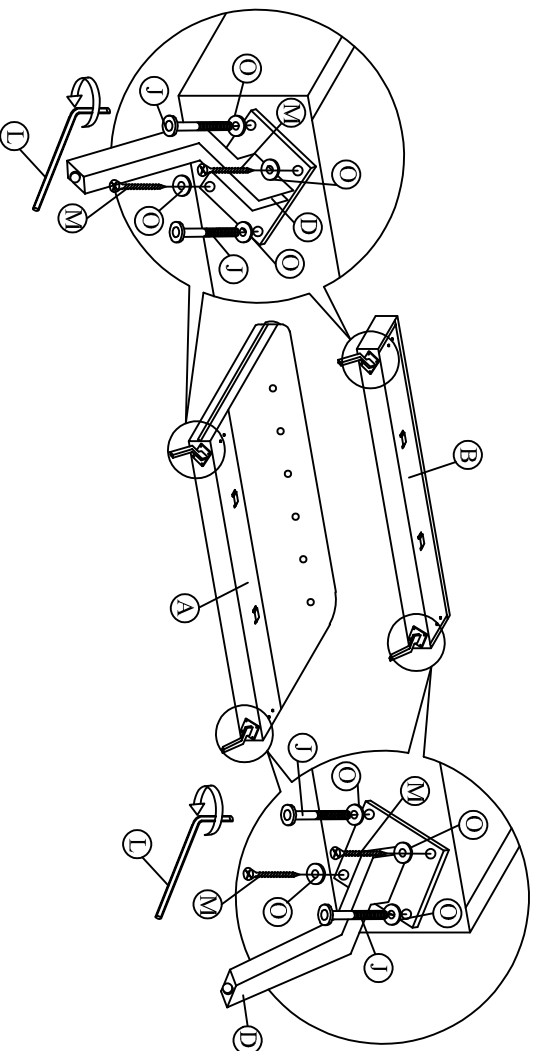


ASSEMBLY INSTRUCTION

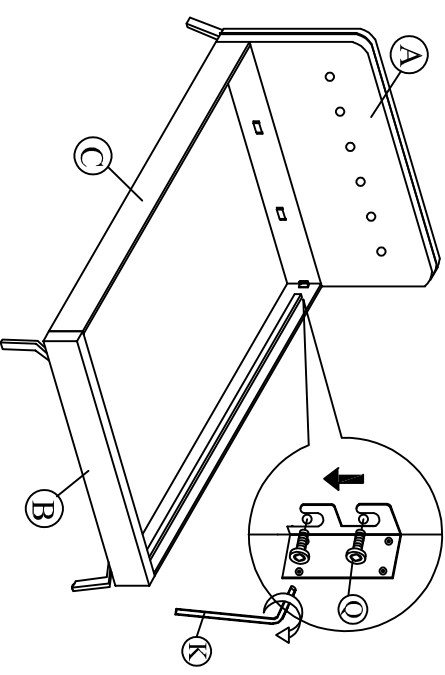
MODEL : CF 9013 (6)

A	Headboard	1 pc
B	Footboard	1 pc
C	Side Rail	2 pcs
D	Legs	4 pcs
E	Center Rail	2 pcs
F	Support Leg	4 pcs
G	Slat	42 pcs
H	Middle Holder	28 pcs
I	End Holder	28 pcs
J	JCRB M6 X 40	12 pcs
K	M5 x 7mm	1 pc
L	M4 x 65mm	1 pc
M	CSK M4 x 25mm	12 pcs
N	CSK M4 x 16mm	8 pcs
O	Fiber Washers	16 pcs
P	Adjuster	4 pcs
Q	JCRB M8 X 20	8 pcs

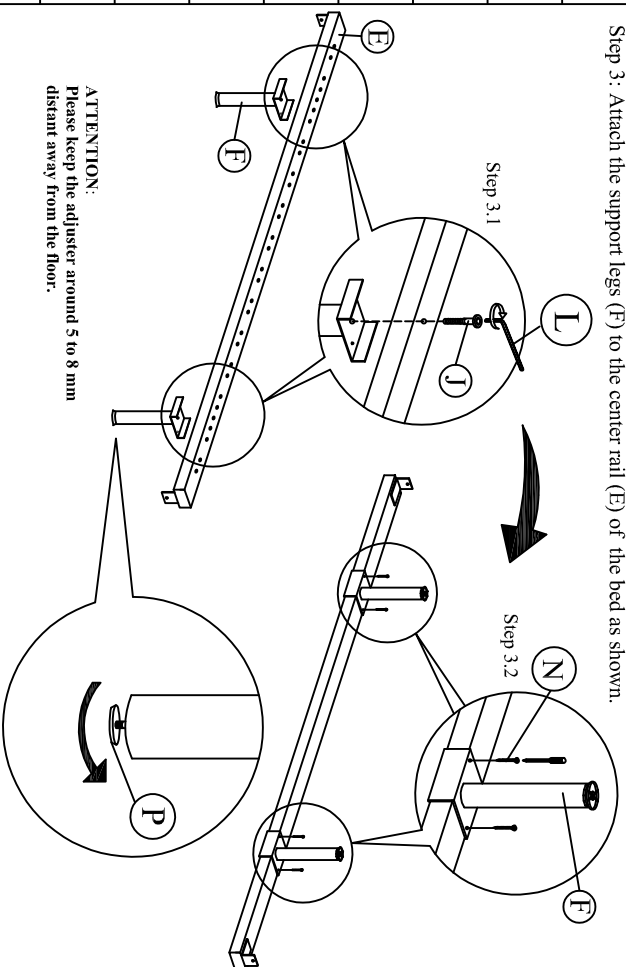
Step 1: Install the legs (D) to footboard (B) and headboard (A). Tighten the legs.



Step 2: Attach side rail (C) to footboard (B) and headboard (A) by pushing the bracket down to fit it.

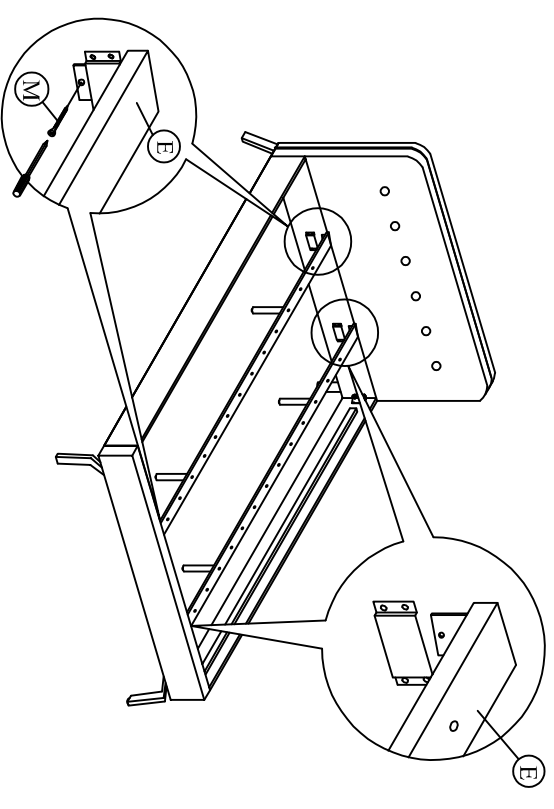


Step 3: Attach the support legs (F) to the center rail (E) of the bed as shown.



ATTENTION:
Please keep the adjuster around 5 to 8 mm distant away from the floor.

Step 4: Slide the center rail (E) to the headboard (A) and footboard (B). Tighten screws (M) using screw driver (not included) to the headboard (A) and footboard (B).



Step 5: Tighten all the 4 corner, follow by assembly of the slat holders with LVL slats as shown.

