

Read this instruction carefully. See hardware and furniture part list for guidance. Be sure all parts are complete, before you assemble. Place all wooden furniture parts on a clean and flat soft surface to prevent from being scratched. Follow the figure to start assembling.

**CAUTIONS :** 1. Do not FULLY - TIGHTEN the nut or nut bolt until all nut or bolt is ready assembled.  
 2. Do not OVER - TIGHTEN the nut or bolt to avoid causing damages to the thread.  
 3. Keep all hardware parts out of reach of children.

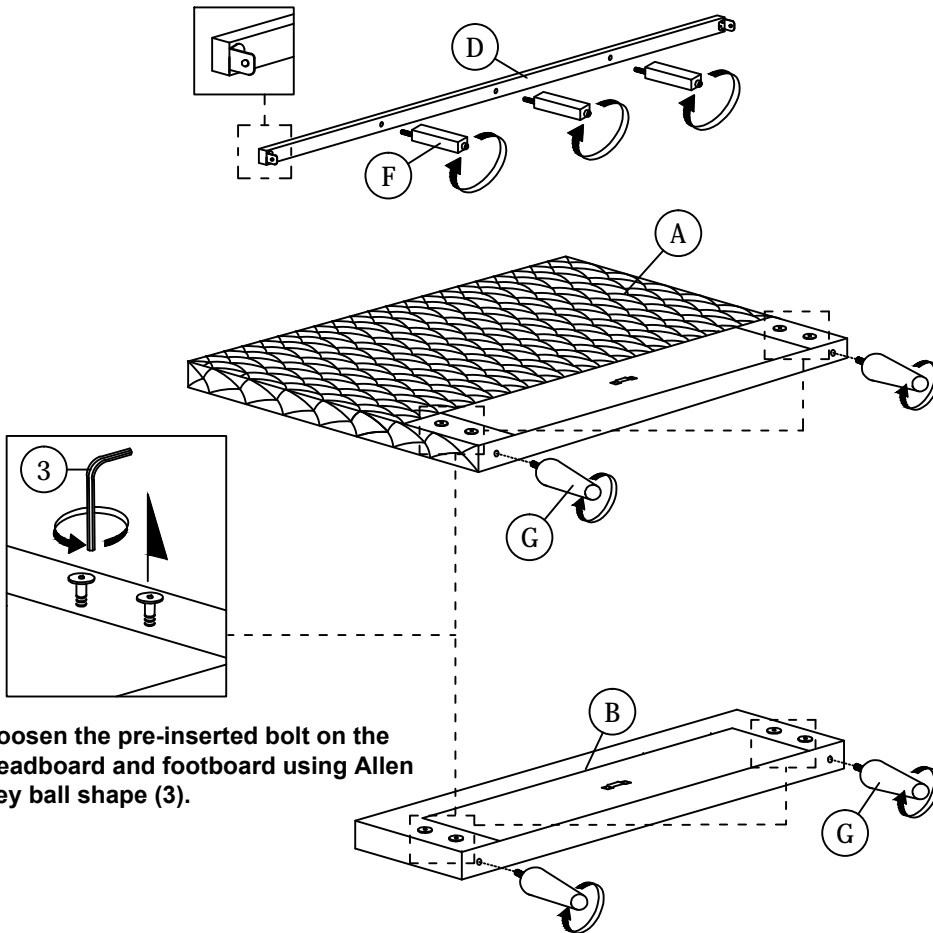
**NOTE :** THE LIST AND QUANTITY SHOWN ARE FOR 1 UNIT ASSEMBLY.

Tool needed : Screwdriver (not provider).

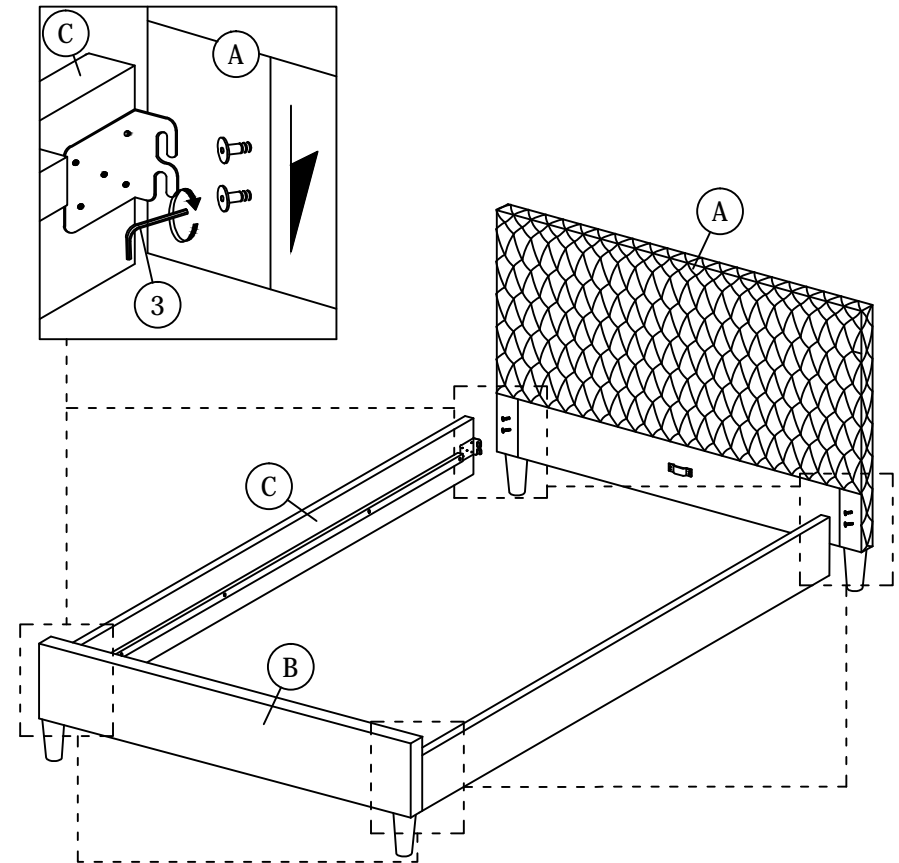
PART LIST		
ITEM	DESCRIPTION	QTY
A	HEADBOARD	1 PC
B	FOOTBOARD	1 PC
C	SIDE RAIL	2 PCS
D	CENTER RAIL	1 PC
E	CENTER RAIL SUPPORT	2 PCS
F	CENTER RAIL LEG	3 PCS
G	LEG	4 PCS
H	BED SLAT	26 PCS

HARDWARE LIST			
ITEM	DESCRIPTION		QTY
1	WOOD SCREW M4 x 20mm		2 PCS
2	WOOD SCREW M3.5 x 16mm		8 PCS
3	M5 ALLEN KEY (BALL SHAPE)		1 PCS
4	BED SLAT SIDE FITTER		26 PCS
5	BED SLAT CENTER FITTER		13 PCS

## STEP 1



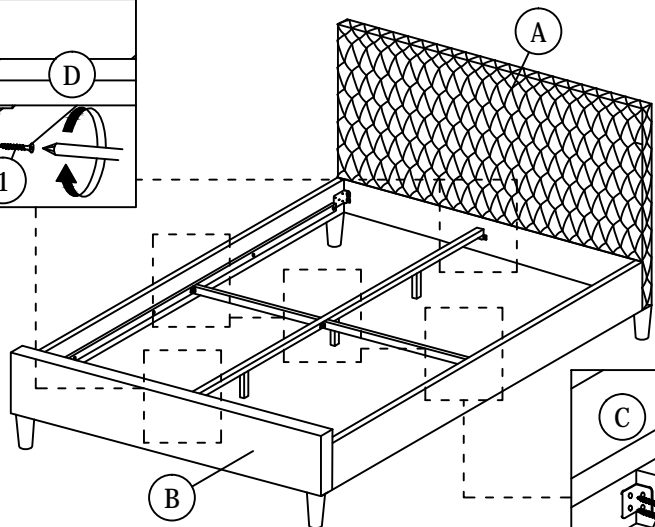
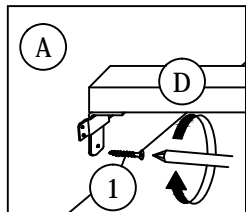
## STEP 2



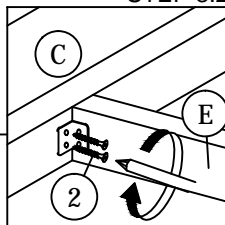
# ASSEMBLY INSTRUCTIONS

## STEP 3

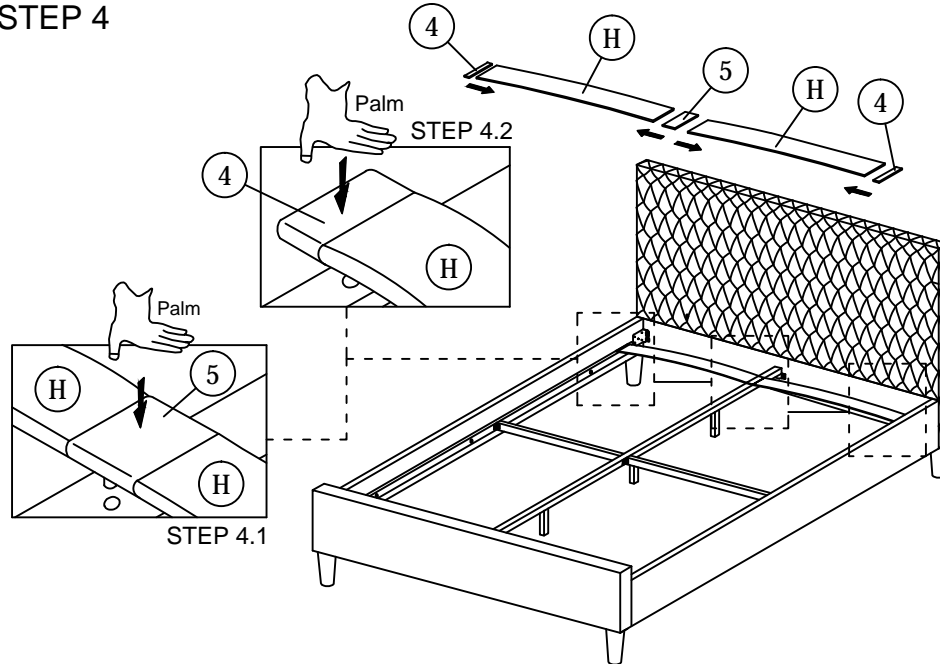
### STEP 3.1



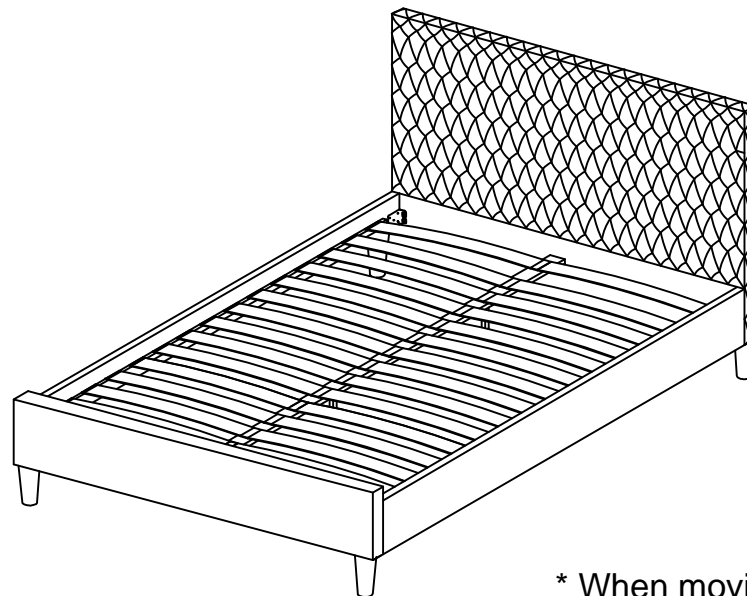
### STEP 3.2



## STEP 4



## STEP 5



\* When moving the bed position, the center support legs must be adjust to be straight to avoid any broken problem.