

ASSEMBLY INSTRUCTIONS

Read this instruction carefully. See hardware and furniture part list for guidance. Be sure all parts are complete, before you assemble. Place all wooden furniture parts on a clean and flat soft surface to prevent from being scratched. Follow the figure to start assembling.

CAUTIONS : 1. Do not FULLY - TIGHTEN the nut or nut bolt until all nut or bolt is ready assembled.
2. Do not OVER - TIGHTEN the nut or bolt to avoid causing damages to the thread.
3. Keep all hardware parts out of reach of children.

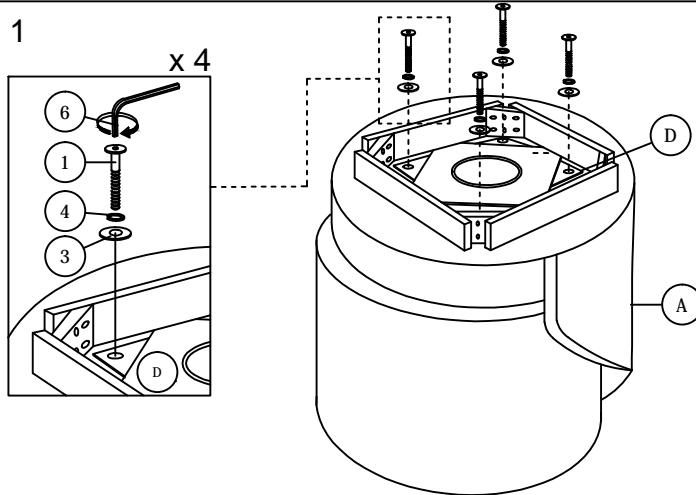
NOTE : THE LIST AND QUANTITY SHOWN ARE FOR 1 UNIT ASSEMBLY.

Tool needed : Screwdriver (not provided).

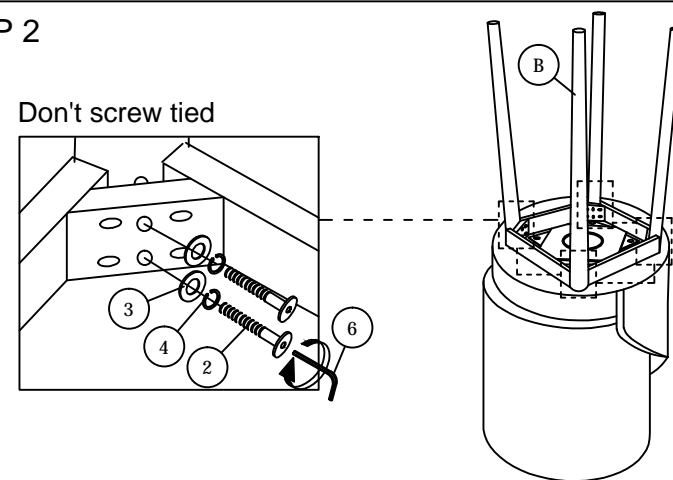
PART LIST		
ITEM	DESCRIPTION	QTY
A	CHAIR FRAME	1PC
B	LEG	4 PCS
C	SIDE RAIL	1 PC
D	BOX SEAT	1 PC

HARDWARE LIST		
ITEM	DESCRIPTION	QTY
1	JCBC BOLT M6 x 20mm 	4 PCS
2	JCBC BOLT M6 x 70mm 	8 PCS
3	M6 FLAT WASHER 	12 PCS
4	M6 SPRING WASHER 	12 PCS
5	WOOD SCREW M4 x 38mm(BLACK) 	4 PC
6	M4 ALLEN KEY (BALL SHAPE) 	1 PC

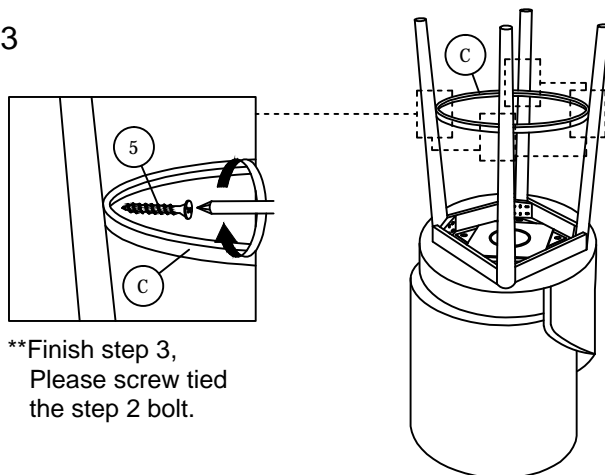
STEP 1



STEP 2



STEP 3



**Finish step 3,
Please screw tied
the step 2 bolt.

STEP4

