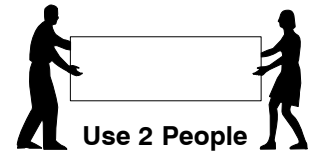
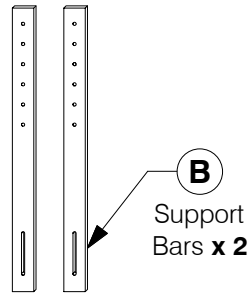
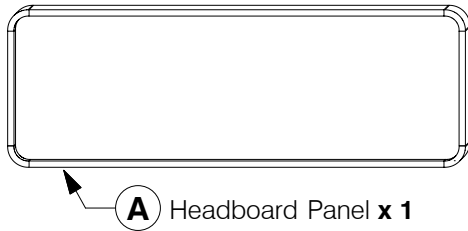


# Queen Headboard

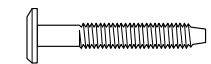
## Assembly Instructions

0818

### 1 Parts List



### 2 Hardware List



1 M6 x 35mm JCB  
x 4



2 Spring Washer  
x 4



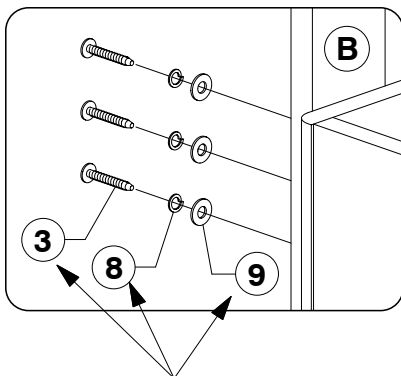
3 Flat Washer  
x 4



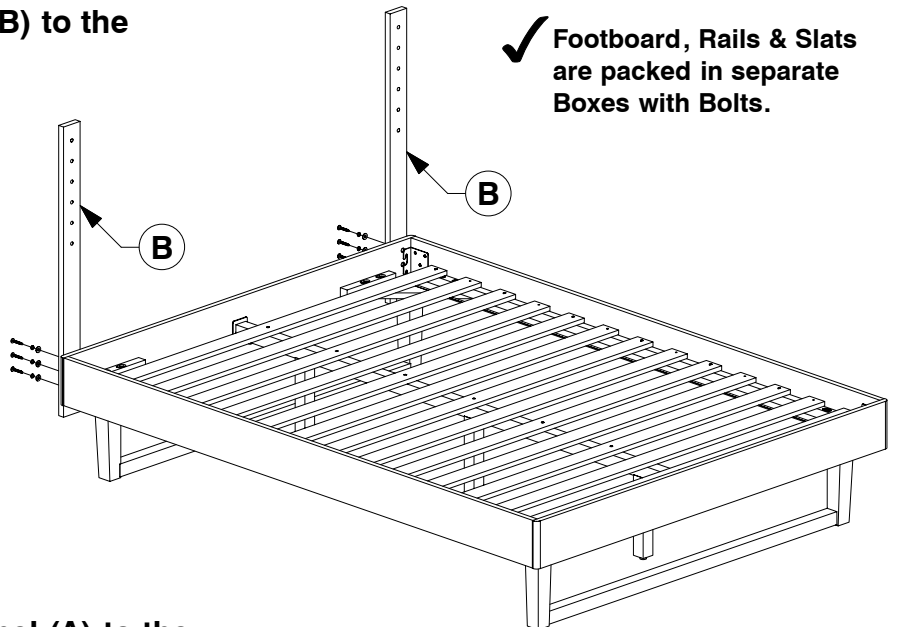
4 Allen Key  
x 1

**Note:** Do not assemble using power tools. This can cause the bolts to be overtightened

### 3 Assemble the Support Bars (B) to the Headboard Panel.



Note: Bolts & Washers from Footboard, Rails & Slats Box.



### 4 Assemble the Headboard Panel (A) to the Support Bars (B).

