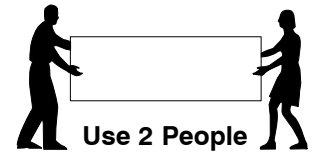
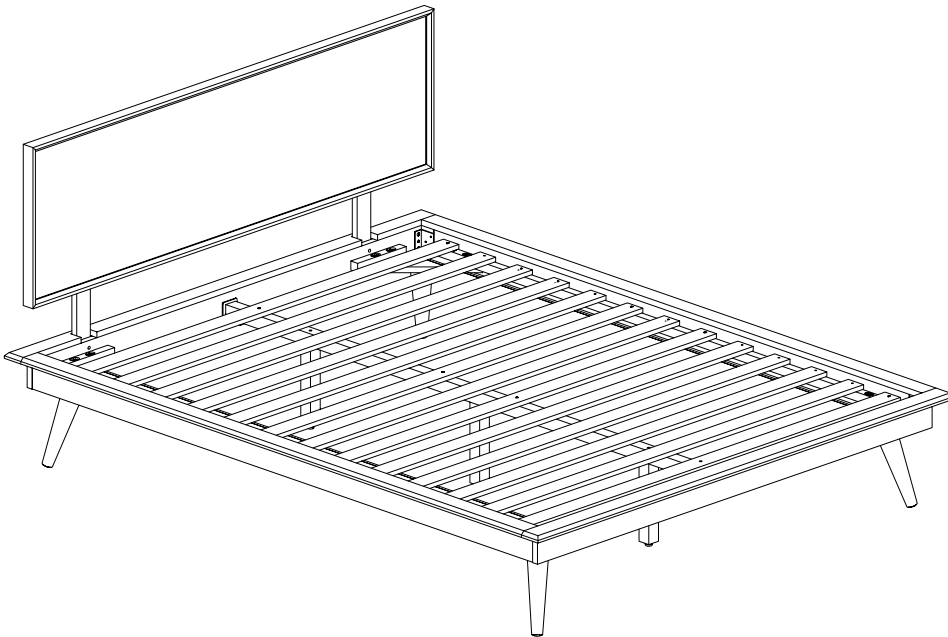


1 Assembled View



Note: Do not assemble using power tools. This can cause the bolts to be overtightened

2 Parts List

Parts in Box 1:

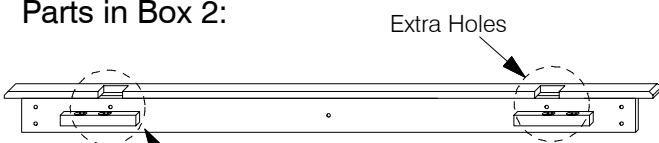


A Headboard Panel x 1

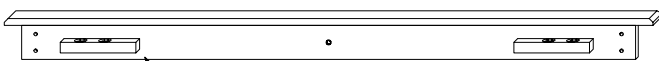


B Support Bar x 2

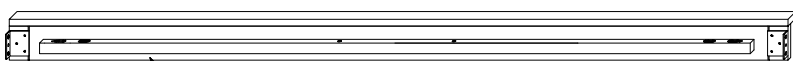
Parts in Box 2:



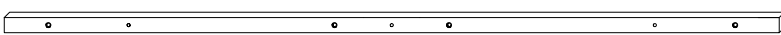
C Headboard Panel x 1



D Footboard Panel x 1



E Side Rail x 2



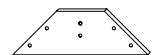
F Long Support x 1



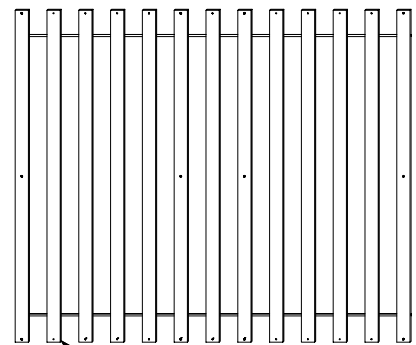
G Support Leg x 3



H Post x 4





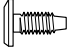




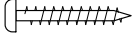


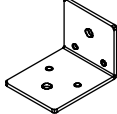
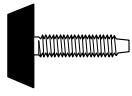


J Support Panel x 4

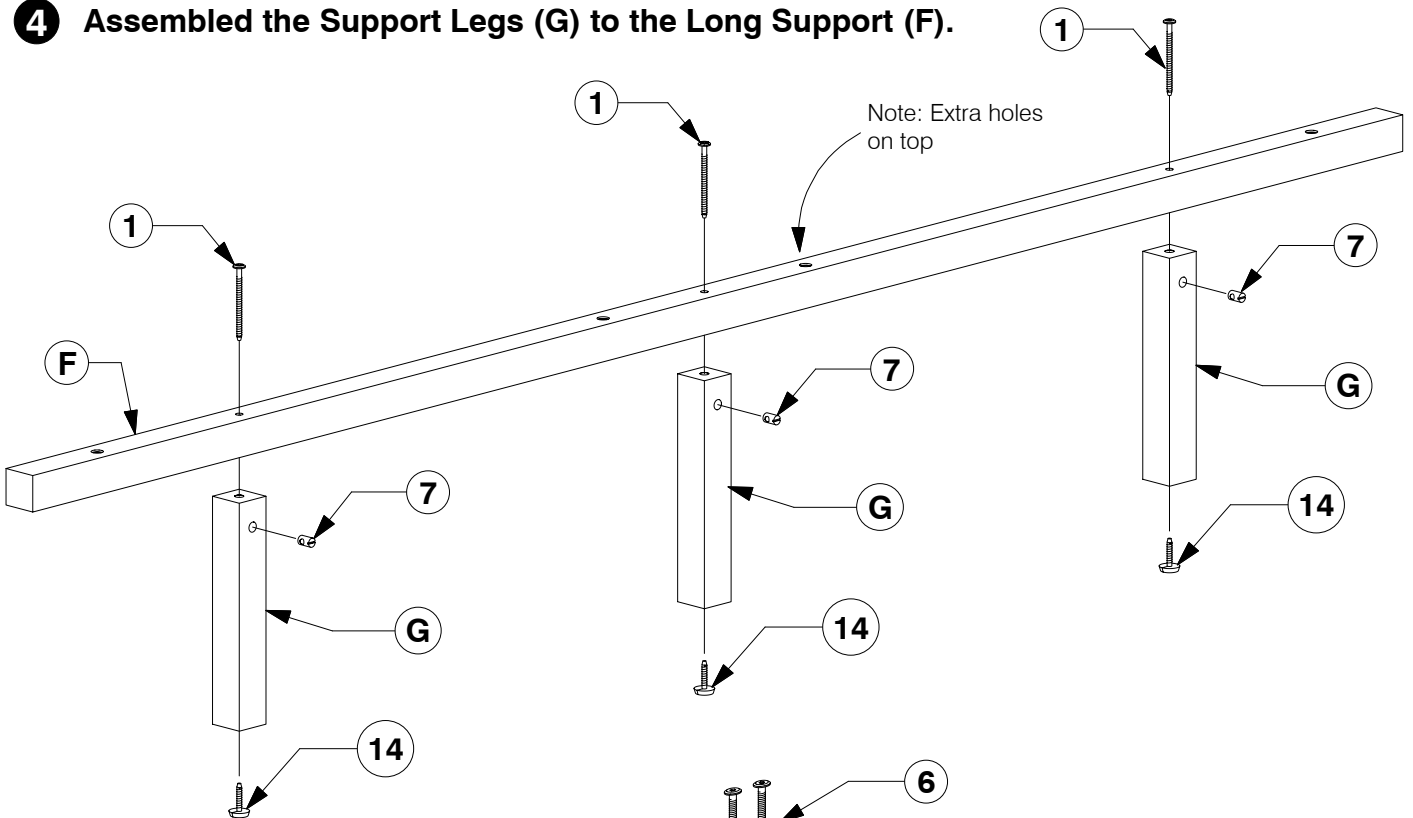


K Set of Bed Slats x 1

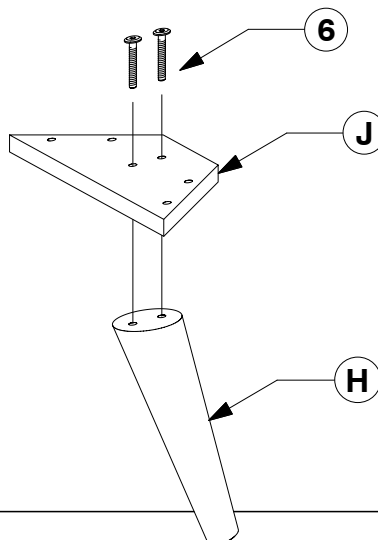
3 Hardware List

- | | | | |
|---|---|--|---|
| 
1 M6 x 90mm JCB
x 3 | 
2 M6 x 50mm JCB
x 16 | 
3 M6 x 40mm JCB
x 22 | 
4 M6 x 20mm JCB
x 8 |
| 
5 M6 x 15mm JCB
x 4 | 
6 M8 x 50mm JCB
x 8 | 
7 Barrel Nut
x 3 | 
8 Spring Washer
x 34 |
| 
9 Flat Washer
x 34 | 
10 Wood Screw
(M4 x 32mm) x 18 | 
11 M4 Allen Key
x 1 | 
12 M5 Allen Key
x 1 |
| 
13 Center Rail
Bracket x 2 | 
14 Adjustable
Foot x 3 | | |

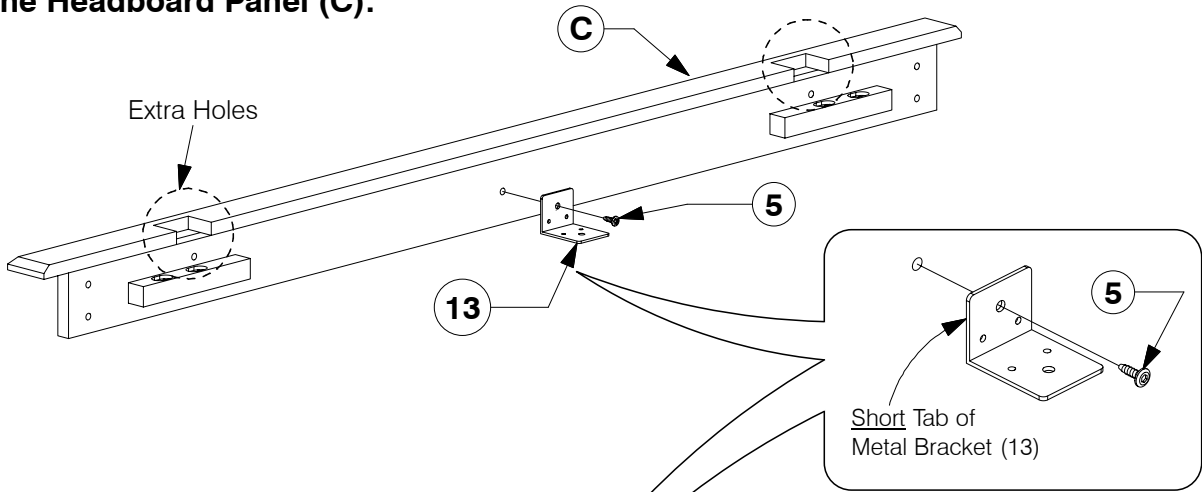
4 Assembled the Support Legs (G) to the Long Support (F).



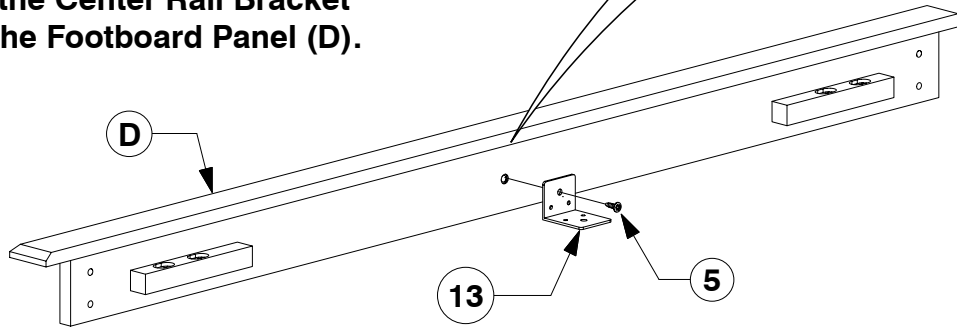
5 Fit the Post (H) to the Support Panel (J).



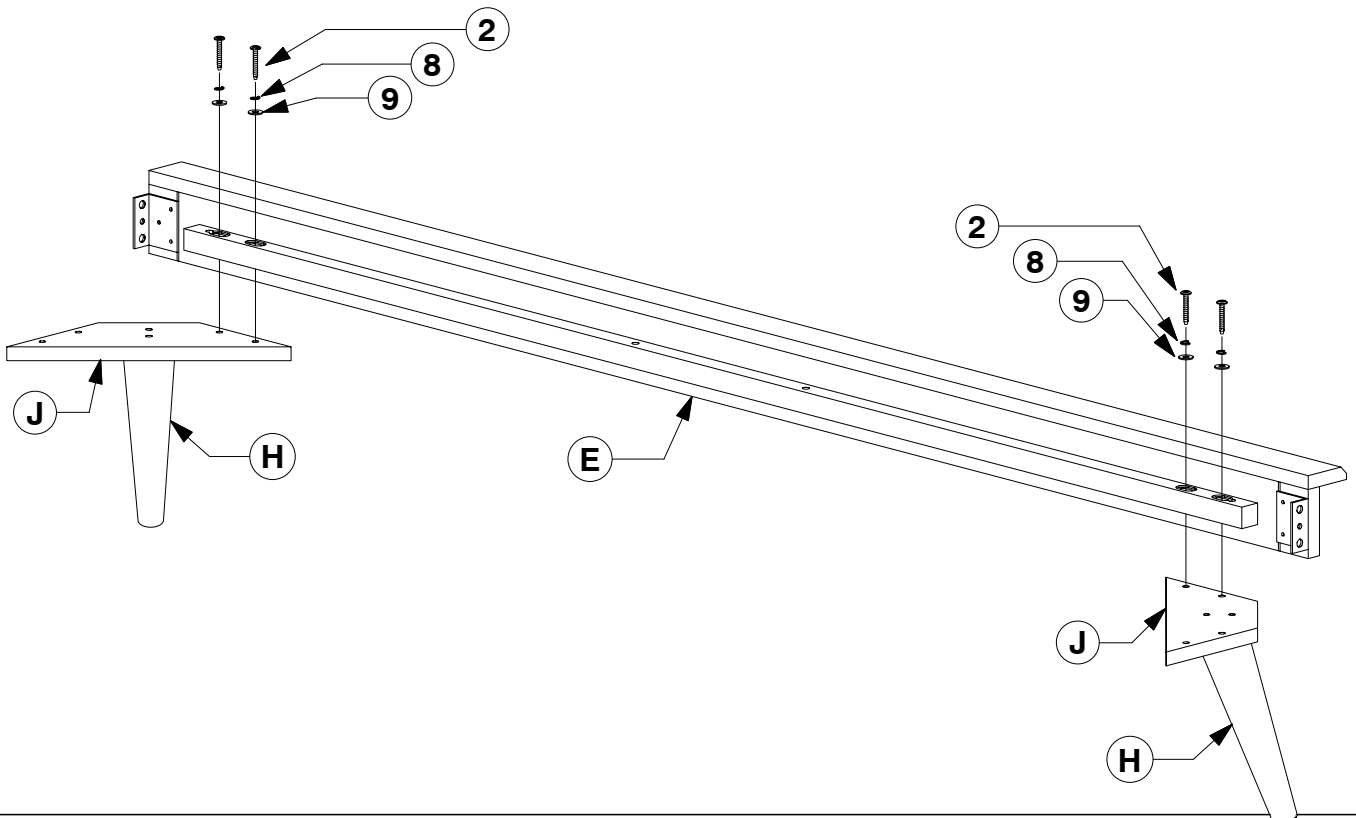
6 Fit the Center Rail Bracket to the Headboard Panel (C).



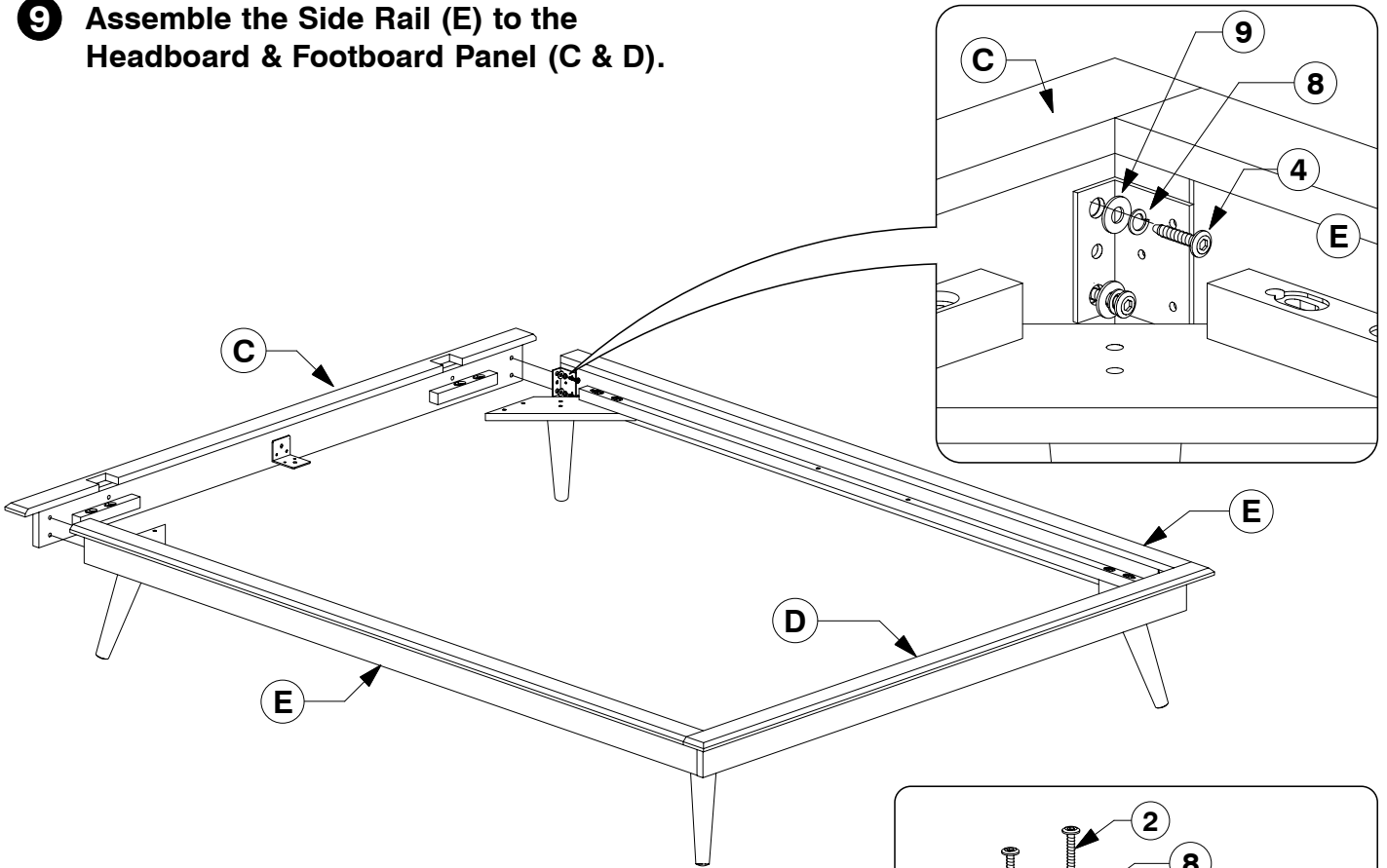
7 Fit the Center Rail Bracket to the Footboard Panel (D).



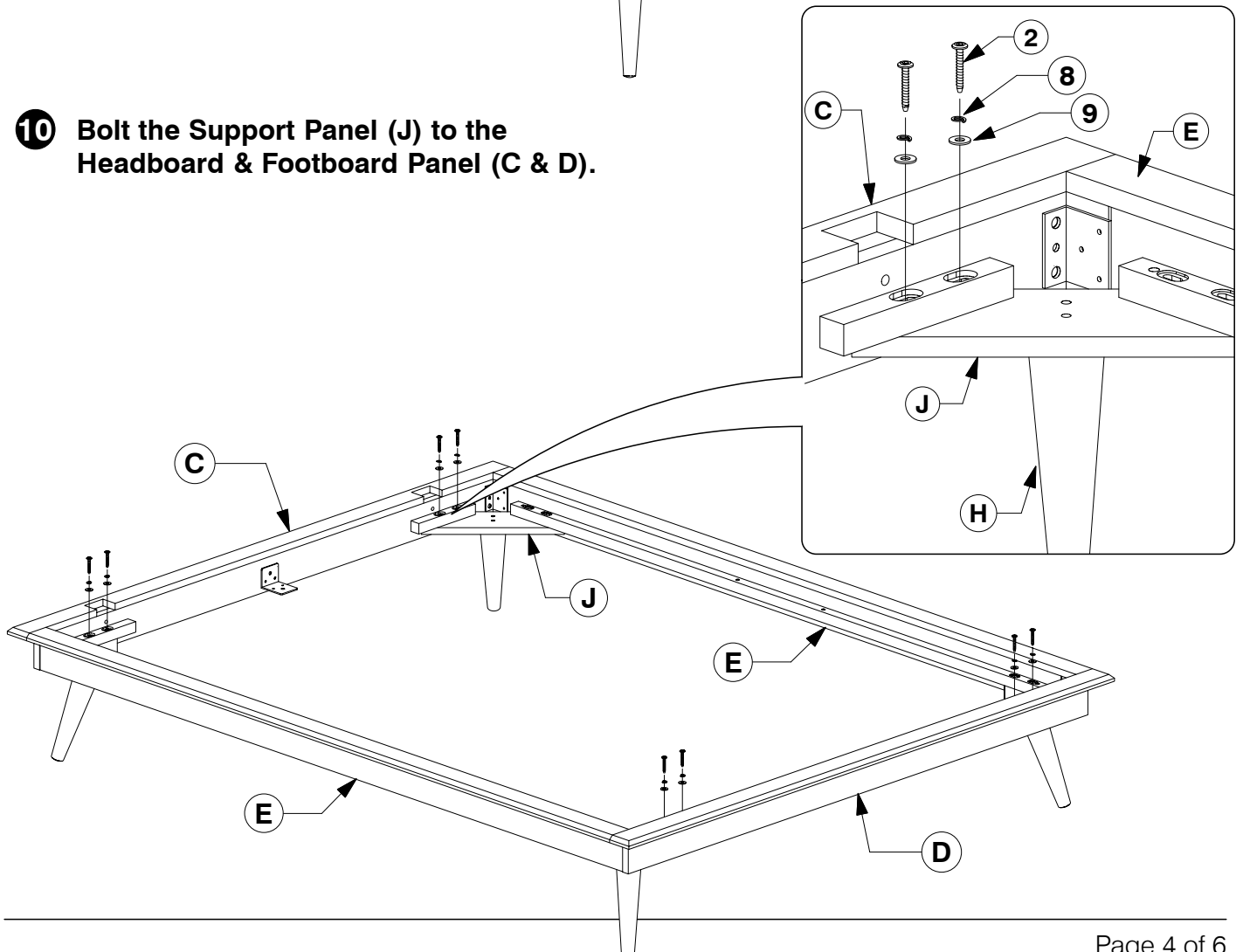
8 Bolt the Support Panel (H & J) to the Side Rail (E).



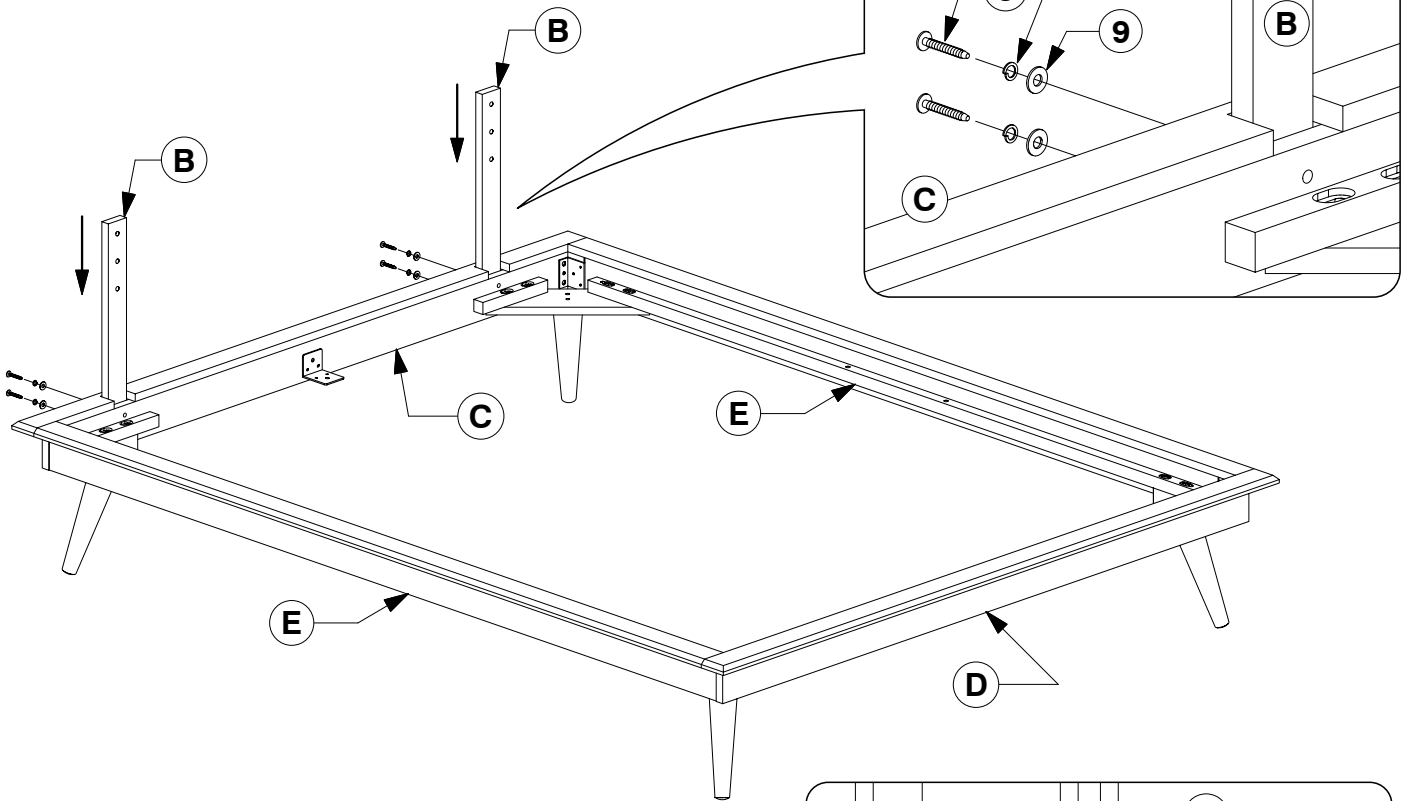
9 Assemble the Side Rail (E) to the Headboard & Footboard Panel (C & D).



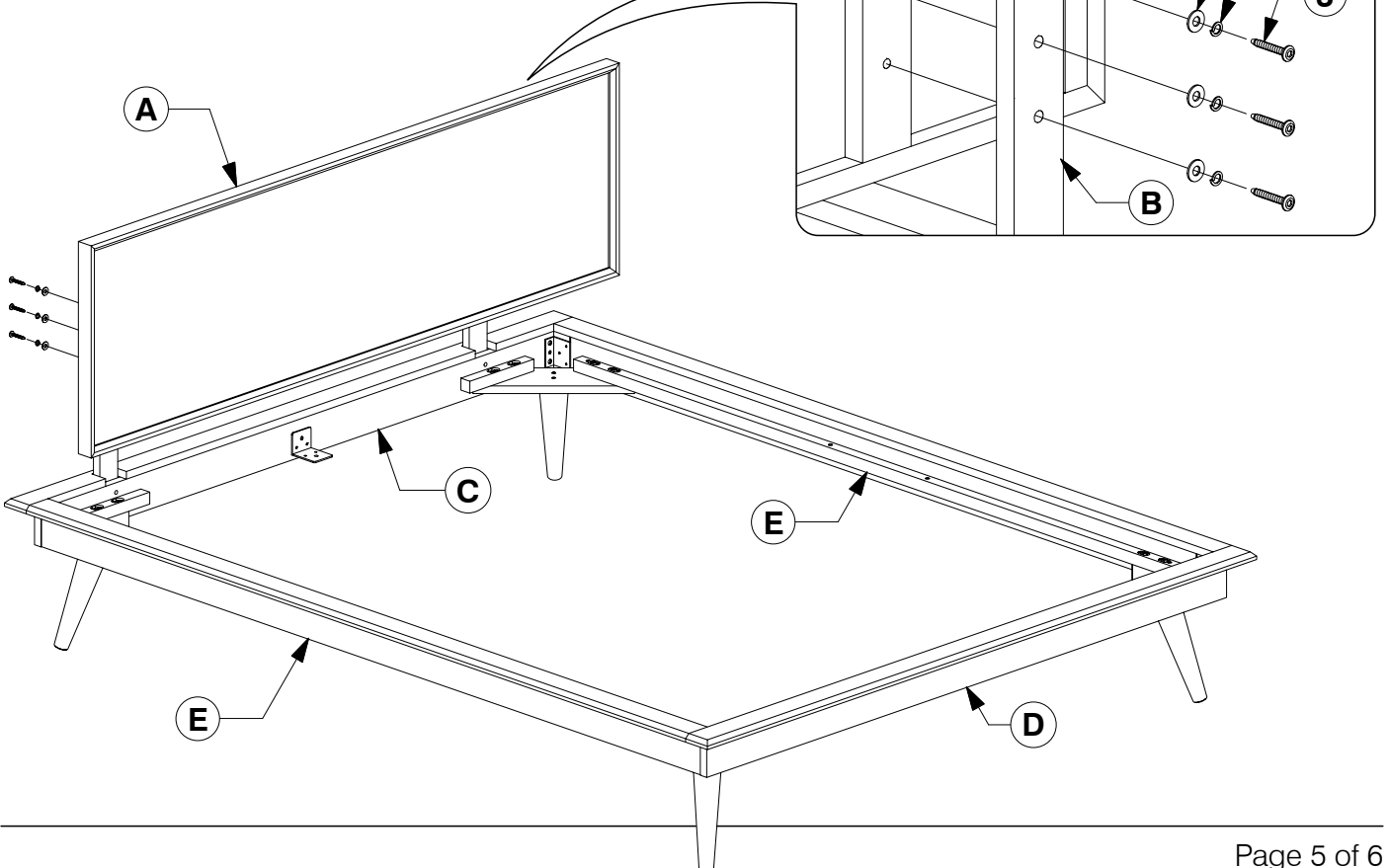
10 Bolt the Support Panel (J) to the Headboard & Footboard Panel (C & D).



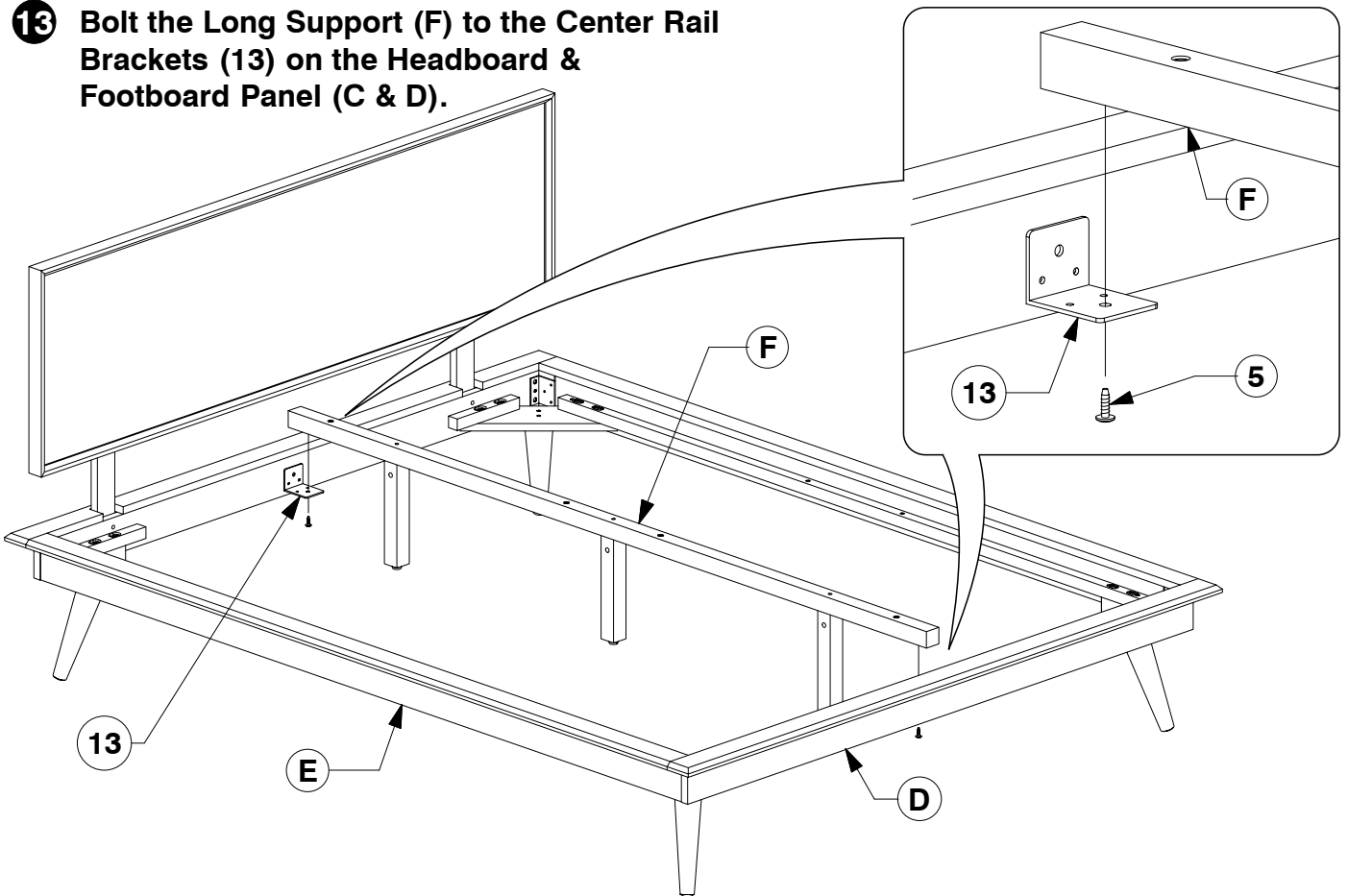
11 Assemble the Support Bar (B) to the Headboard Panel (C).



12 Assemble the Headboard Panels (A) to the Support Bar (B).



- 13** Bolt the Long Support (F) to the Center Rail Brackets (13) on the Headboard & Footboard Panel (C & D).



- 14** Bolt & screw the Bed Slats (K) to the Side Rail (E).

