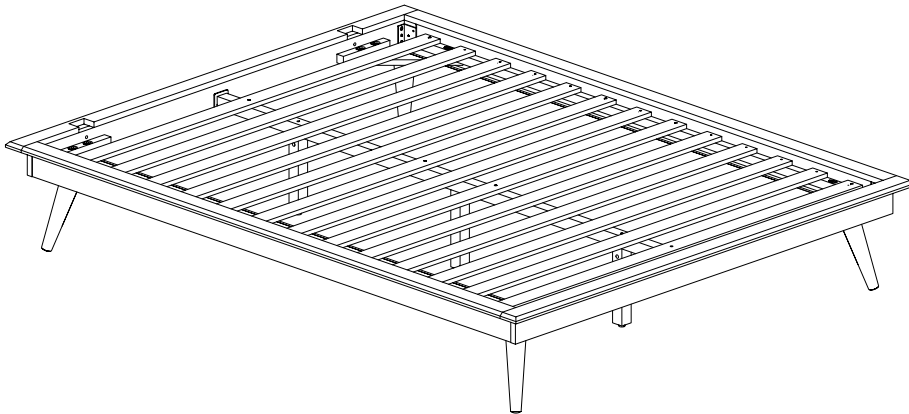


# 0004 Queen Bed

## Assembly Instructions

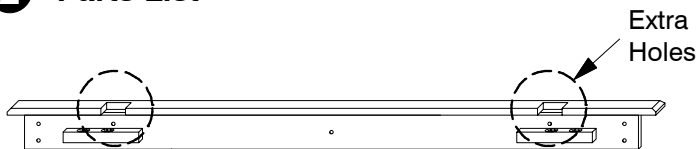
W11-0819

### 1 Assembled View

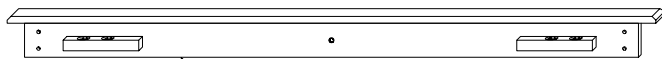


**Note:** Do not assemble using power tools. This can cause the bolts to be overtightened

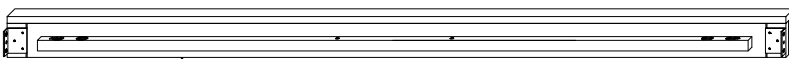
### 2 Parts List



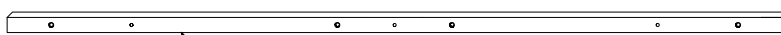
**A** Headboard Panel x 1



**B** Footboard Panel x 1



**C** Side Rail x 2



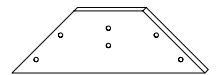
**D** Long Support x 1



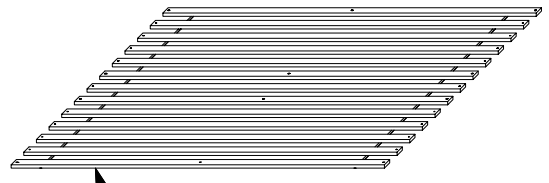
**E** Post x 4



**F** Support Leg x 3



**G** Support Panel x 4



**H** Set of Bed Slats x 1

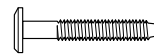
### 3 Hardware List



**1** M6 x 90mm JCB x 3



**2** M6 x 50mm JCB x 16



**3** M6 x 40mm JCB x 16



**4** M6 x 20mm JCB x 8



**5** M6 x 15mm JCB x 4



**6** M8 x 50mm JCB x 8



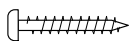
**7** Barrel Nut x 3



**8** Spring Washer x 28



**9** Flat Washer x 28



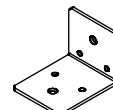
**10** Wood Screw (M4 x 32mm) x 18



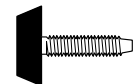
**11** M4 Allen Key x 1



**12** M5 Allen Key x 1



**13** Center Rail Bracket x 2



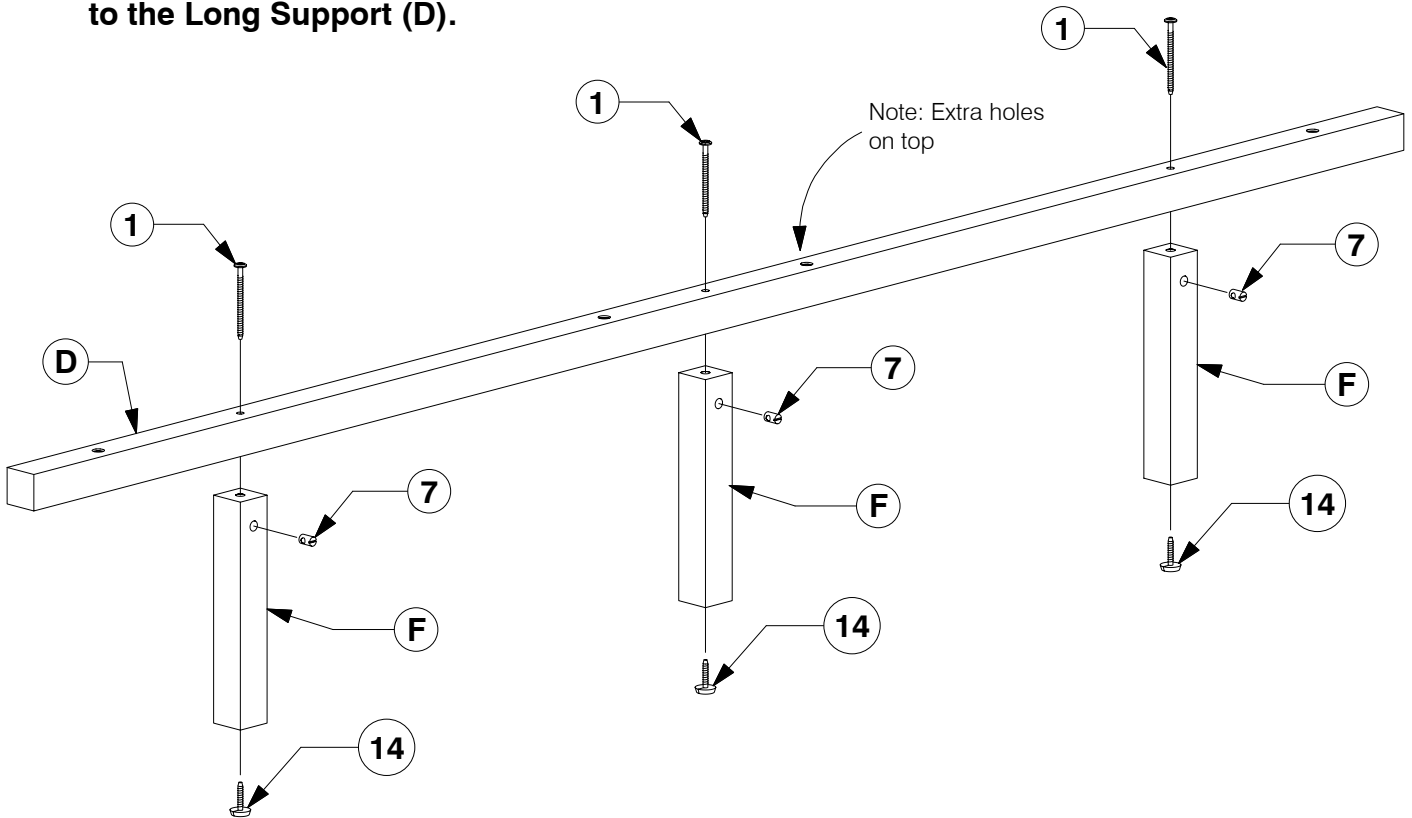
**14** Adjustable Foot x 3

# 0004 Queen Bed

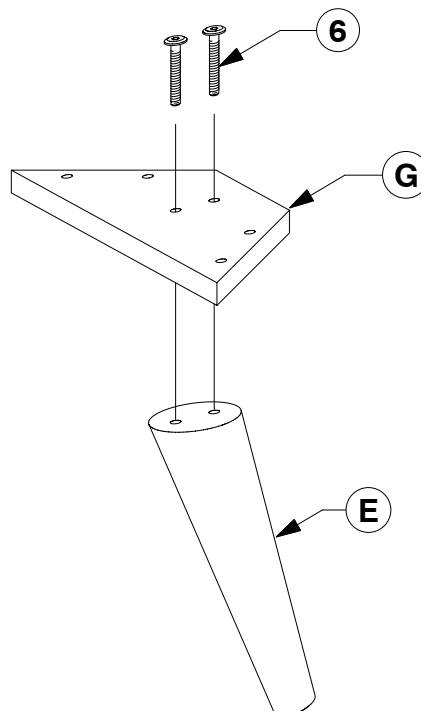
## Assembly Instructions

WII-0819

### 4 Assembled the Support Legs (F) to the Long Support (D).



### 5 Fit the Post (E) to the Support Panel (G).

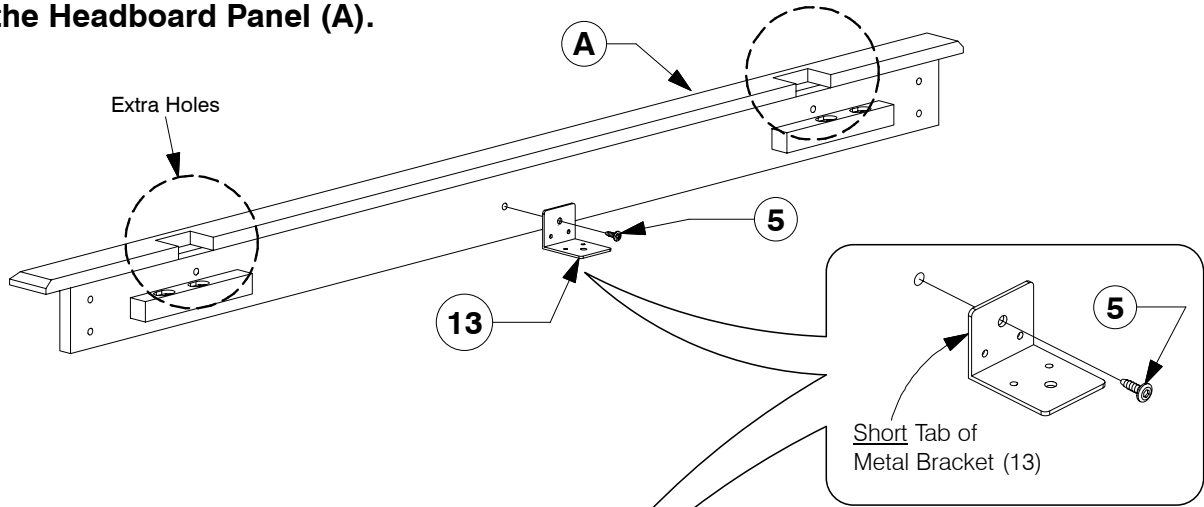


# 0004 Queen Bed

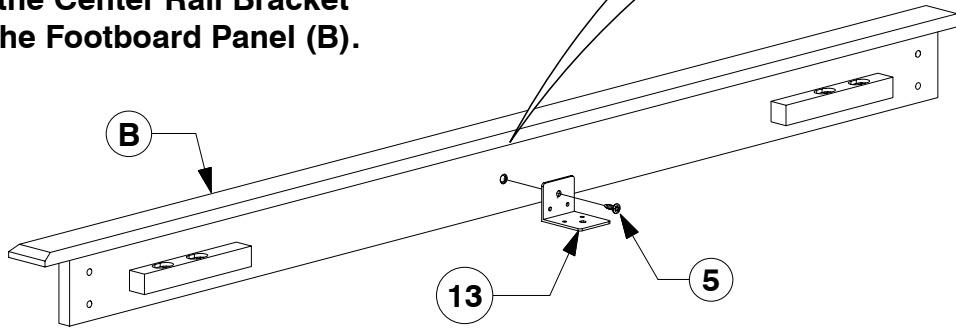
## Assembly Instructions

W11-0819

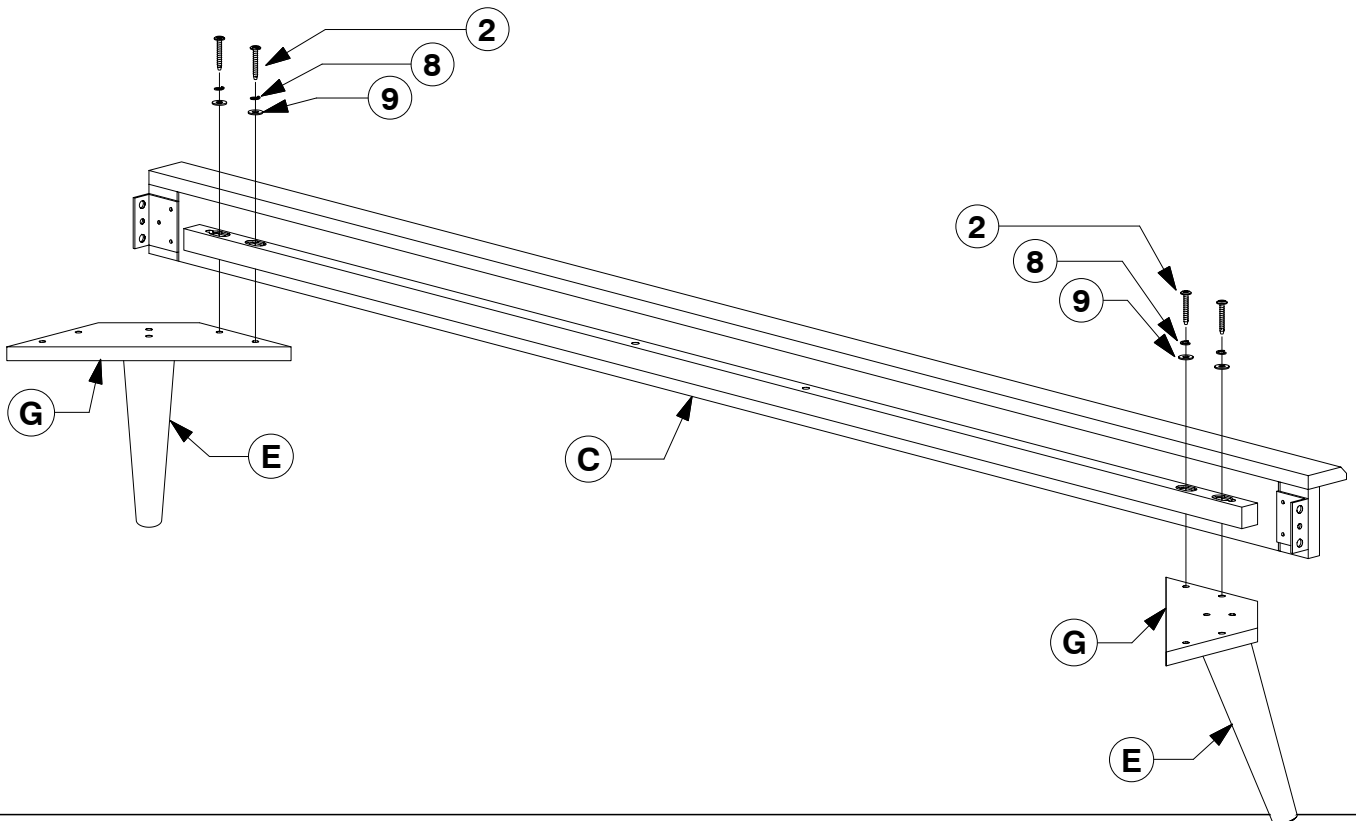
- 6** Fit the Center Rail Bracket to the Headboard Panel (A).



- 7** Fit the Center Rail Bracket to the Footboard Panel (B).



- 8** Bolt the Post & Support Panel (E & G) to the Side Rail (C).

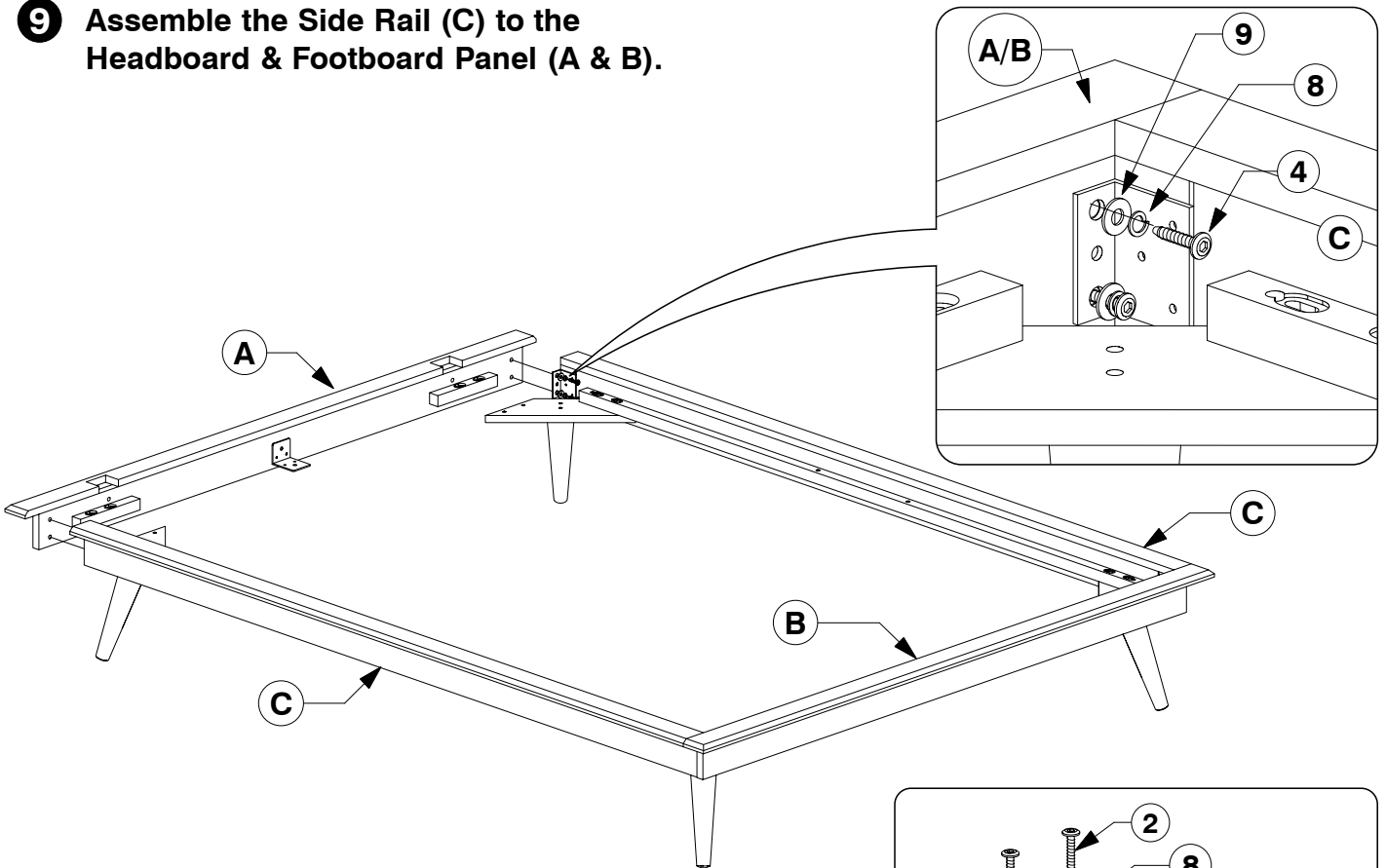


# 0004 Queen Bed

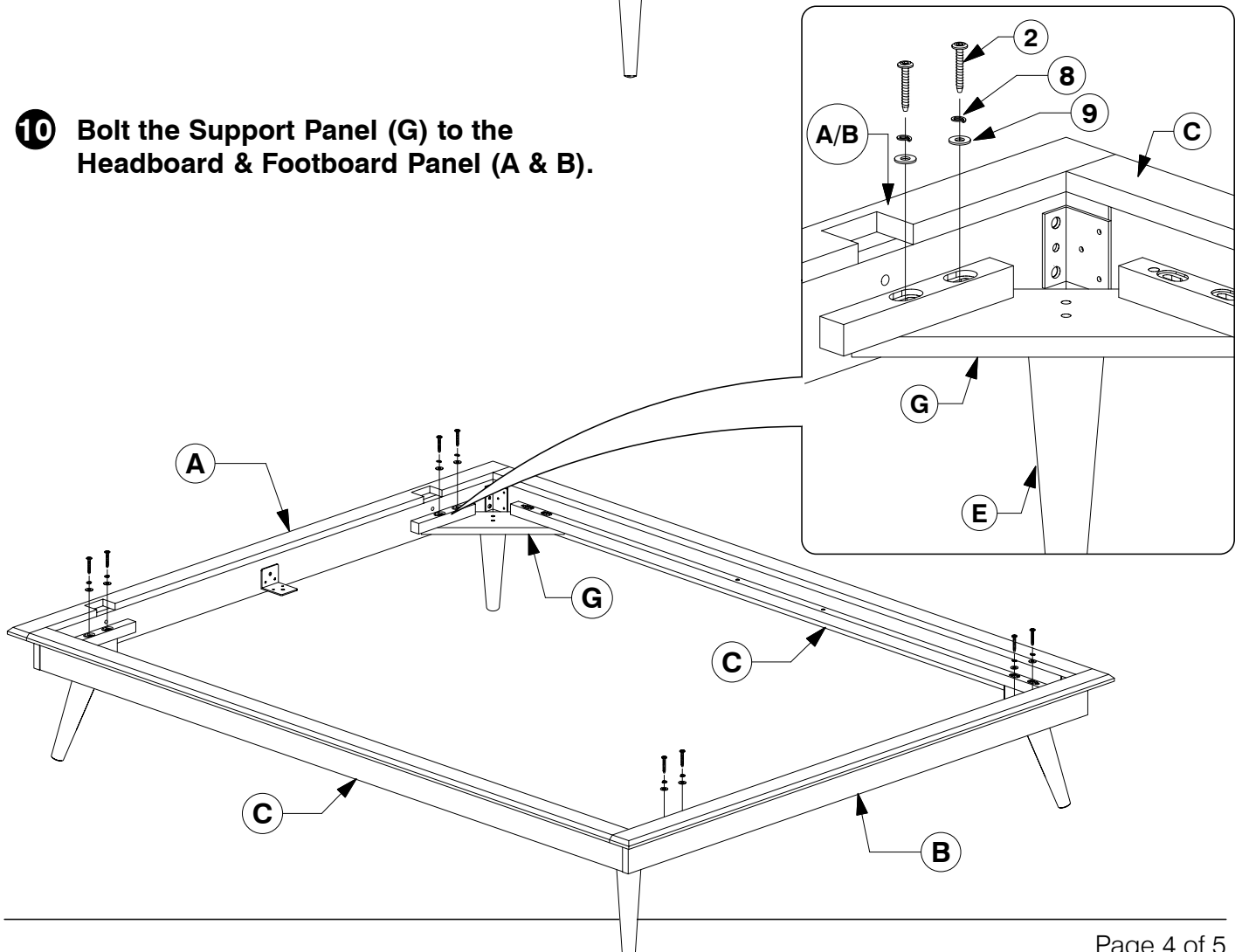
## Assembly Instructions

WII-0819

- 9** Assemble the Side Rail (C) to the Headboard & Footboard Panel (A & B).



- 10** Bolt the Support Panel (G) to the Headboard & Footboard Panel (A & B).

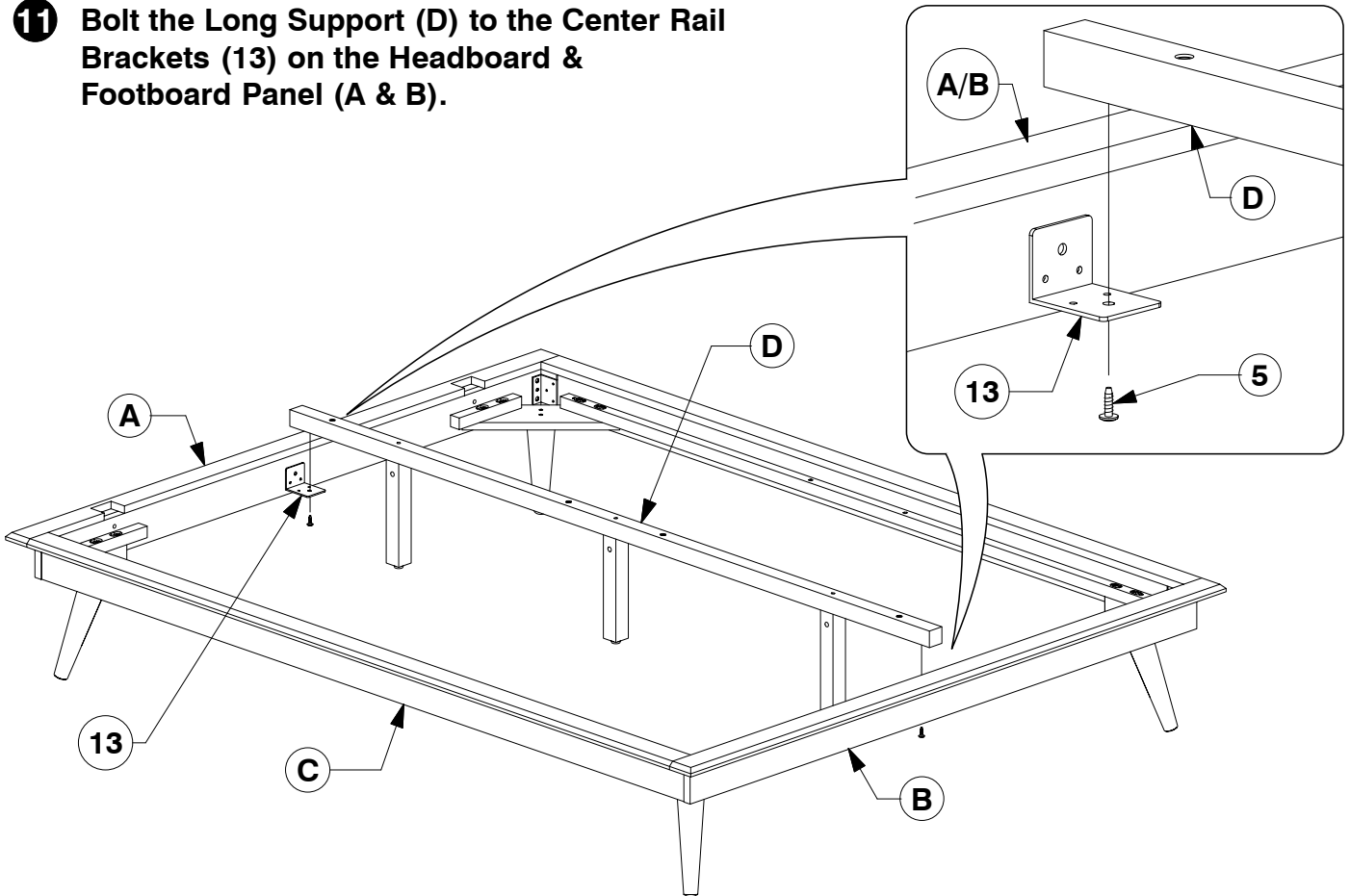


# 0004 Queen Bed

## Assembly Instructions

W11-0819

- 11** Bolt the Long Support (D) to the Center Rail Brackets (13) on the Headboard & Footboard Panel (A & B).



- 12** Bolt & screw the Bed Slats (H) to the Side Rail (C).

