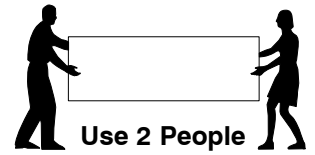
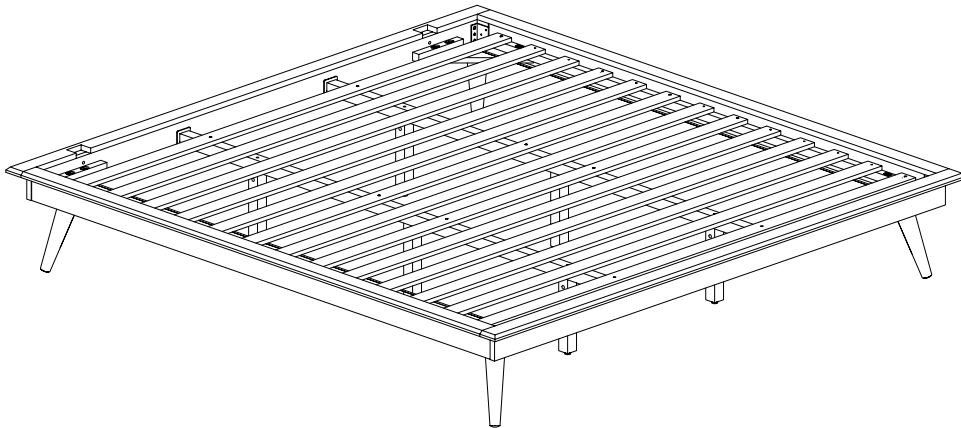


0004 King Bed

Assembly Instructions

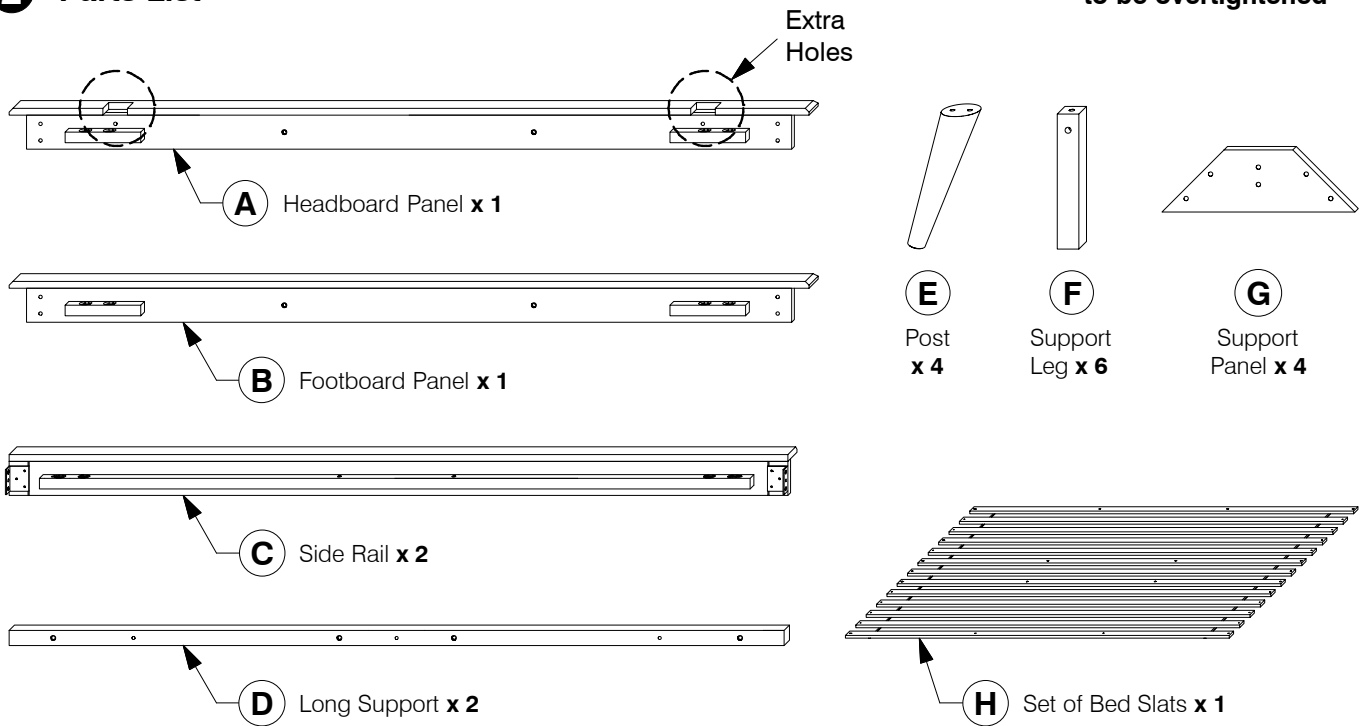
WII-0819

1 Assembled View

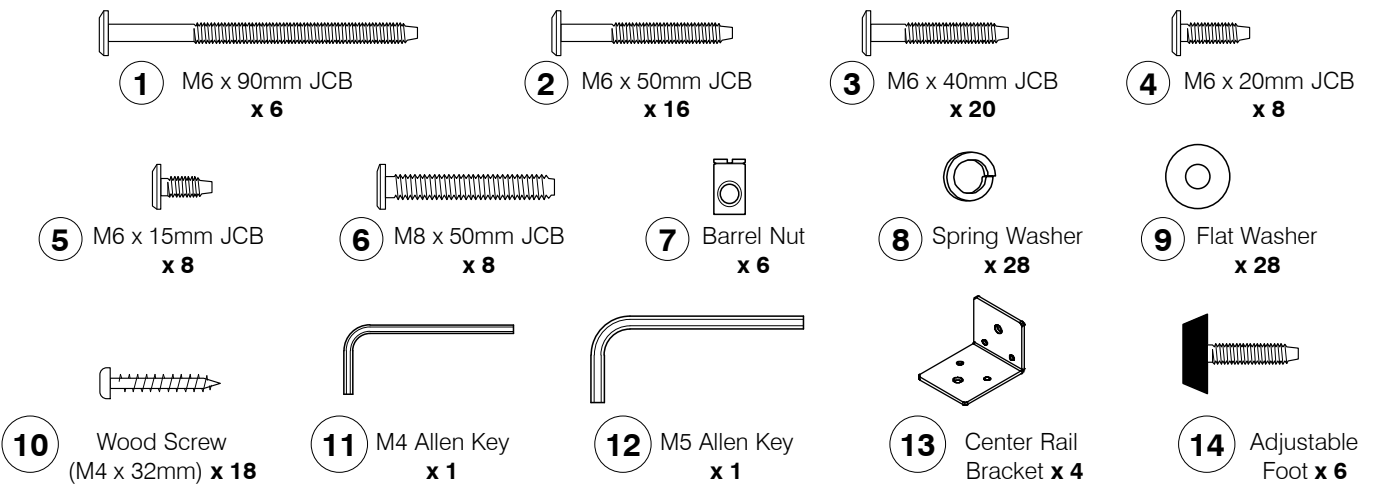


Note: Do not assemble using power tools. This can cause the bolts to be overtightened

2 Parts List



3 Hardware List

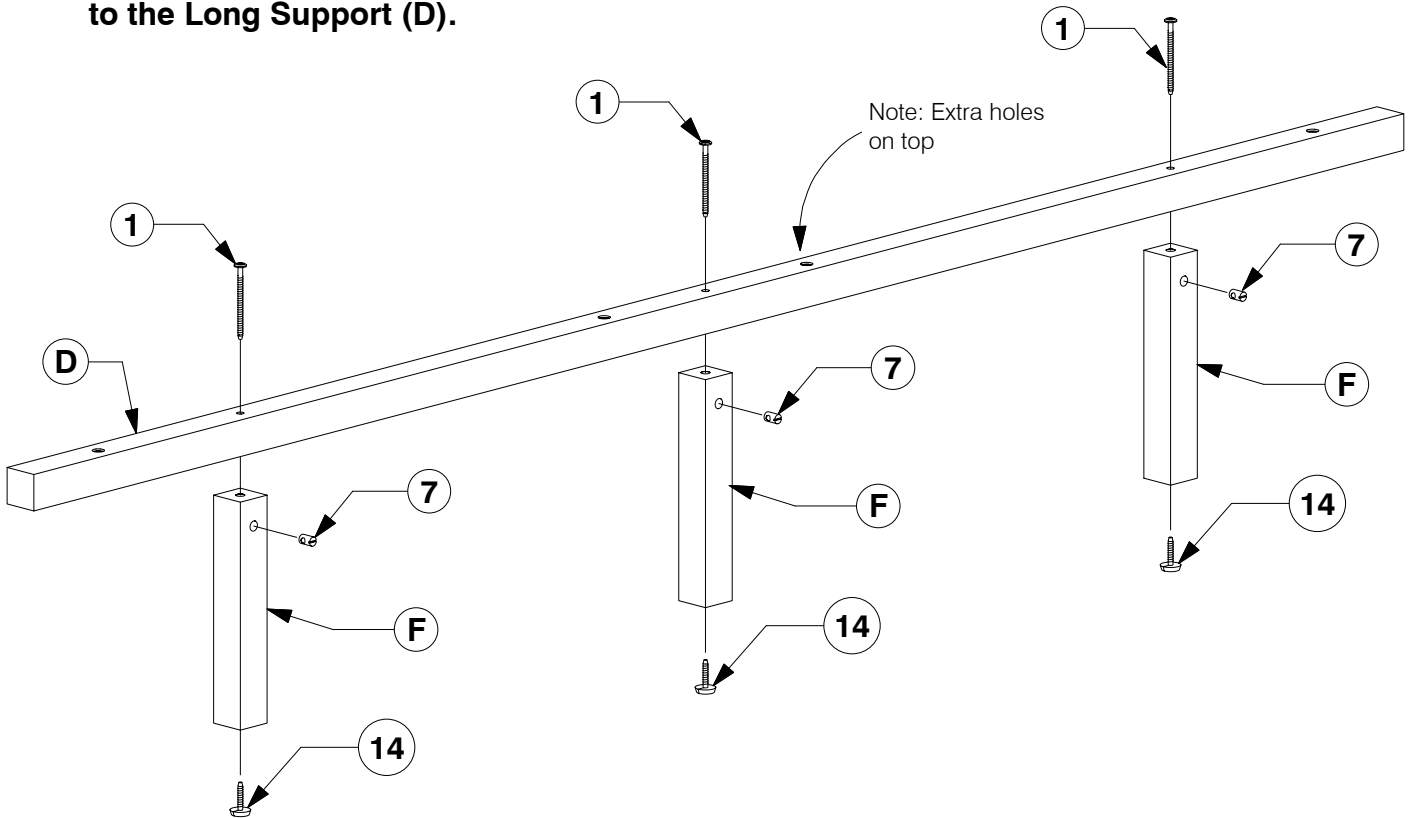


0004 King Bed

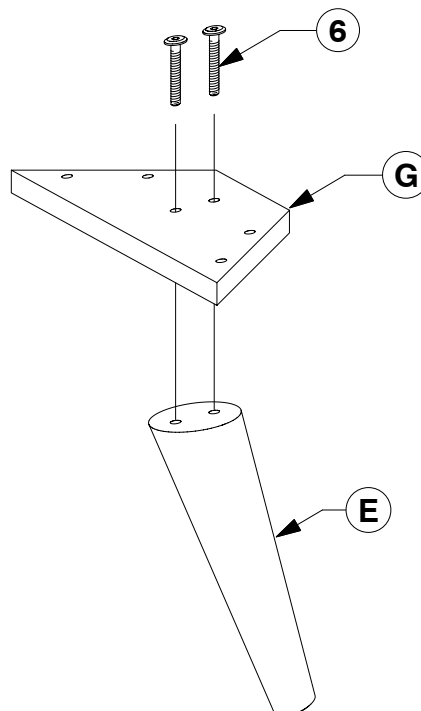
Assembly Instructions

WII-0819

4 Assembled the Support Legs (F) to the Long Support (D).



5 Fit the Post (E) to the Support Panel (G).

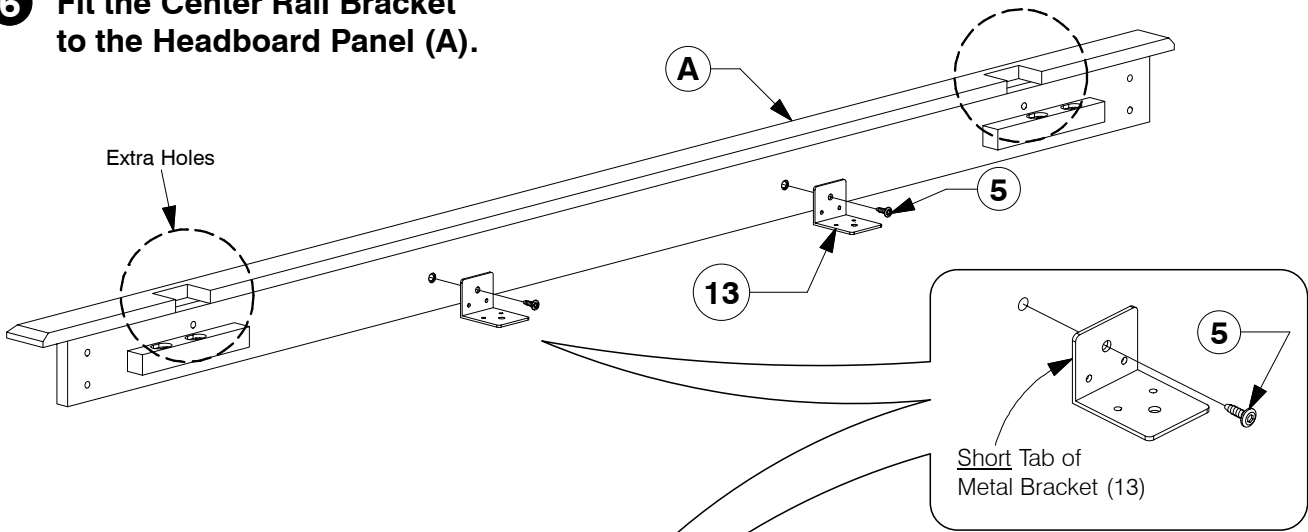


0004 King Bed

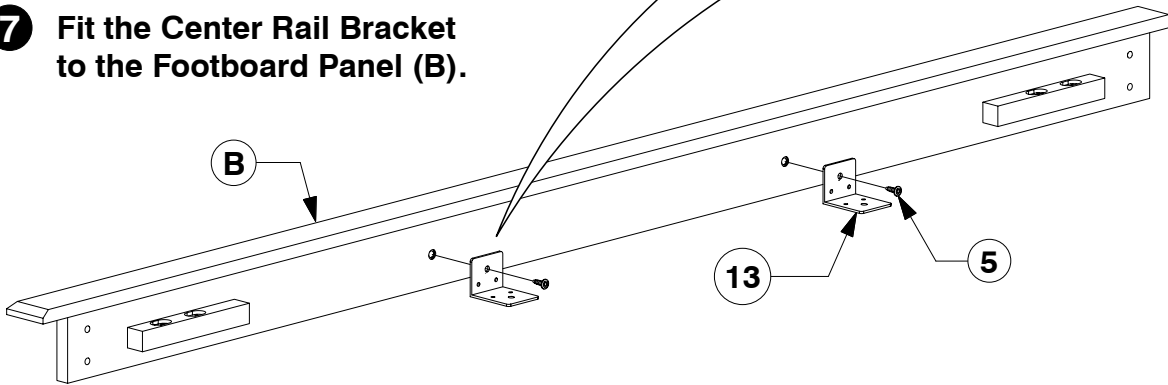
Assembly Instructions

W11-0819

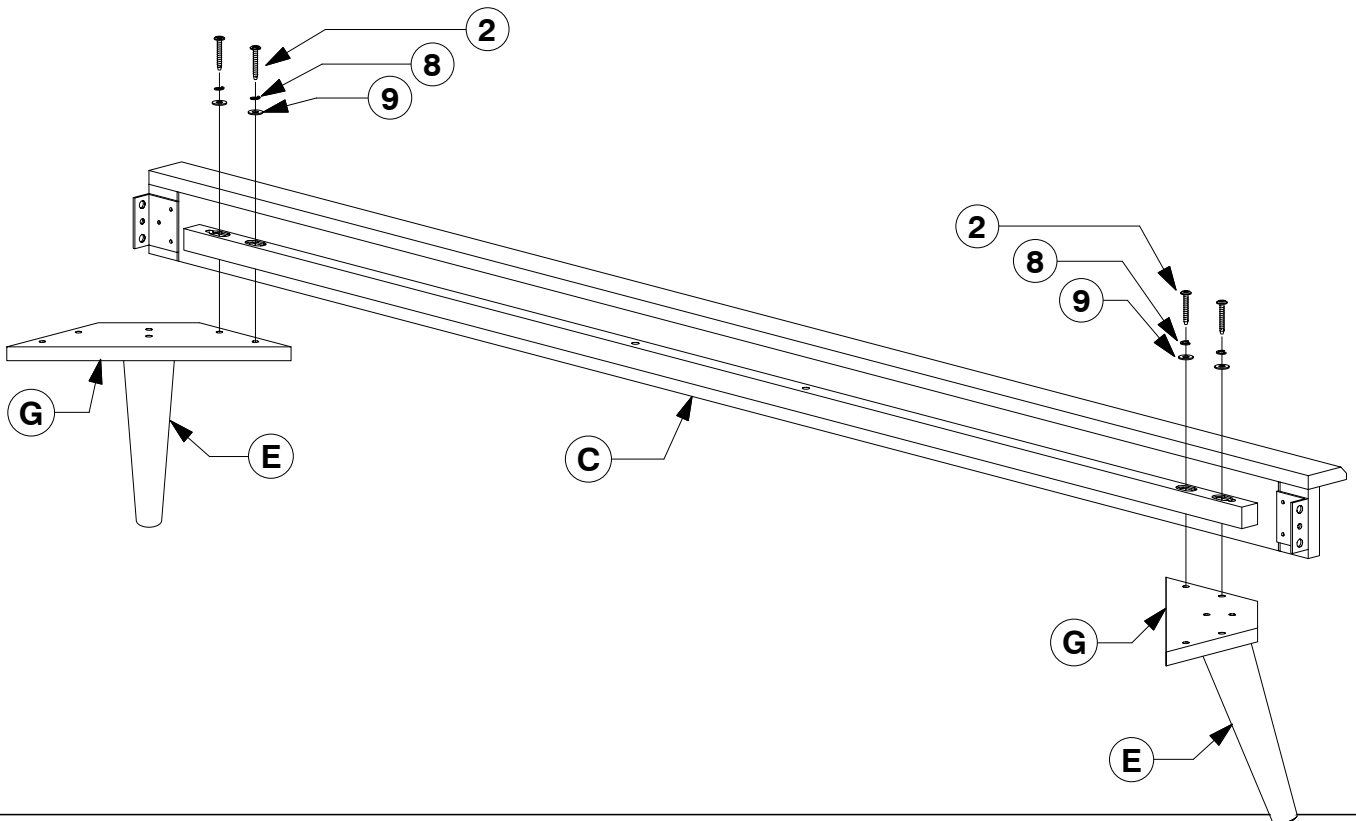
- 6** Fit the Center Rail Bracket to the Headboard Panel (A).



- 7** Fit the Center Rail Bracket to the Footboard Panel (B).



- 8** Bolt the Post & Support Panel (E & G) to the Side Rail (C).

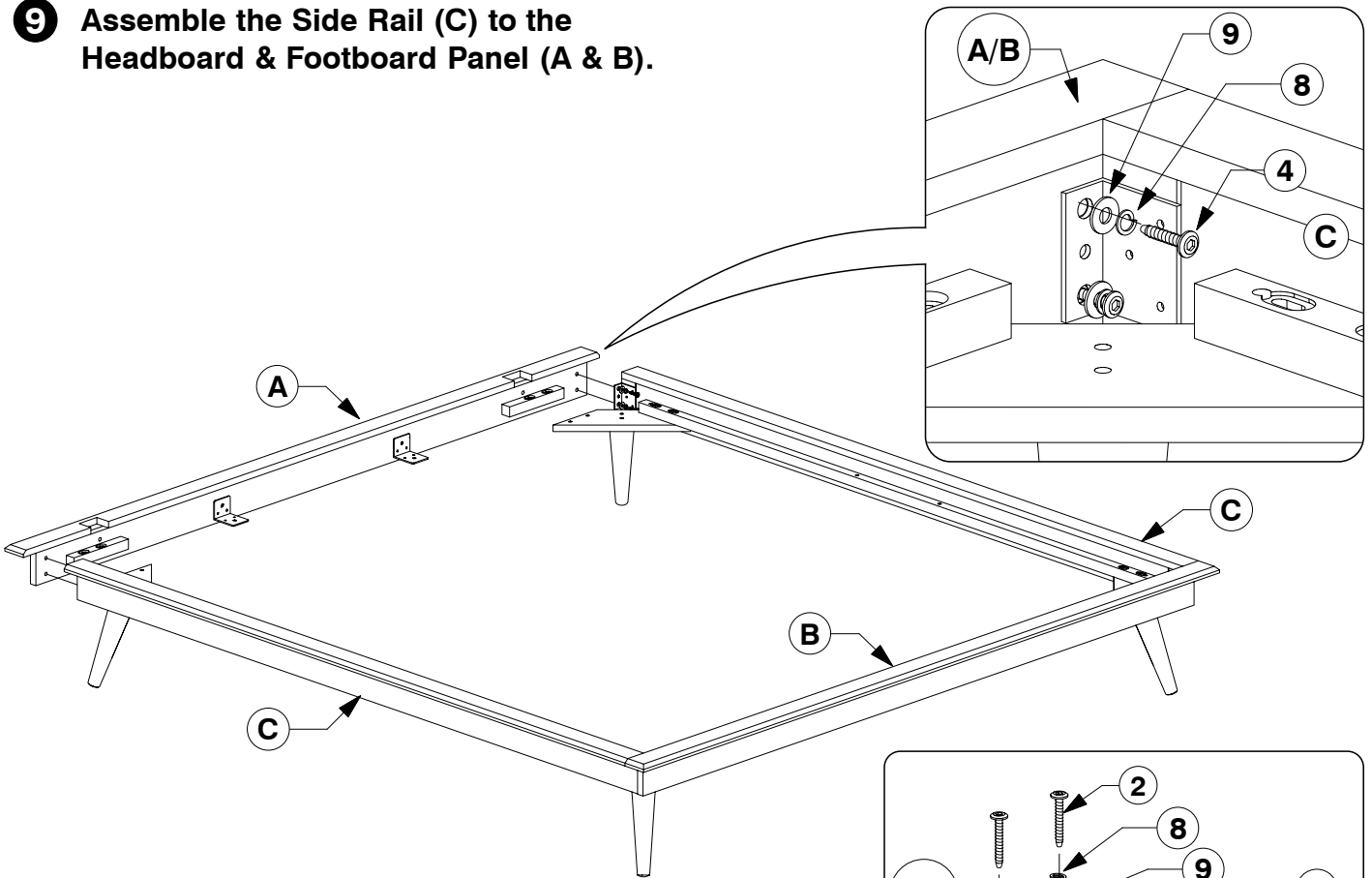


0004 King Bed

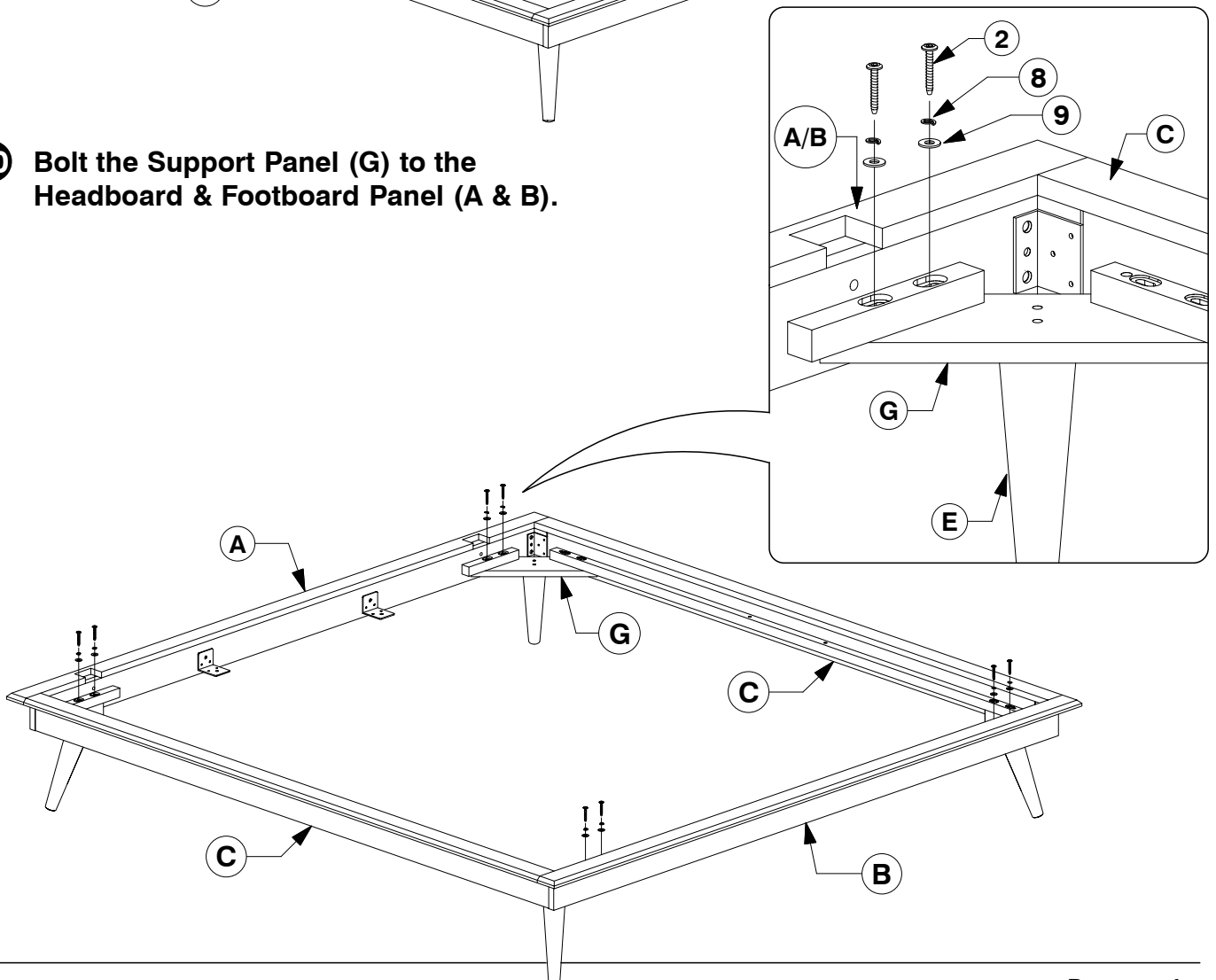
Assembly Instructions

W11-0819

- 9** Assemble the Side Rail (C) to the Headboard & Footboard Panel (A & B).



- 10** Bolt the Support Panel (G) to the Headboard & Footboard Panel (A & B).

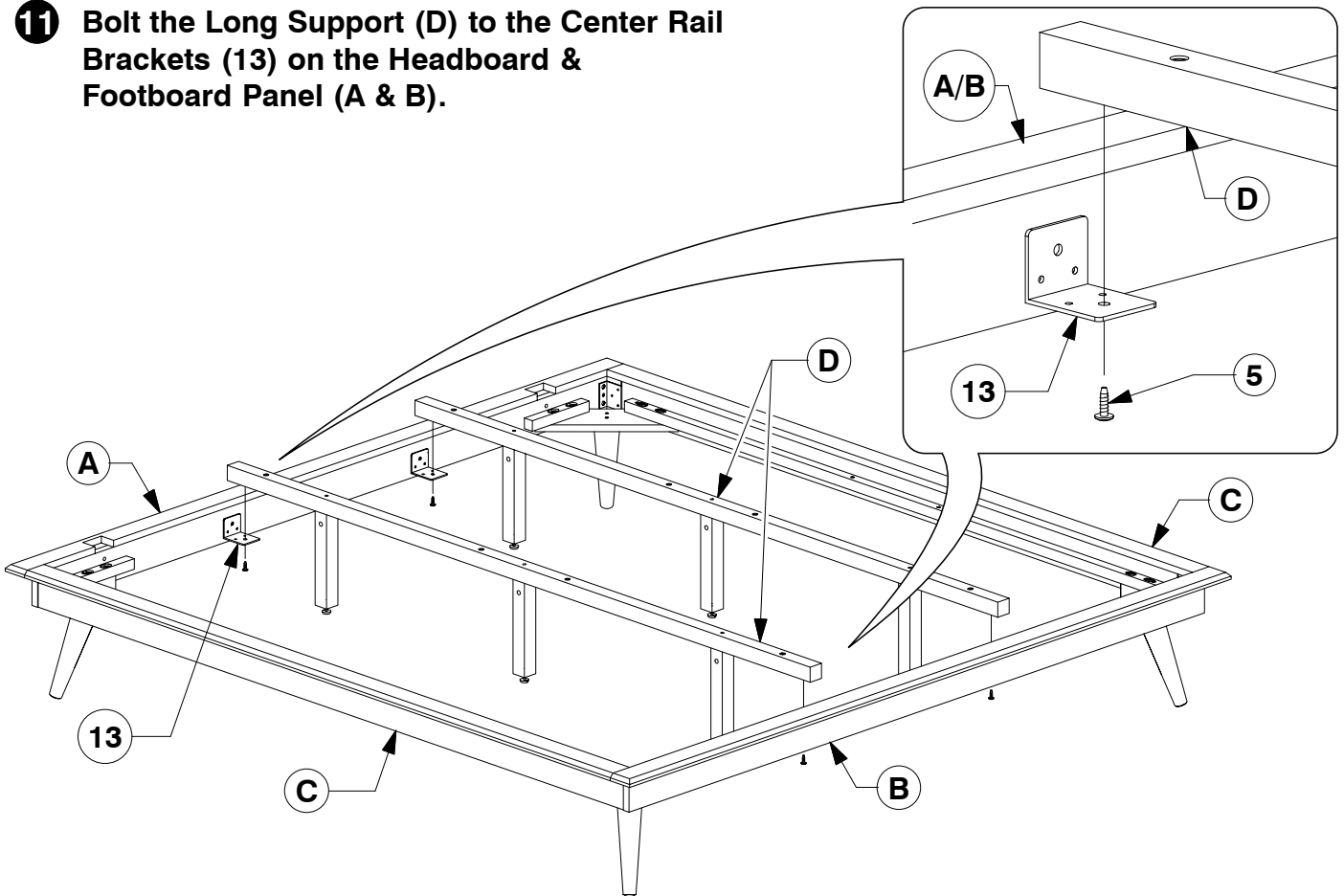


0004 King Bed

Assembly Instructions

WII-0819

- 11** Bolt the Long Support (D) to the Center Rail Brackets (13) on the Headboard & Footboard Panel (A & B).



- 12** Bolt & screw the Bed Slats (H) to the Side Rail (C).

