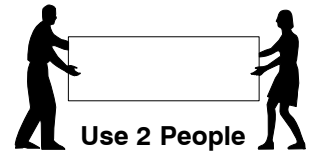
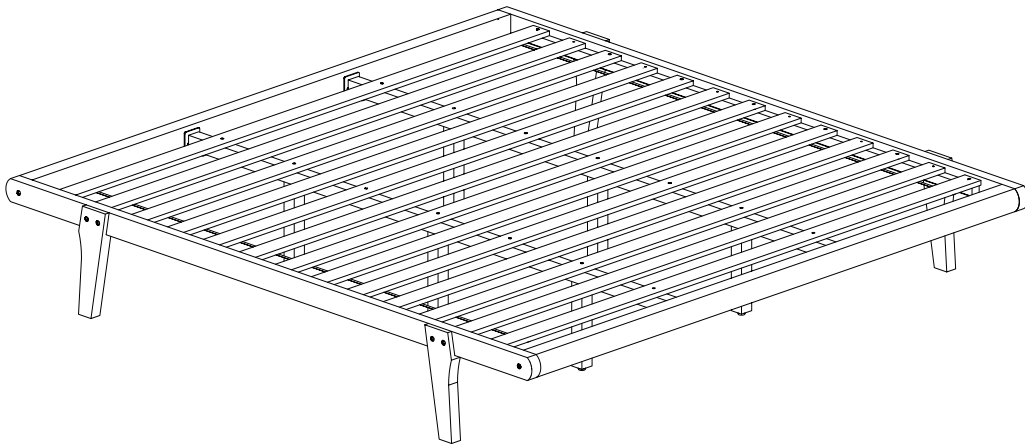
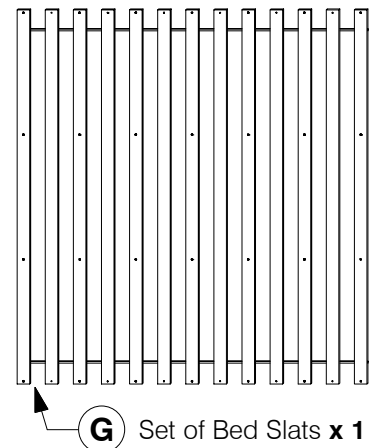
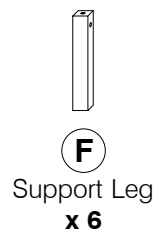
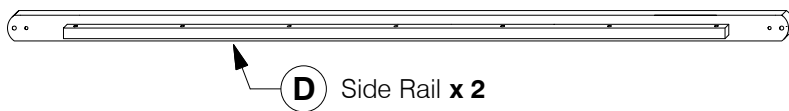
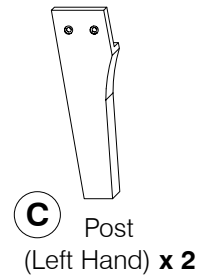
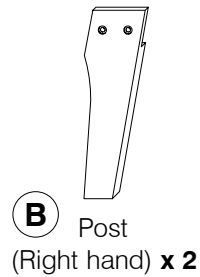


**1 Assembled View**



**Note:** Do not assemble using power tools. This can cause the bolts to be overtightened

**2 Parts List**



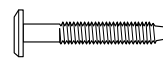
**3 Hardware List**



**1** M6 x 100mm JCB  
x 6



**2** M6 x 60mm JCB  
x 4



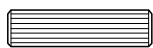
**3** M6 x 40mm JCB  
x 30



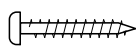
**4** M6 x 15mm JCB  
x 8



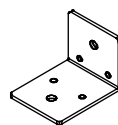
**5** Barrel Nut  
x 6



**6** Wood Dowel  
(M10 x 40mm)  
x 4



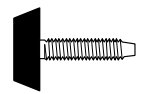
**7** Wood Screw  
(M4 x 32mm)  
x 12



**8** Center Rail  
Bracket x 4

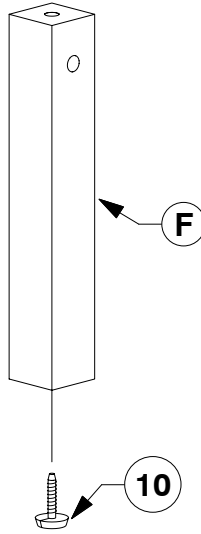


**9** Allen Key  
x 1

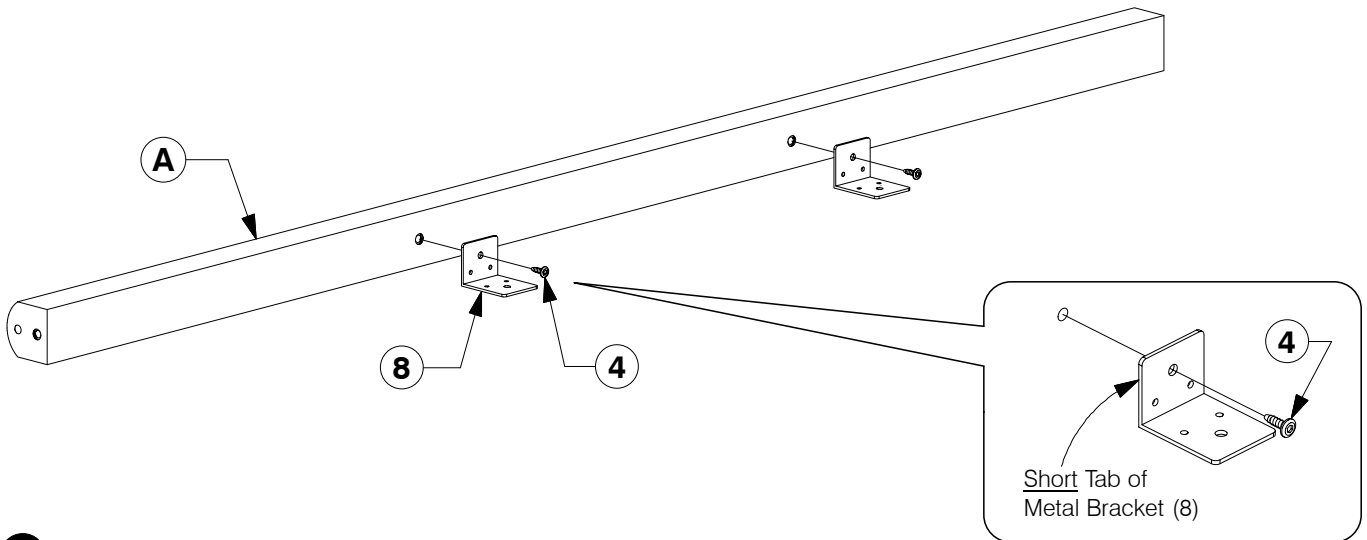


**10** Adjustable  
Foot x 6

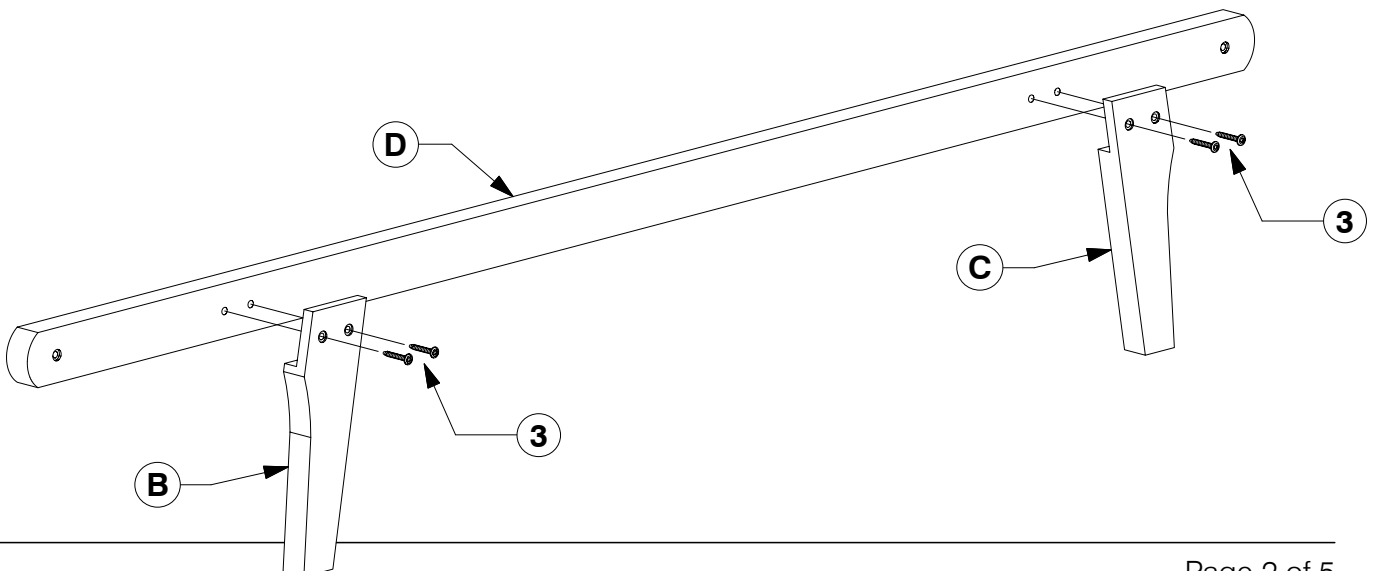
**4** Fix the Adjustable foot to the bottom of the Support Leg (F).



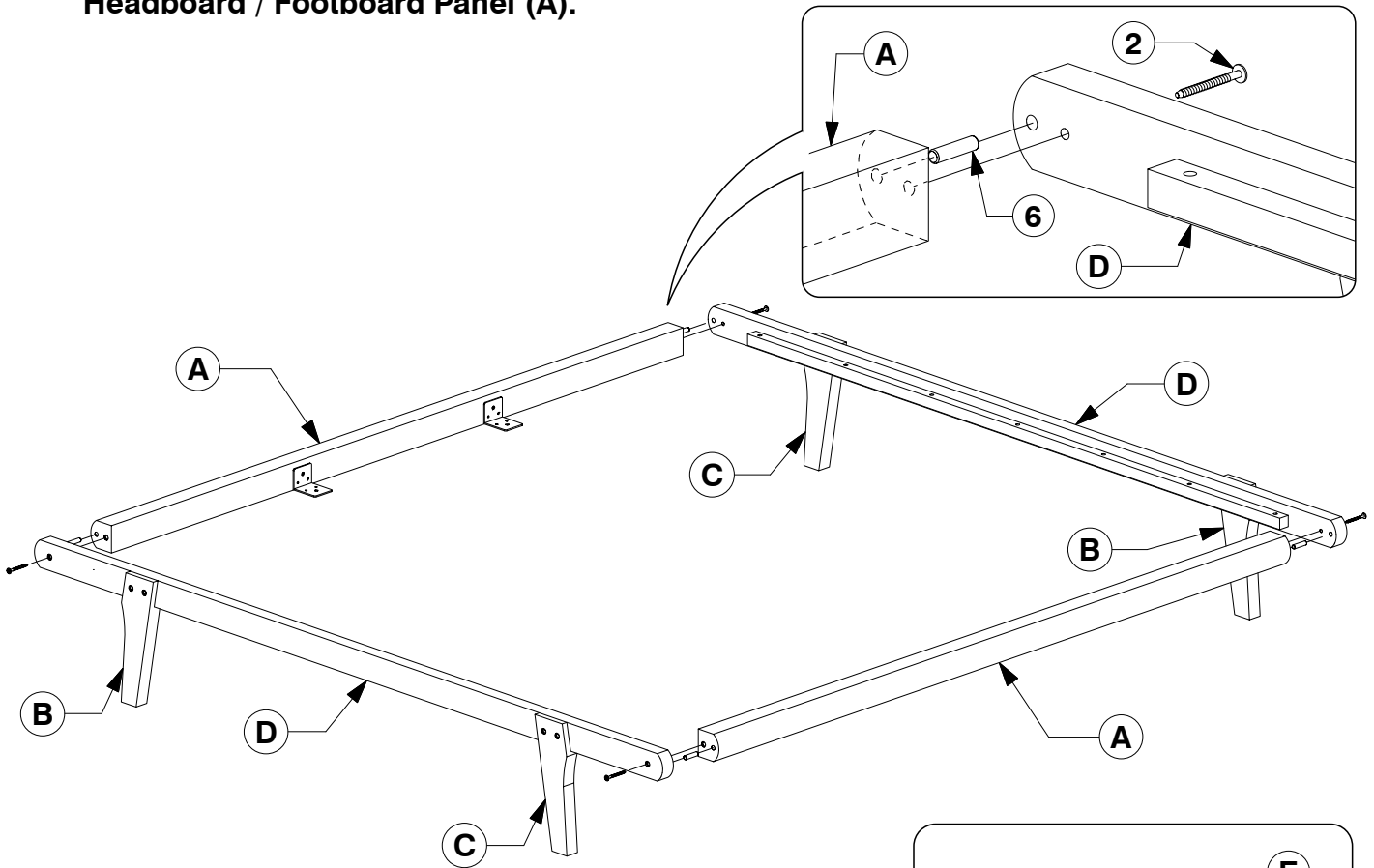
**5** Fit the Center Rail Bracket to the Headboard / Footboard Panel (A).



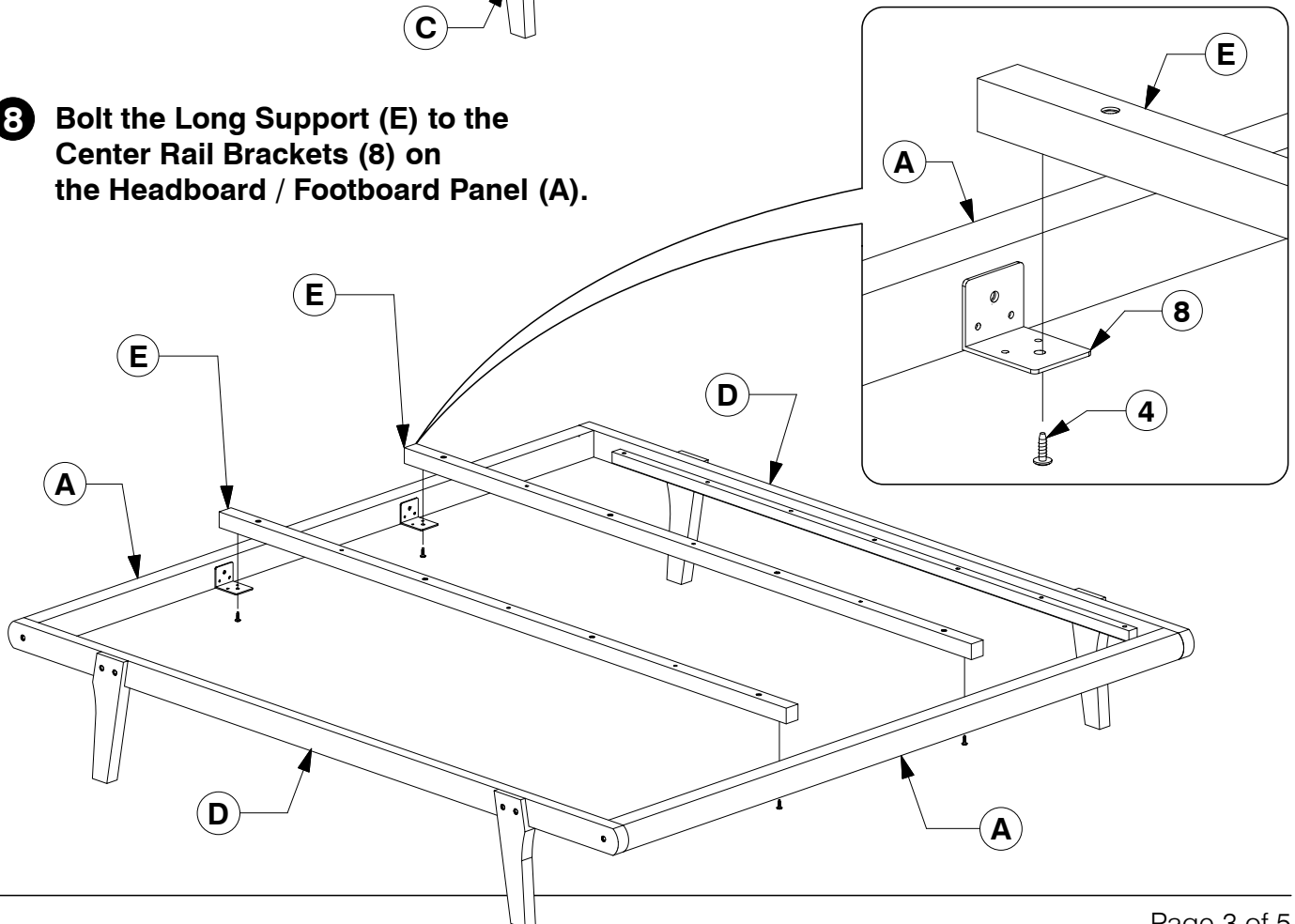
**6** Assemble the Post (B & C) to the Side Rail (D).



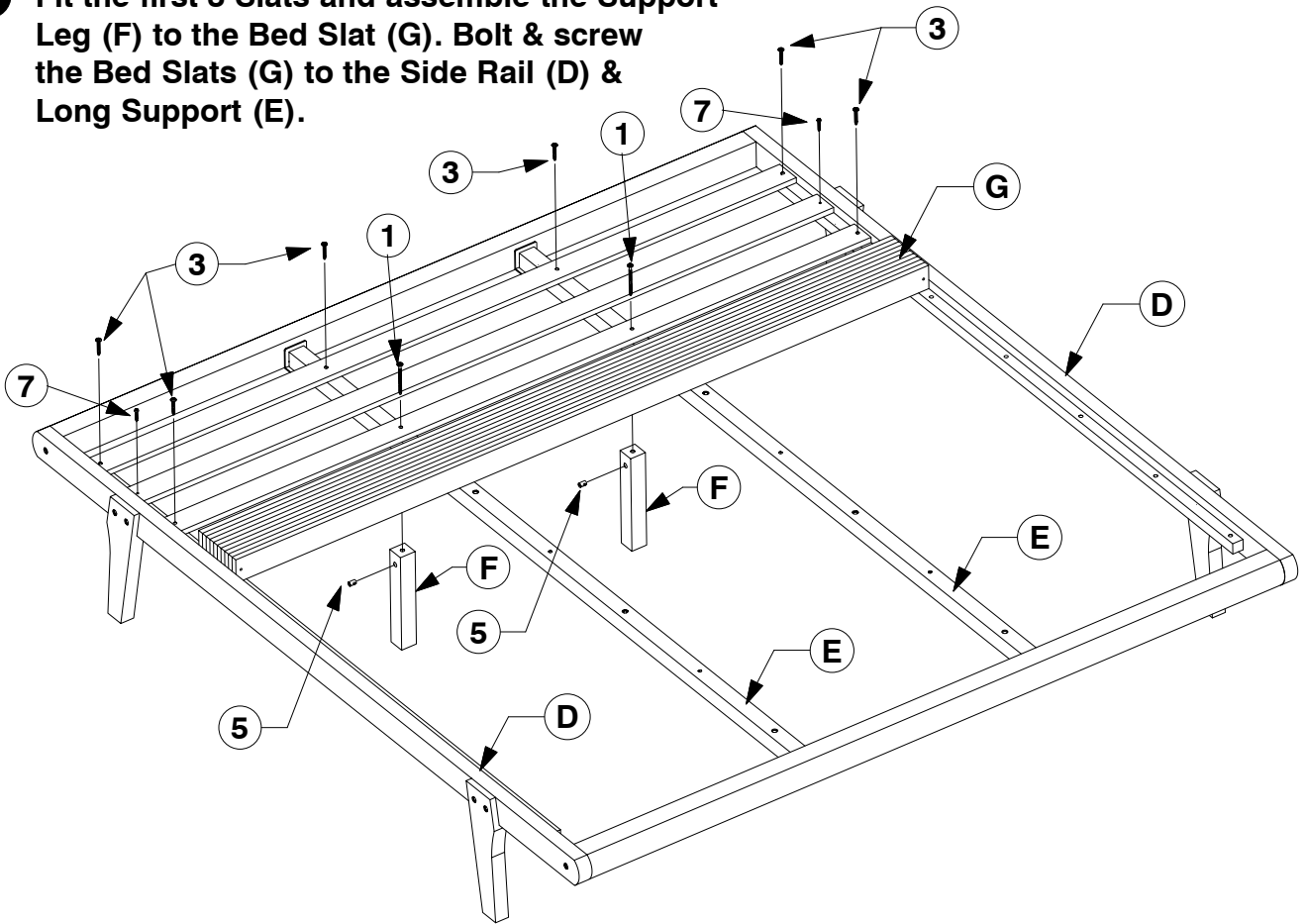
**7** Assemble the Side Rail (D) to the Headboard / Footboard Panel (A).



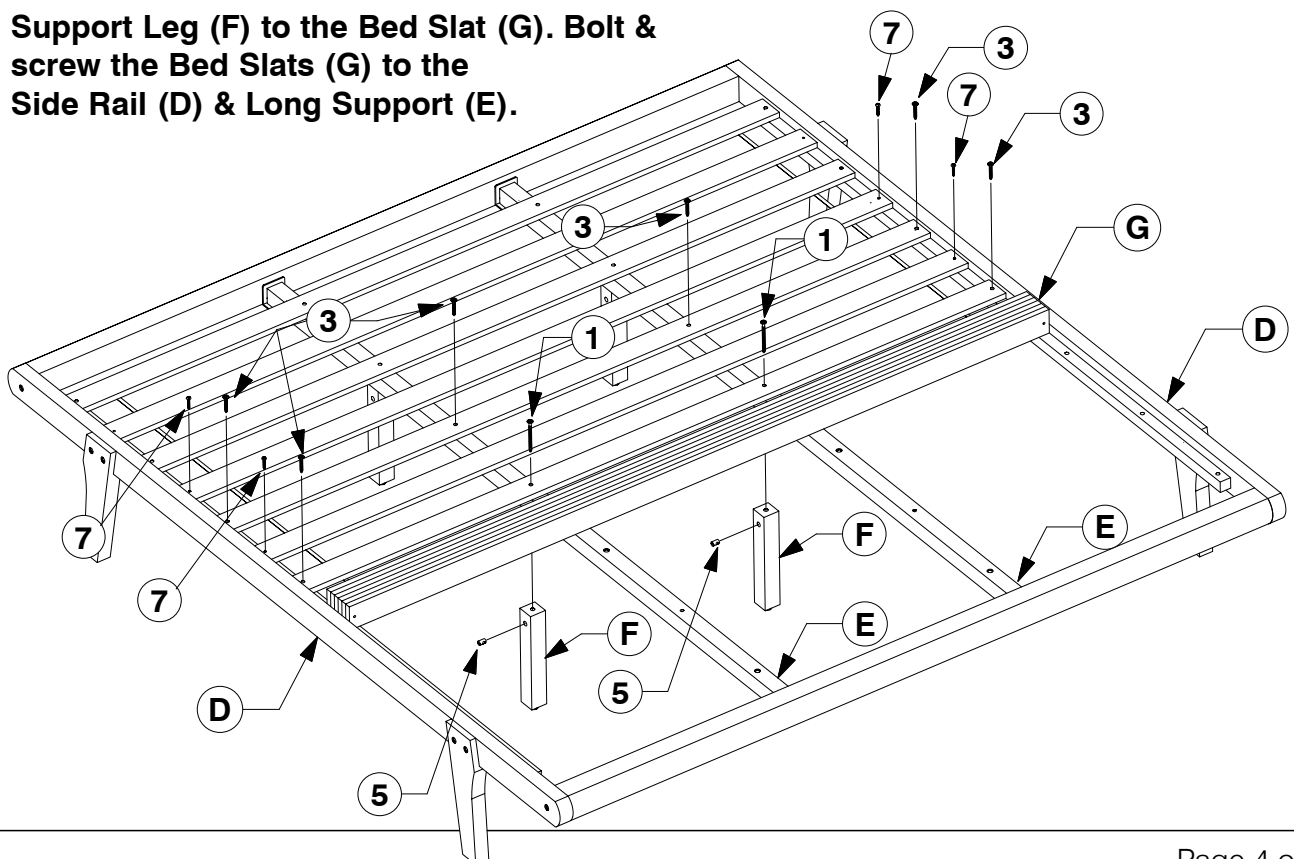
**8** Bolt the Long Support (E) to the Center Rail Brackets (8) on the Headboard / Footboard Panel (A).



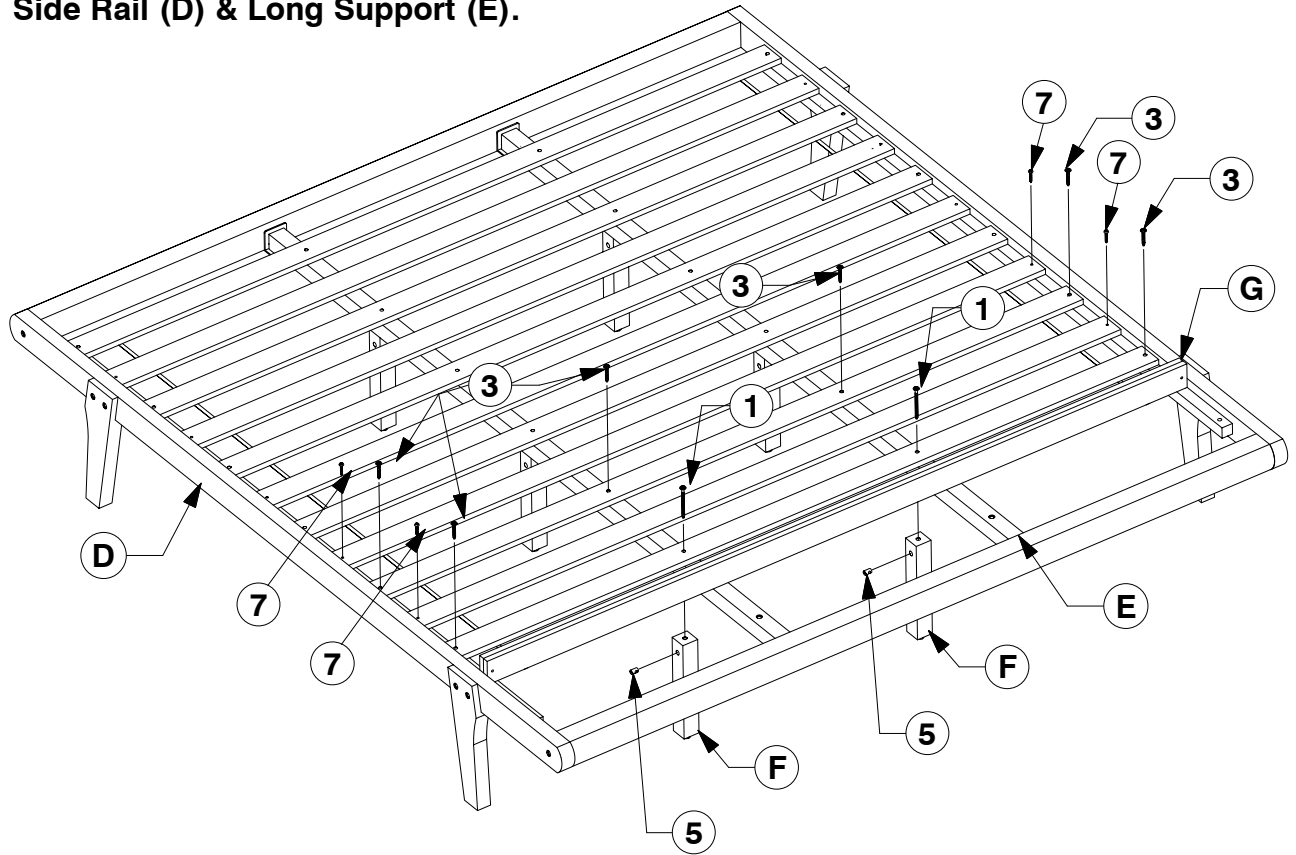
- 9** Fit the first 3 Slats and assemble the Support Leg (F) to the Bed Slat (G). Bolt & screw the Bed Slats (G) to the Side Rail (D) & Long Support (E).



- 10** Fit the other Slats out and assemble the Support Leg (F) to the Bed Slat (G). Bolt & screw the Bed Slats (G) to the Side Rail (D) & Long Support (E).



- 11** Fit the other Slats out and assemble the Support Leg (F) to the Bed Slat (G). Bolt & screw the Bed Slats (G) to the Side Rail (D) & Long Support (E).



- 12** Bolt & screw the remaining Bed Slats (G) to the Side Rail (D).

