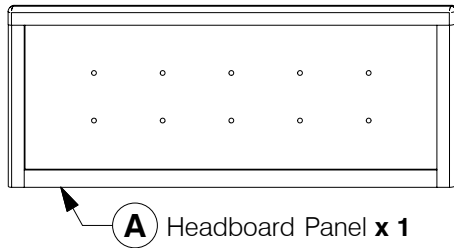


Full / Queen Headboard

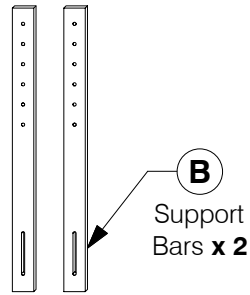
Assembly Instructions

0818

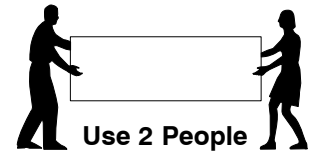
1 Parts List



A Headboard Panel x 1



B
Support
Bars x 2



2 Hardware List



1 M6 x 35mm JCB
x 4



2 Spring Washer
x 4



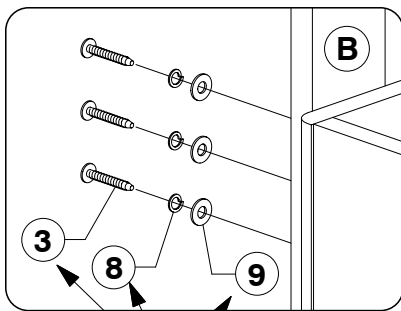
3 Flat Washer
x 4



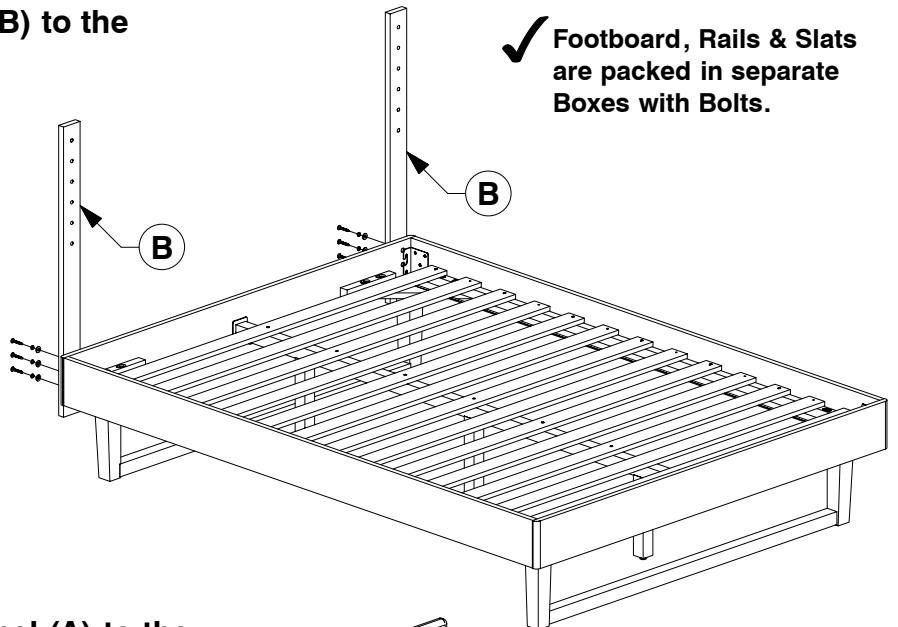
4 Allen Key
x 1

Note: Do not assemble
using power tools.
This can cause the bolts
to be overtightened

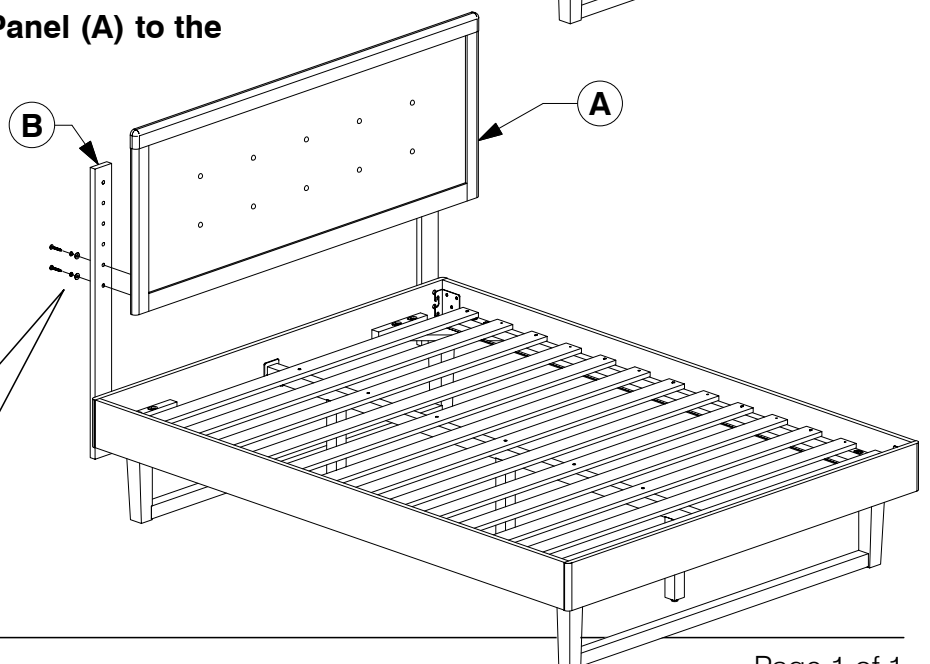
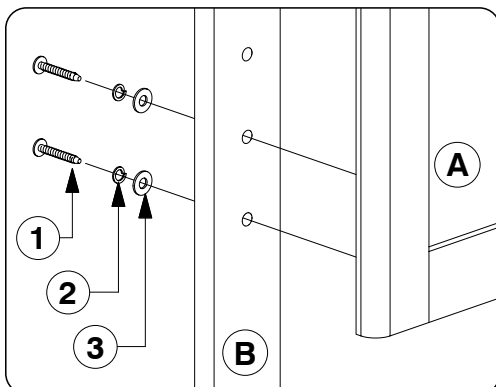
3 Assemble the Support Bars (B) to the Headboard Panel.



*Note: Bolts & Washers from
Footboard, Rails & Slats Box.*



4 Assemble the Headboard Panel (A) to the Support Bars (B).

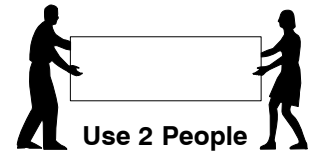
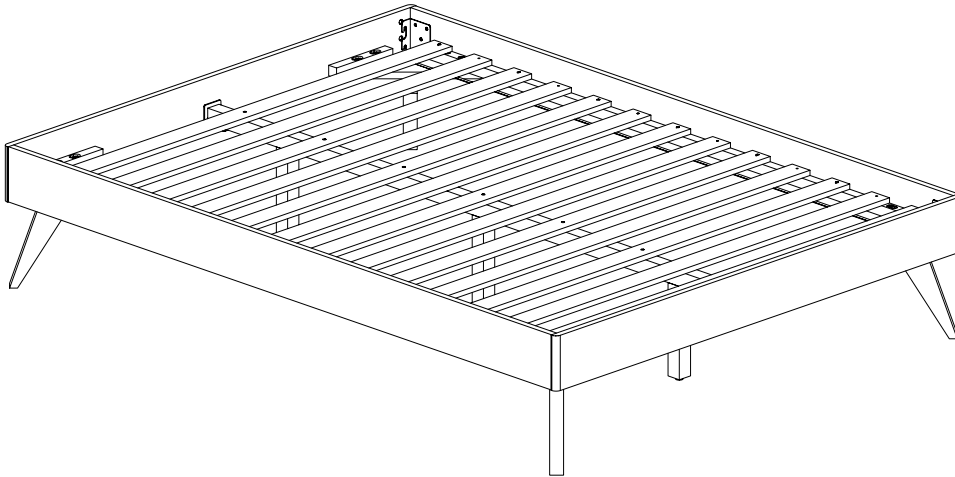


Full Bed

Assembly Instructions

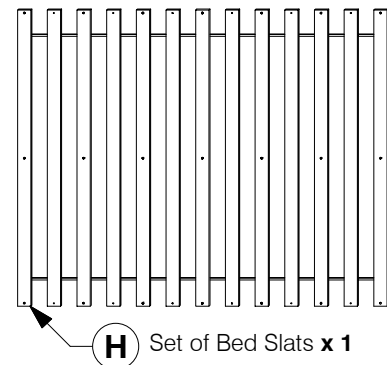
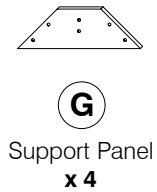
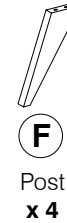
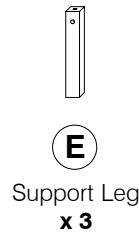
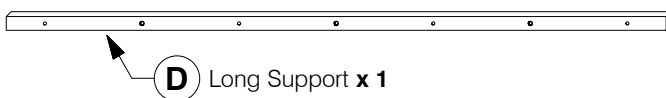
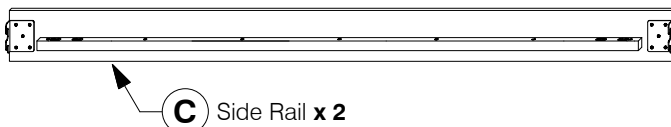
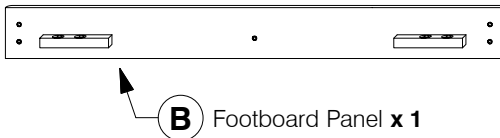
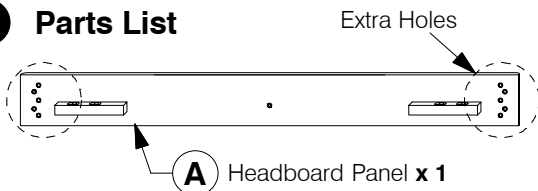
0818

1 Assembled View

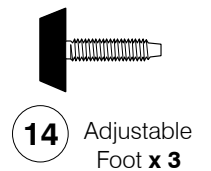
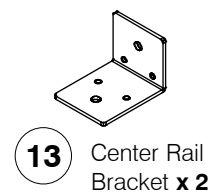
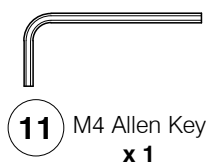
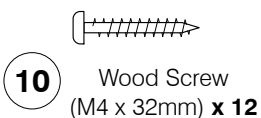
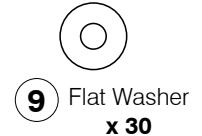
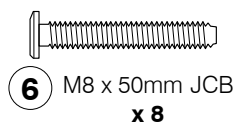
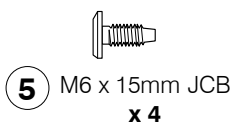
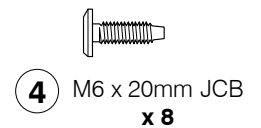
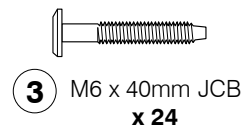
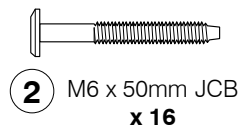
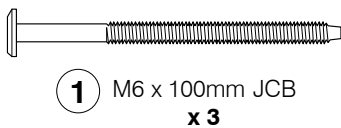


Note: Do not assemble using power tools. This can cause the bolts to be overtightened

2 Parts List



3 Hardware List

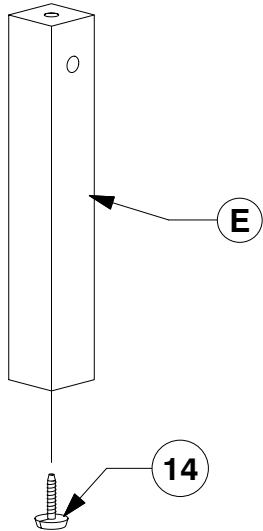


Full Bed

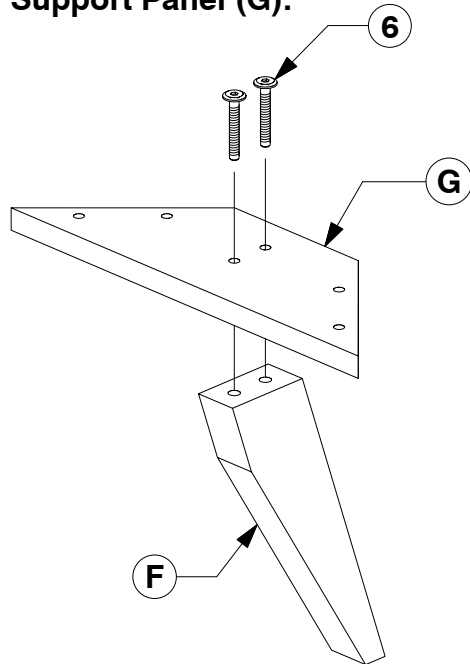
Assembly Instructions

0818

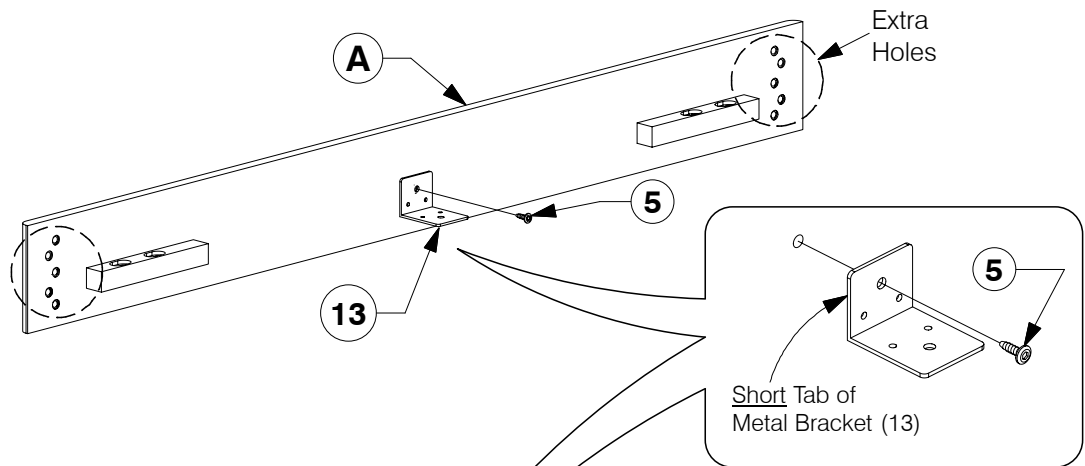
- 4** Fix the Adjustable foot to the bottom of the Support Leg (E).



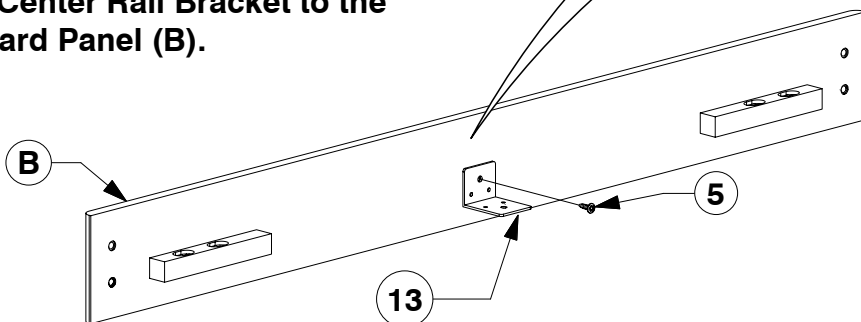
- 5** Fit the Post (F) to the Support Panel (G).



- 6** Fit the Center Rail Bracket to the Headboard Panel (A).



- 7** Fit the Center Rail Bracket to the Footboard Panel (B).

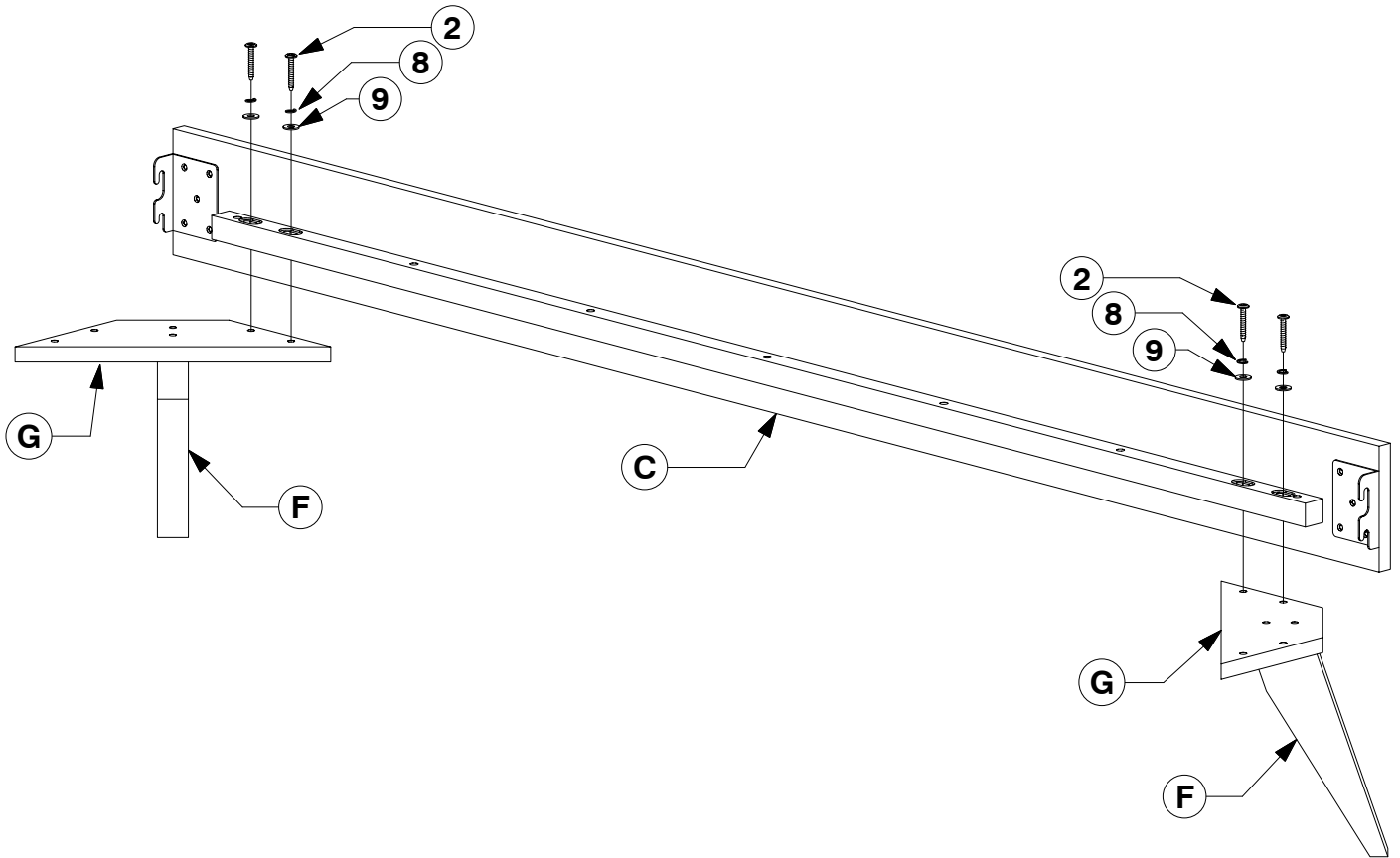


Full Bed

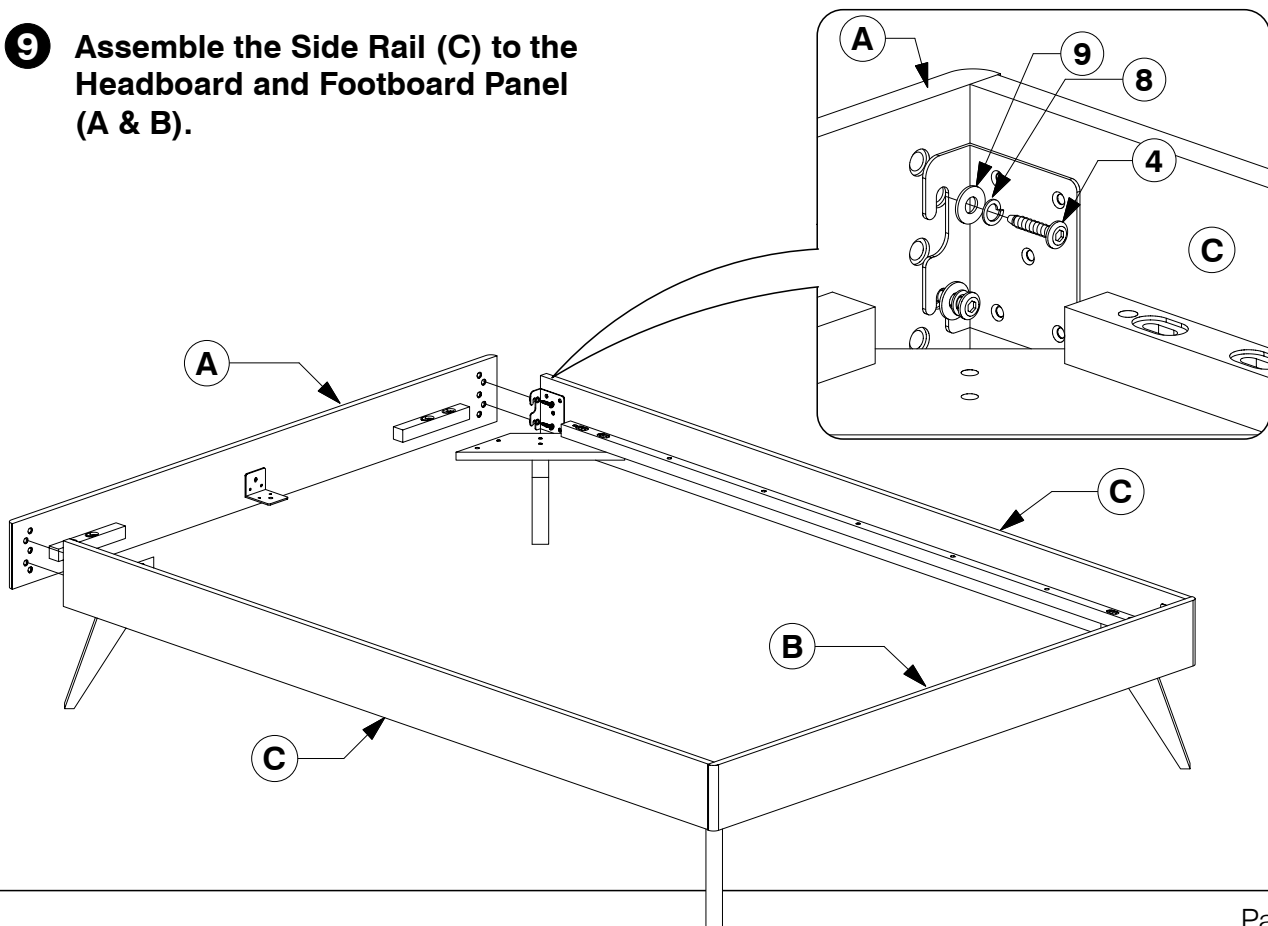
Assembly Instructions

0818

8 Bolt the assembled Support Panel (G) to the Side Rail (C).



9 Assemble the Side Rail (C) to the Headboard and Footboard Panel (A & B).

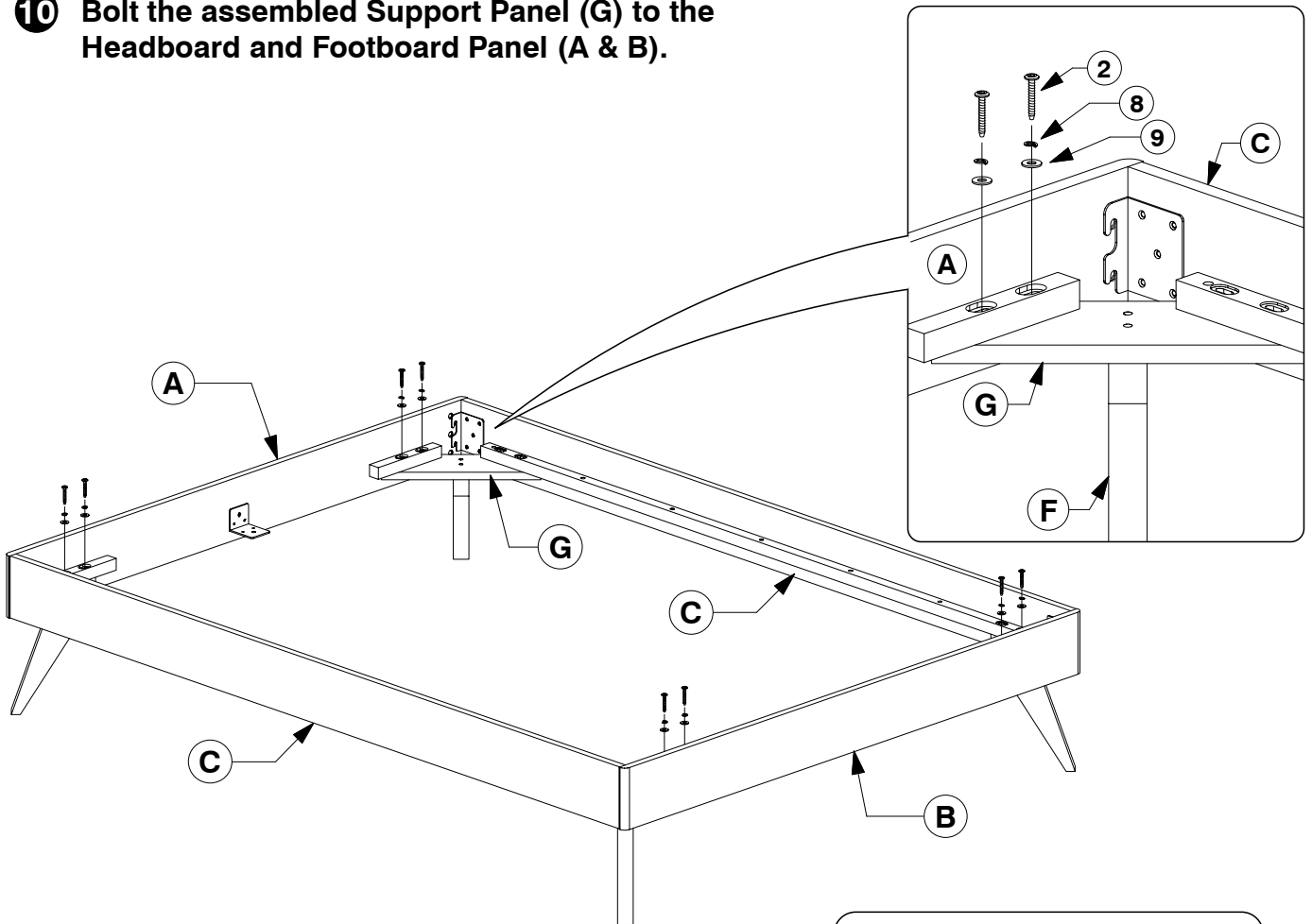


Full Bed

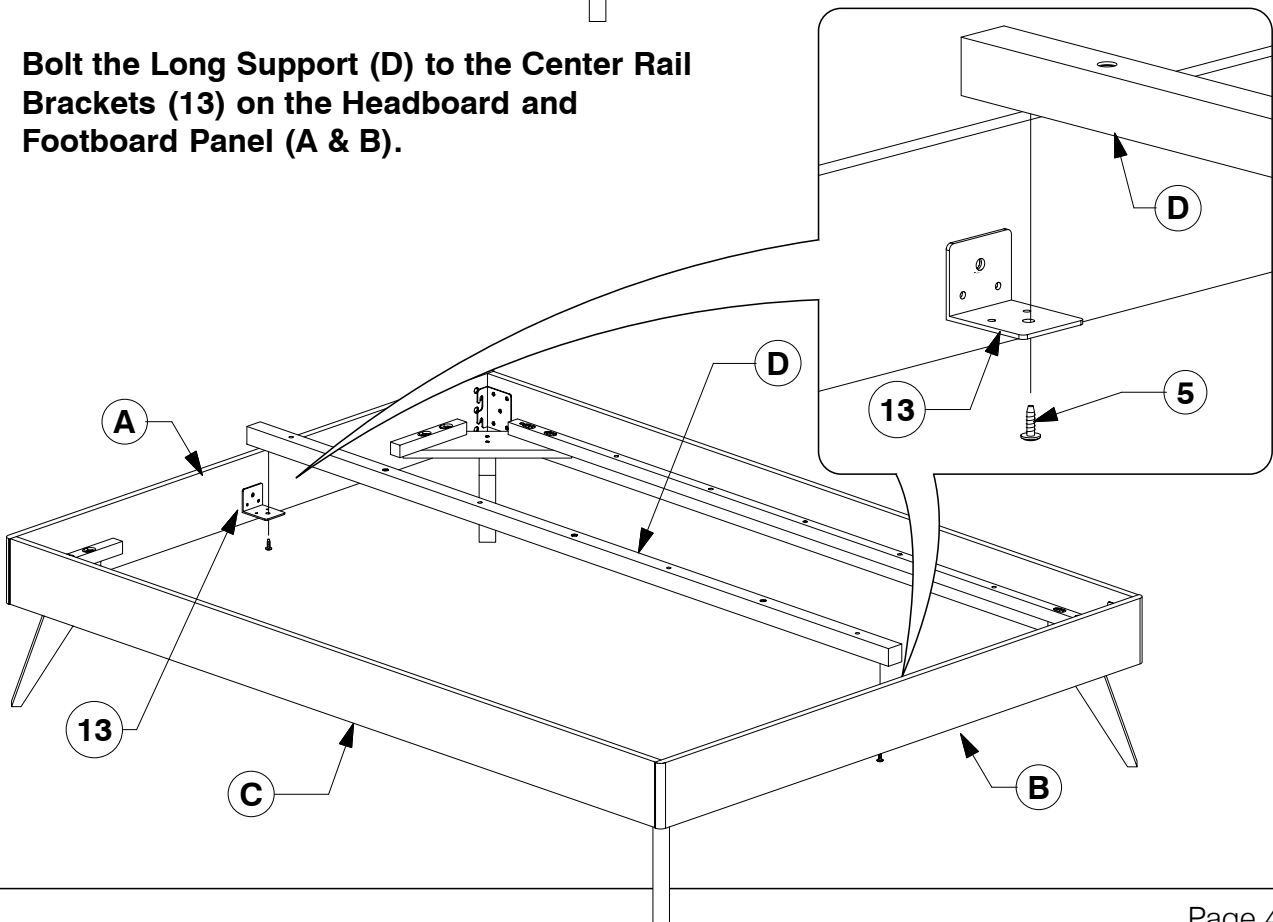
Assembly Instructions

0818

- 10** Bolt the assembled Support Panel (G) to the Headboard and Footboard Panel (A & B).



- 11** Bolt the Long Support (D) to the Center Rail Brackets (13) on the Headboard and Footboard Panel (A & B).

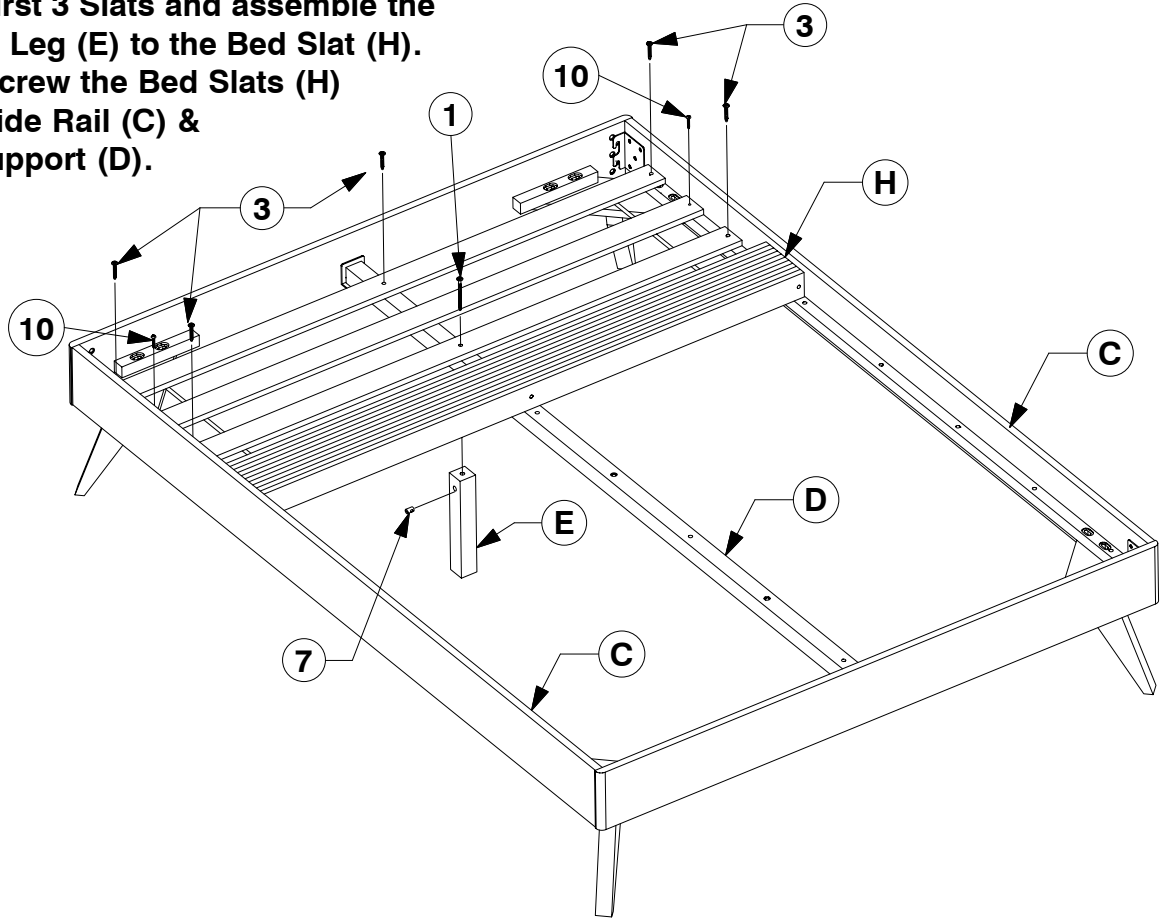


Full Bed

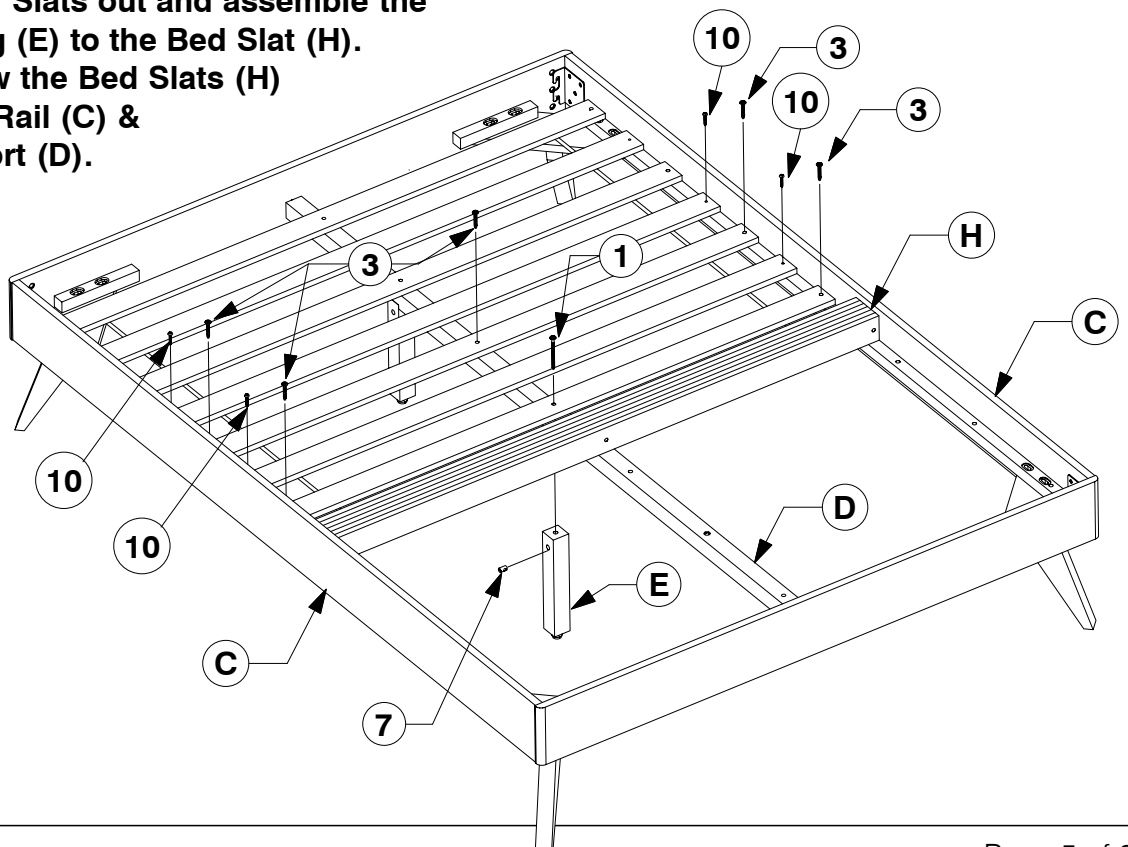
Assembly Instructions

0818

- 12** Fit the first 3 Slats and assemble the Support Leg (E) to the Bed Slat (H). Bolt & screw the Bed Slats (H) to the Side Rail (C) & Long Support (D).



- 13** Fit the other Slats out and assemble the Support Leg (E) to the Bed Slat (H). Bolt & screw the Bed Slats (H) to the Side Rail (C) & Long Support (D).

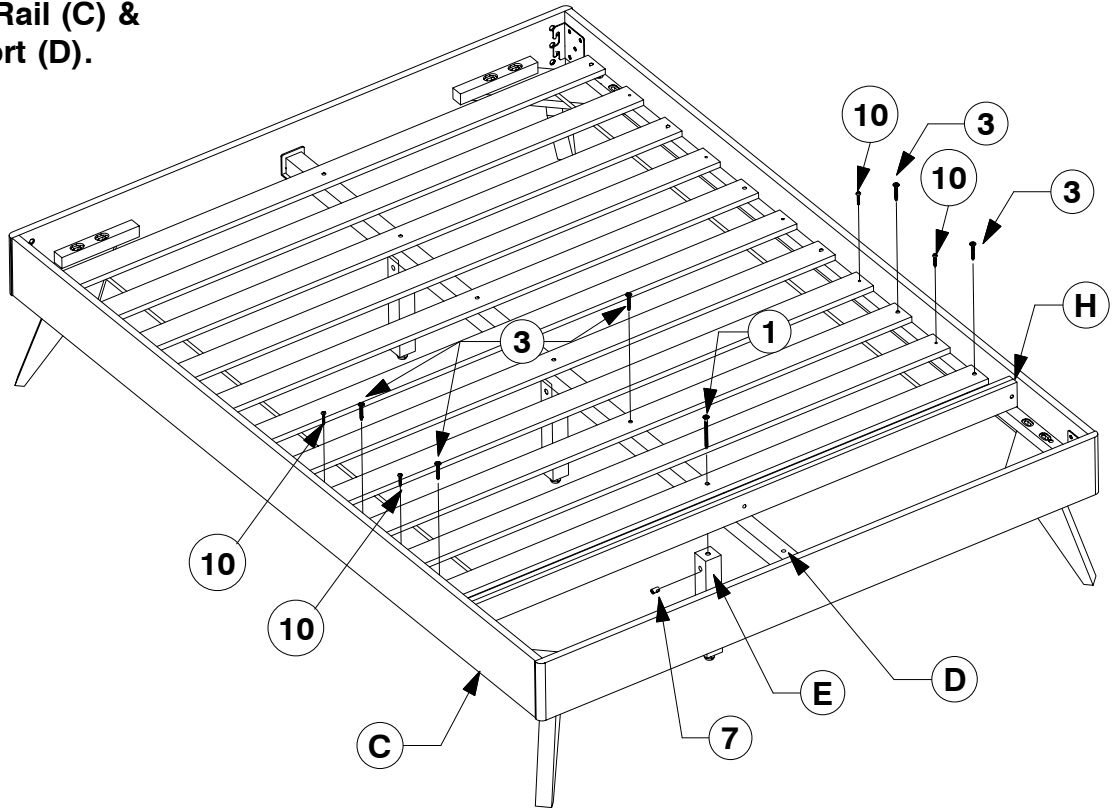


Full Bed

Assembly Instructions

0818

- 14** Fit the other Slats out and assemble the Support Leg (E) to the Bed Slat (H). Bolt & screw the Bed Slats (H) to the Side Rail (C) & Long Support (D).



- 15** Bolt & screw the remaining Bed Slats (H) to the Side Rail (C).

