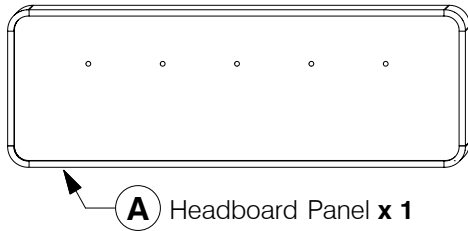


# Full Headboard

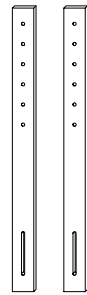
## Assembly Instructions

0818

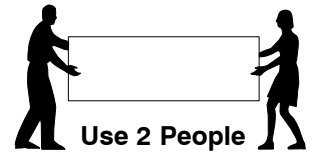
### 1 Parts List



**A** Headboard Panel x 1



**B**  
Support  
Bars x 2



### 2 Hardware List



**1** M6 x 35mm JCB  
x 4



**2** Spring Washer  
x 4



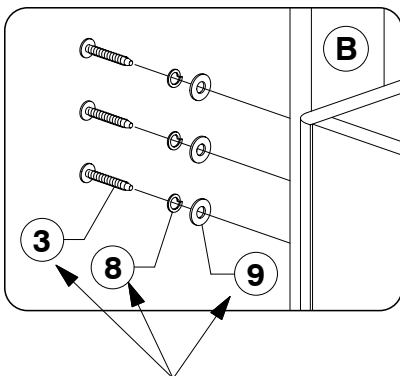
**3** Flat Washer  
x 4



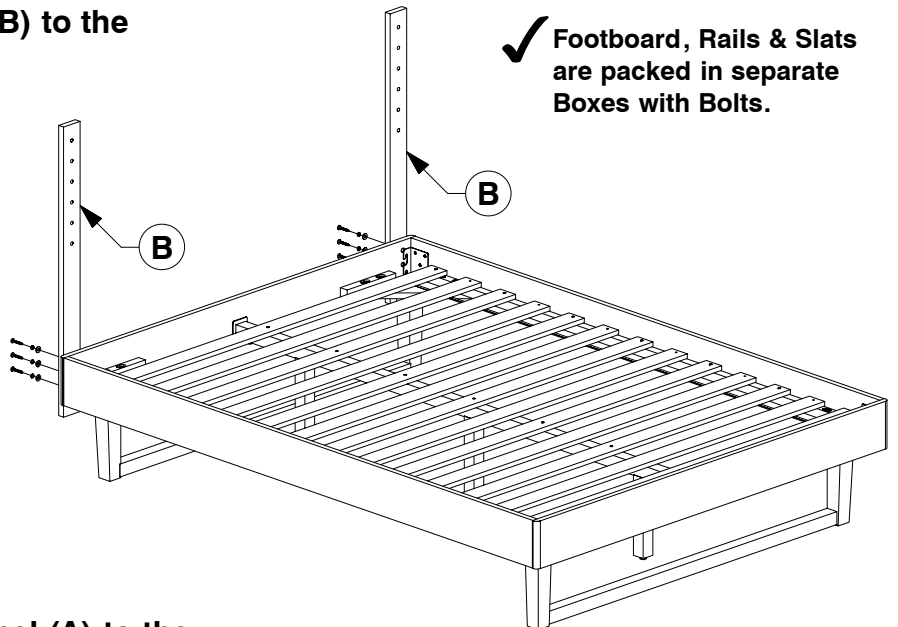
**4** Allen Key  
x 1

**Note:** Do not assemble  
using power tools.  
This can cause the bolts  
to be overtightened

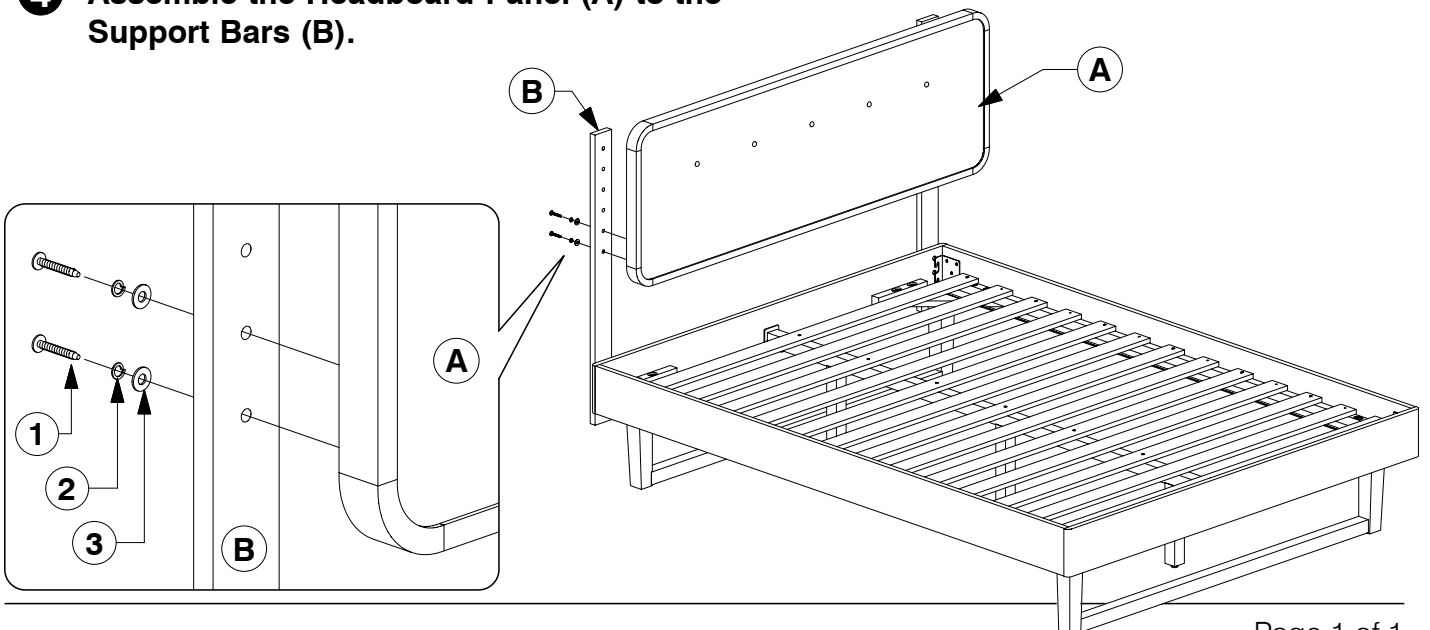
### 3 Assemble the Support Bars (B) to the Headboard Panel.



*Note: Bolts & Washers from  
Footboard, Rails & Slats Box.*



### 4 Assemble the Headboard Panel (A) to the Support Bars (B).

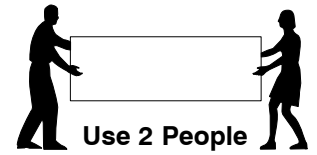
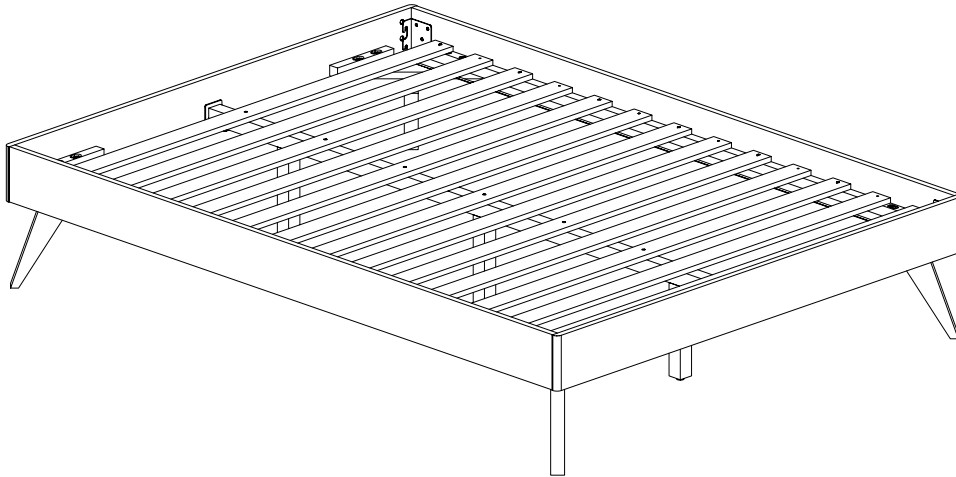


# Full Bed

## Assembly Instructions

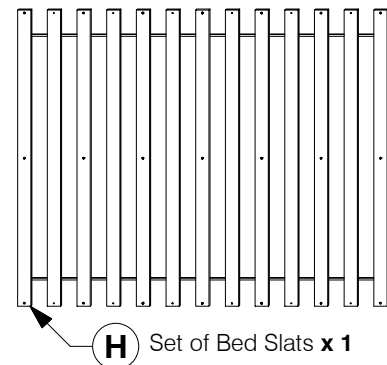
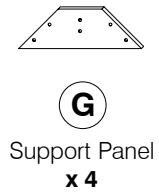
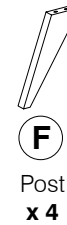
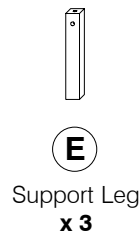
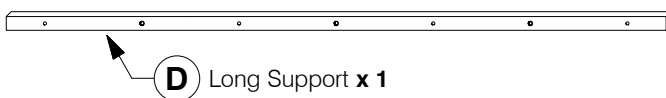
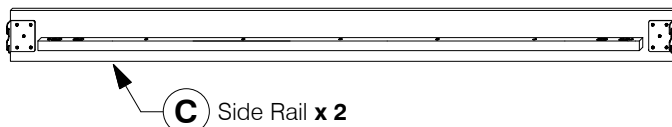
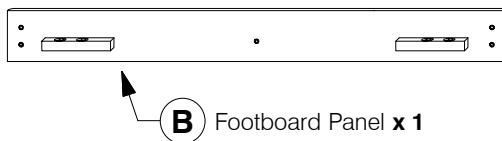
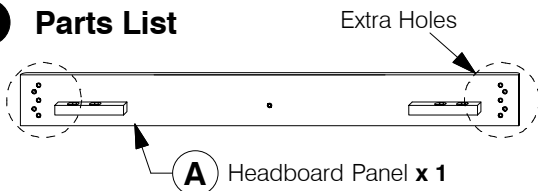
0818

### 1 Assembled View

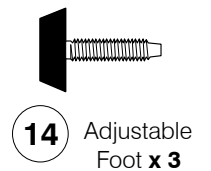
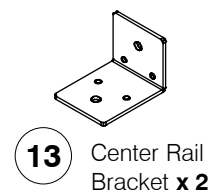
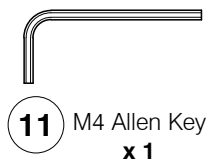
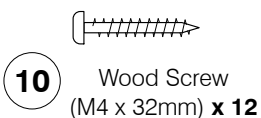
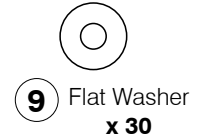
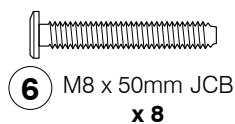
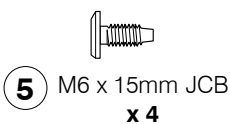
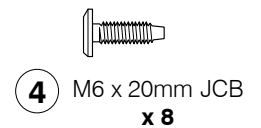
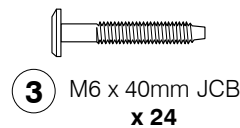
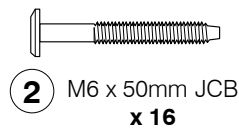
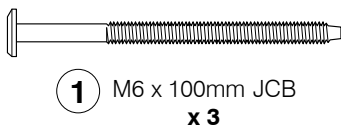


**Note:** Do not assemble using power tools. This can cause the bolts to be overtightened

### 2 Parts List



### 3 Hardware List

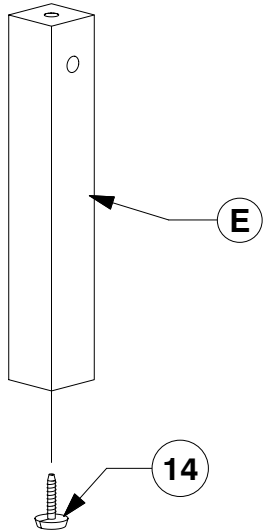


# Full Bed

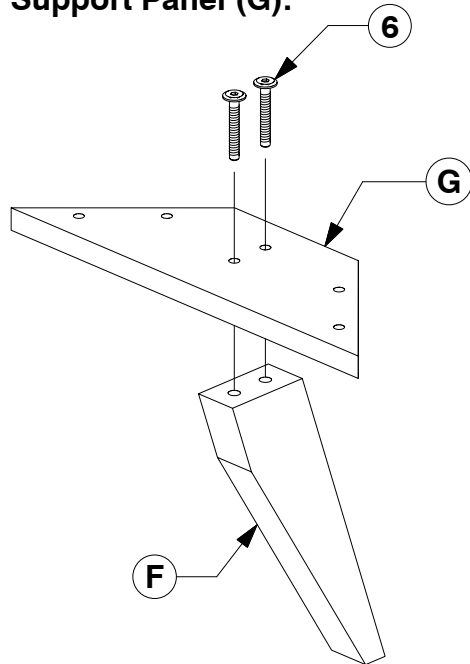
## Assembly Instructions

0818

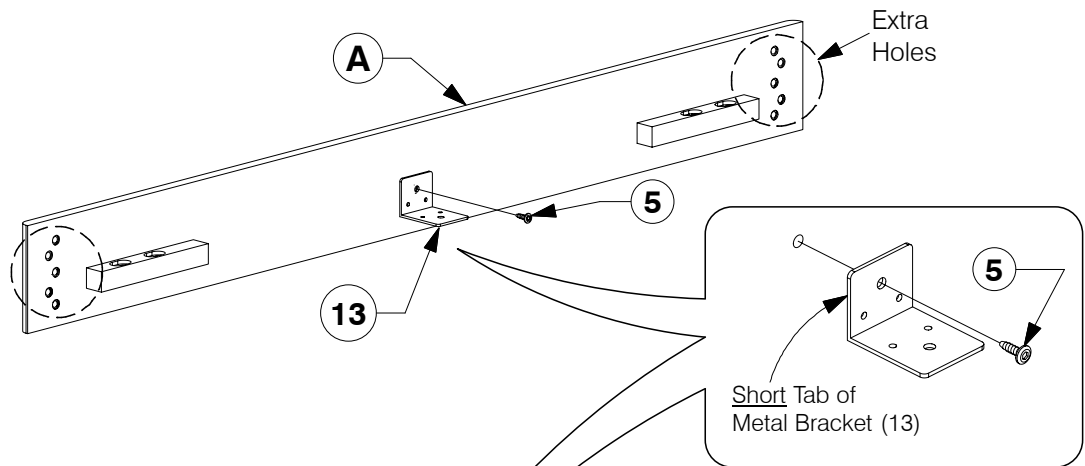
- 4** Fix the Adjustable foot to the bottom of the Support Leg (E).



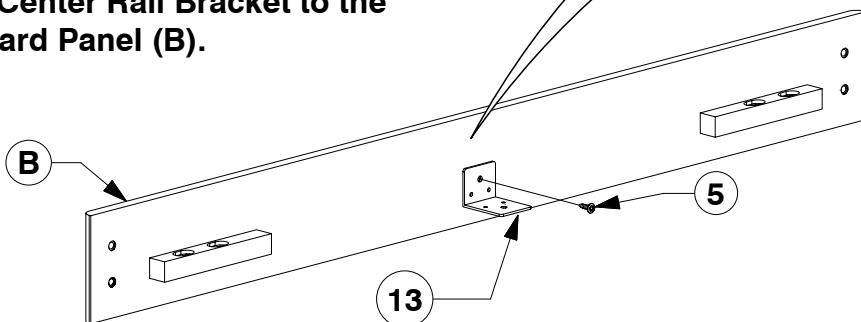
- 5** Fit the Post (F) to the Support Panel (G).



- 6** Fit the Center Rail Bracket to the Headboard Panel (A).



- 7** Fit the Center Rail Bracket to the Footboard Panel (B).

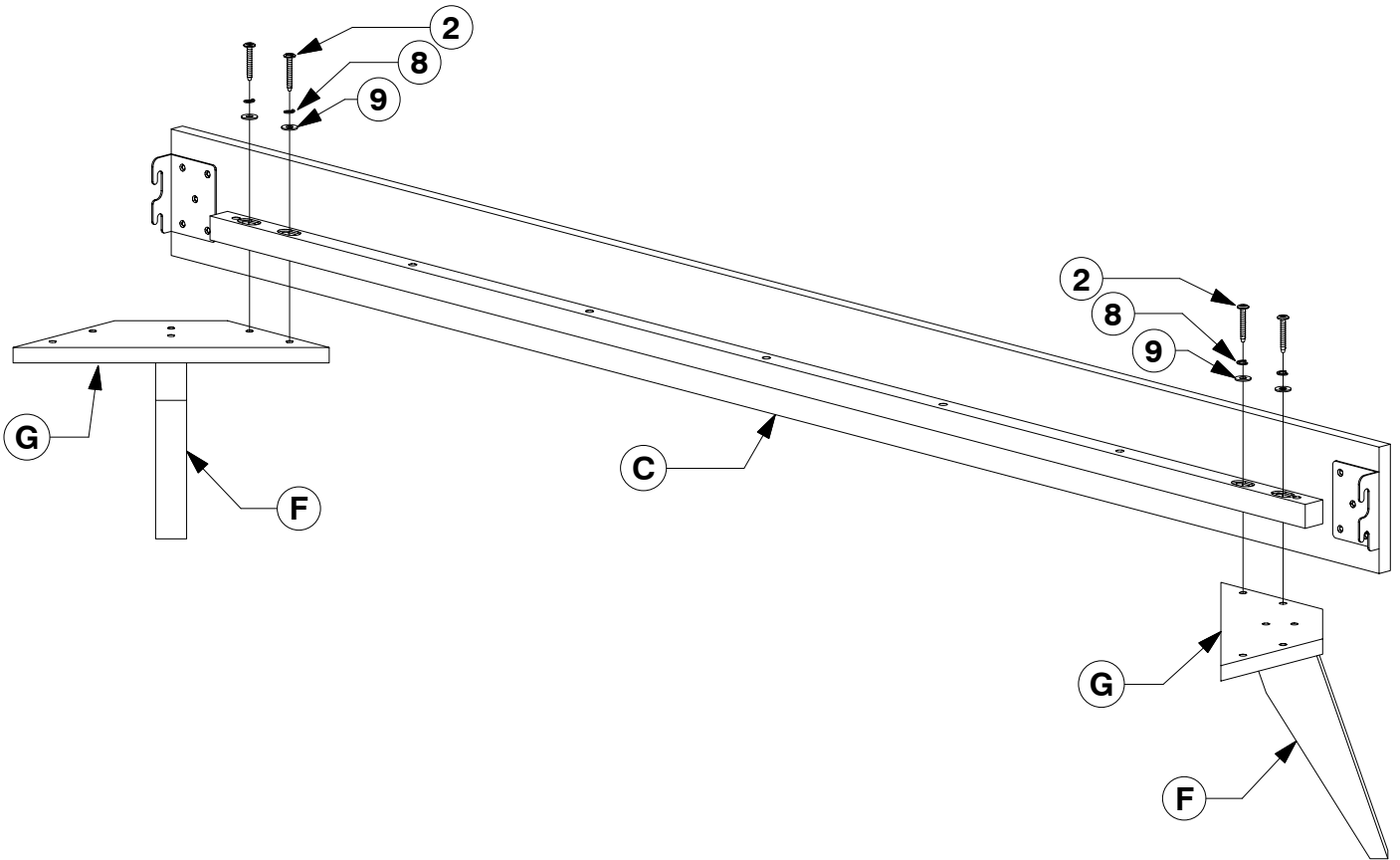


# Full Bed

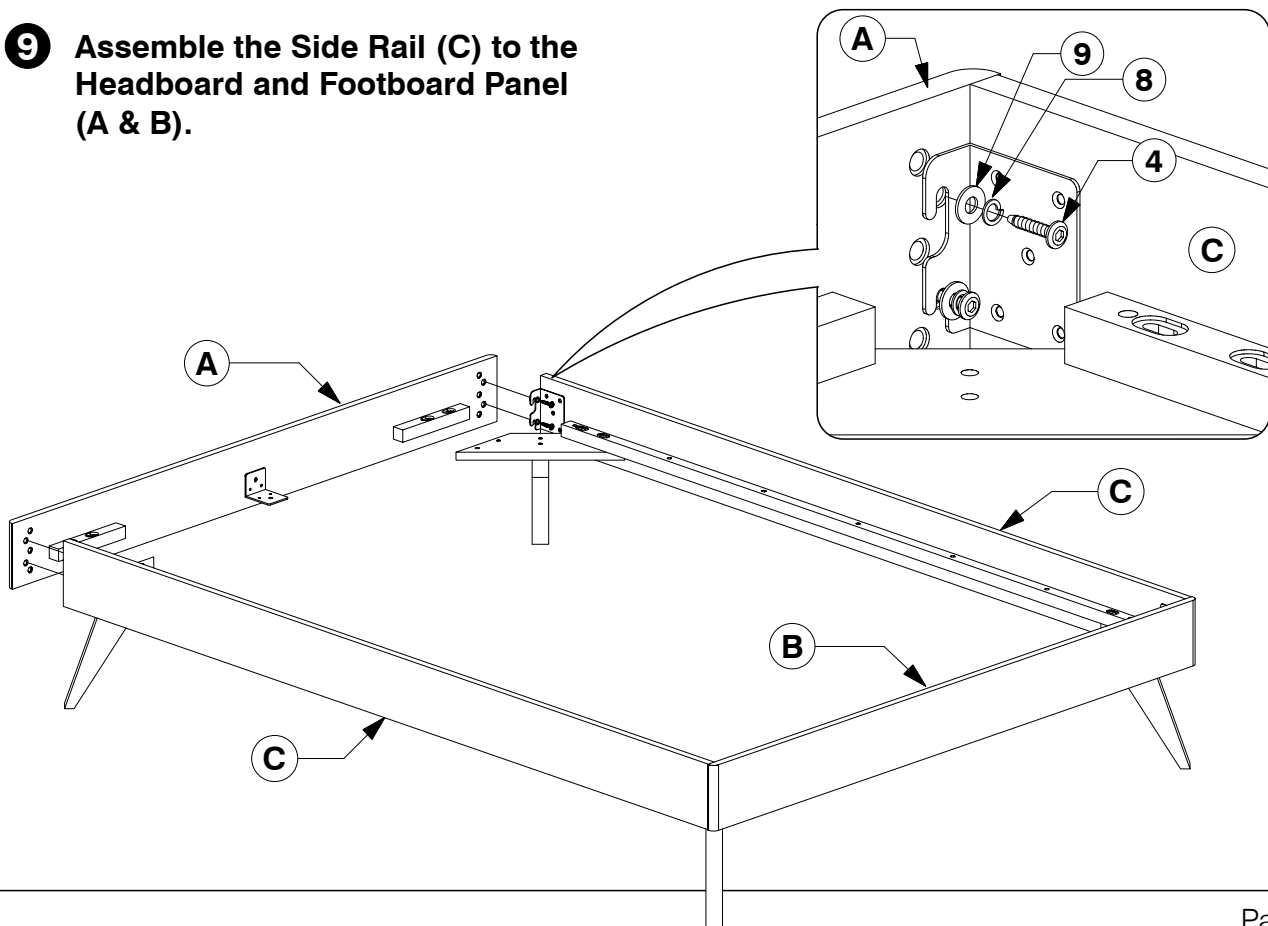
Assembly Instructions

0818

**8** Bolt the assembled Support Panel (G) to the Side Rail (C).



**9** Assemble the Side Rail (C) to the Headboard and Footboard Panel (A & B).

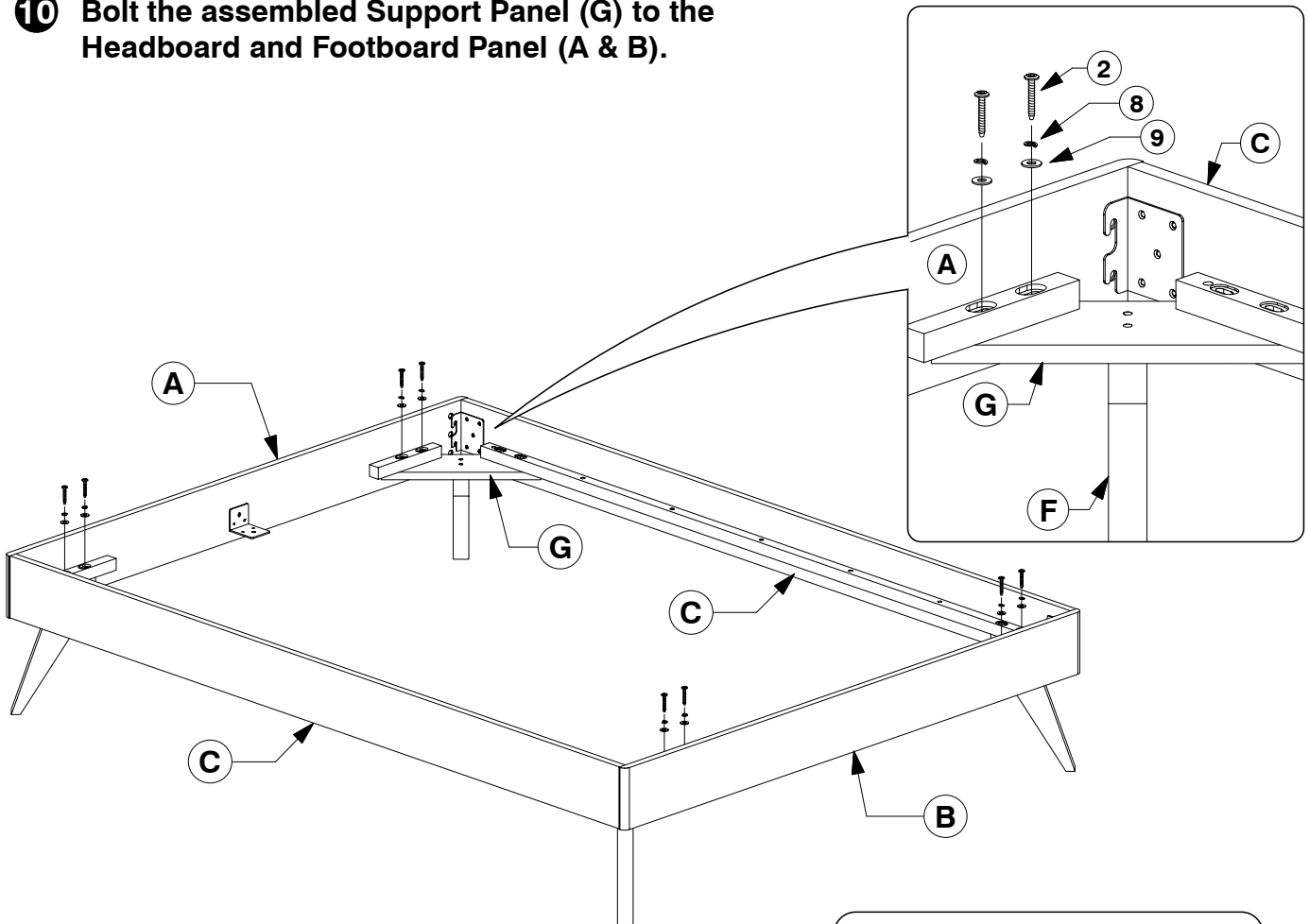


# Full Bed

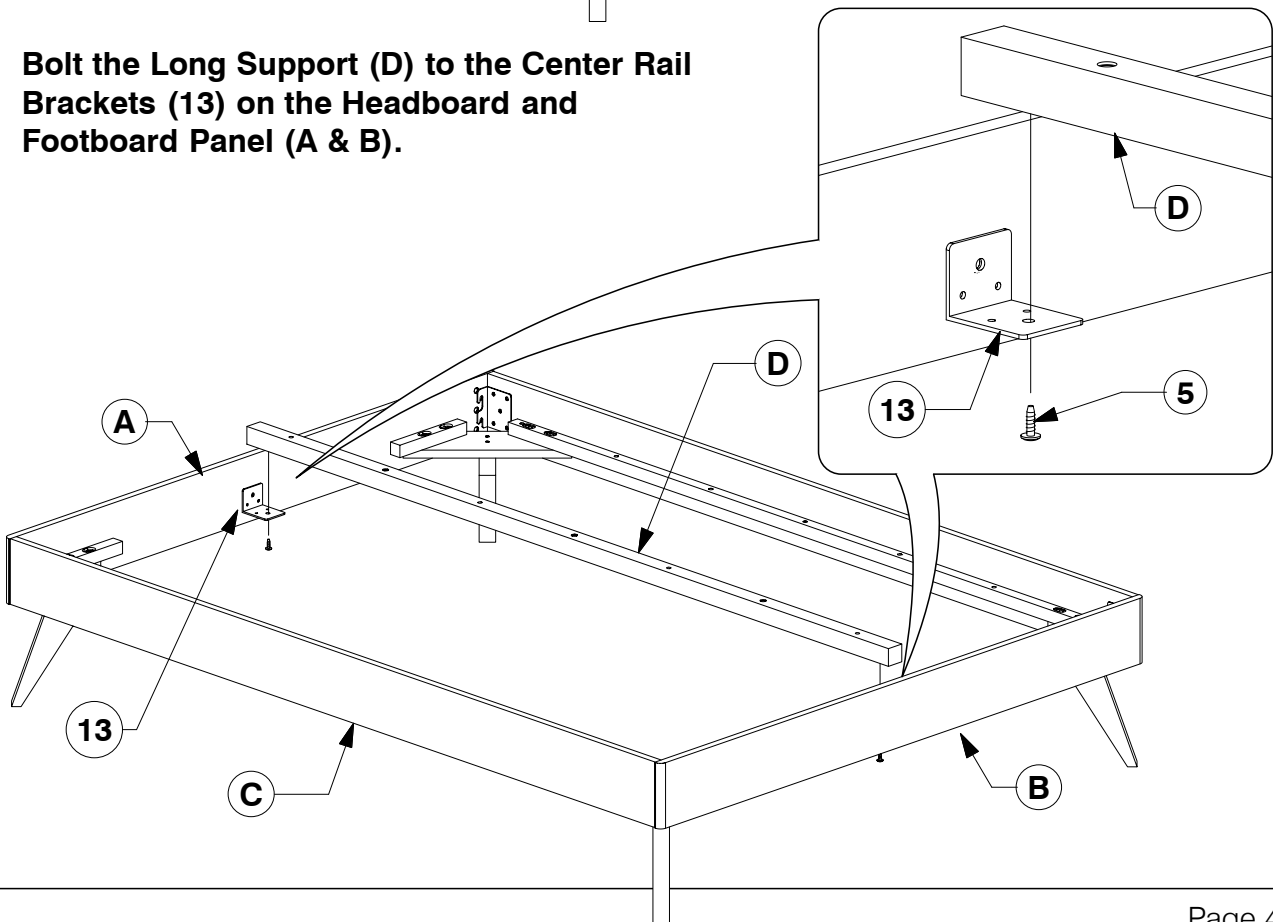
## Assembly Instructions

0818

- 10** Bolt the assembled Support Panel (G) to the Headboard and Footboard Panel (A & B).



- 11** Bolt the Long Support (D) to the Center Rail Brackets (13) on the Headboard and Footboard Panel (A & B).

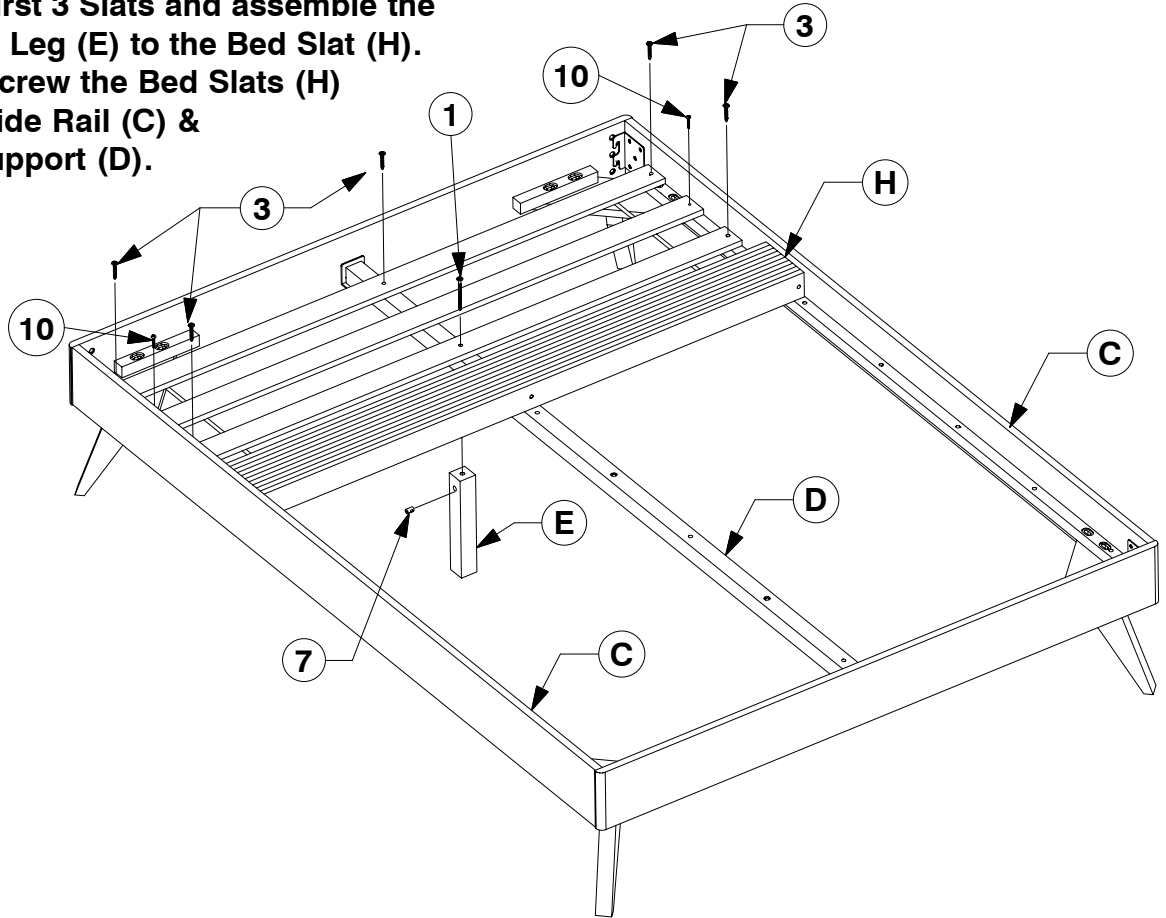


# Full Bed

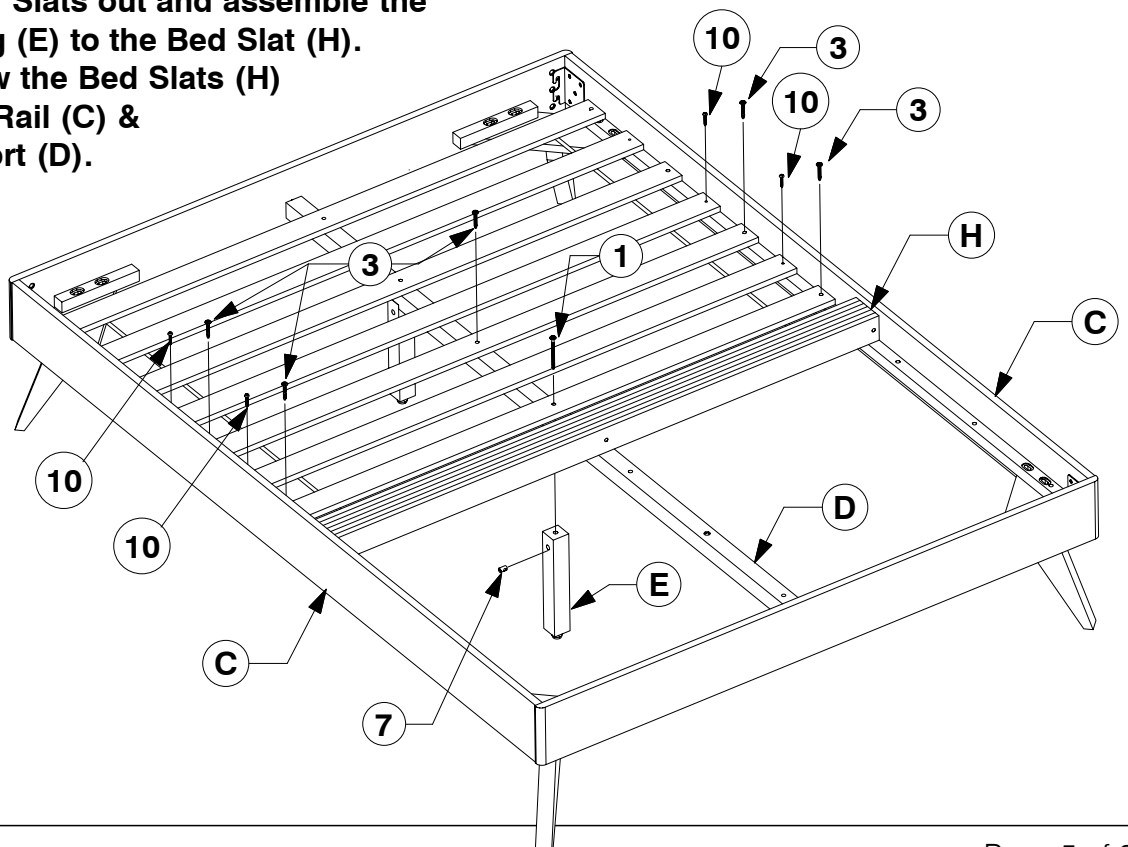
## Assembly Instructions

0818

- 12** Fit the first 3 Slats and assemble the Support Leg (E) to the Bed Slat (H). Bolt & screw the Bed Slats (H) to the Side Rail (C) & Long Support (D).



- 13** Fit the other Slats out and assemble the Support Leg (E) to the Bed Slat (H). Bolt & screw the Bed Slats (H) to the Side Rail (C) & Long Support (D).

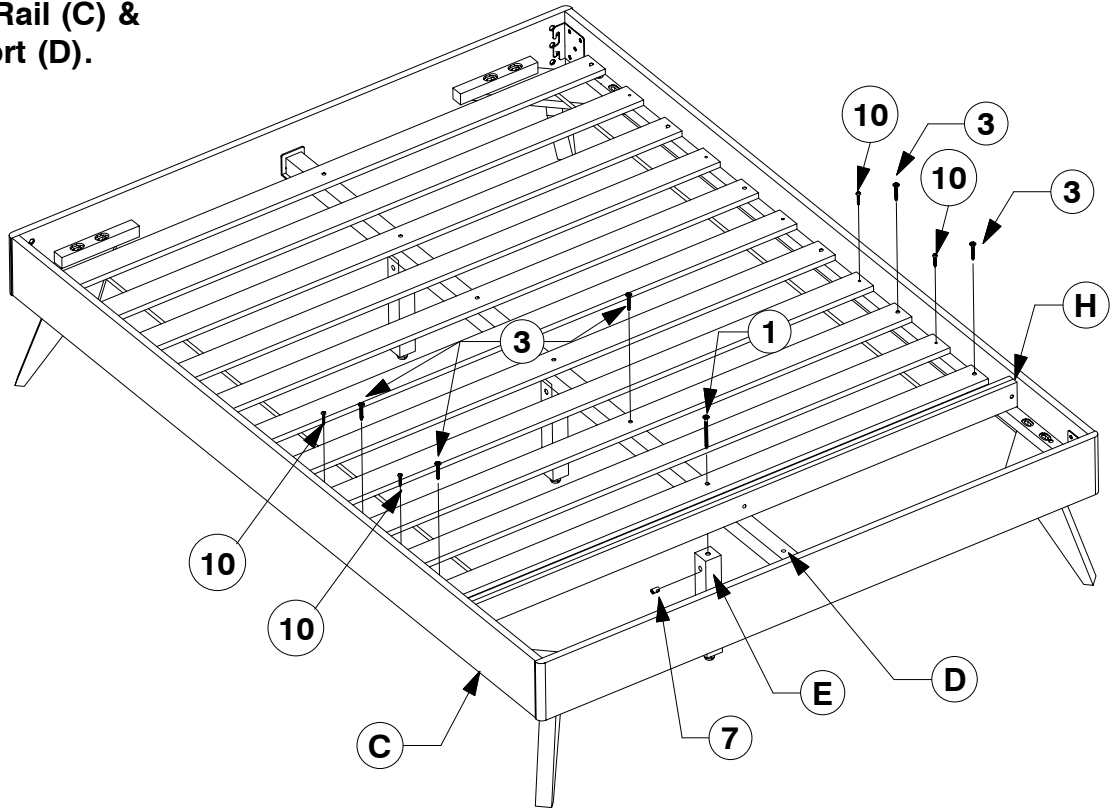


# Full Bed

## Assembly Instructions

0818

- 14** Fit the other Slats out and assemble the Support Leg (E) to the Bed Slat (H). Bolt & screw the Bed Slats (H) to the Side Rail (C) & Long Support (D).



- 15** Bolt & screw the remaining Bed Slats (H) to the Side Rail (C).

