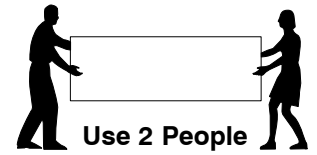
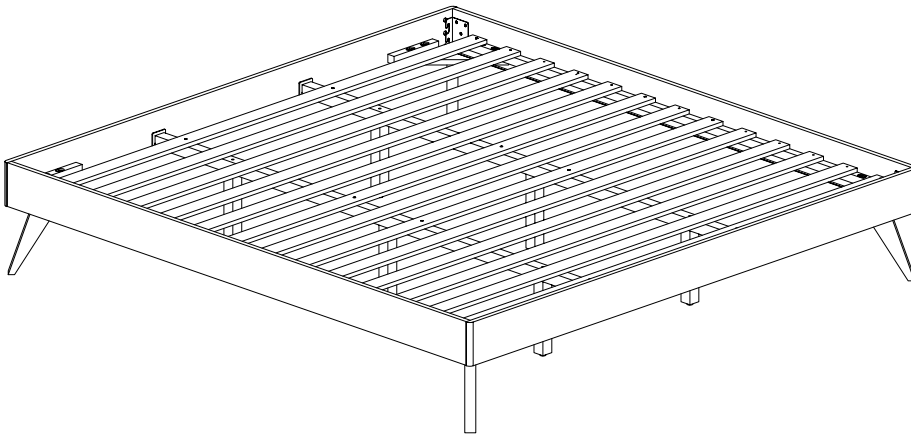


# King Bed

## Assembly Instructions

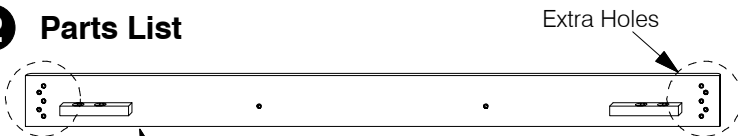
0818

### 1 Assembled View



**Note:** Do not assemble using power tools. This can cause the bolts to be overtightened

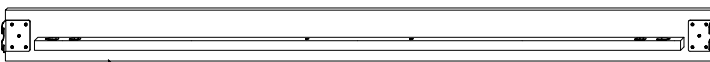
### 2 Parts List



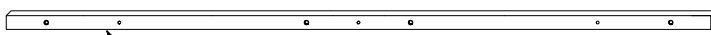
**A** Headboard Panel x 1



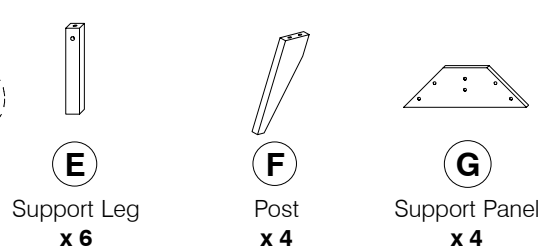
**B** Footboard Panel x 1



**C** Side Rail x 2



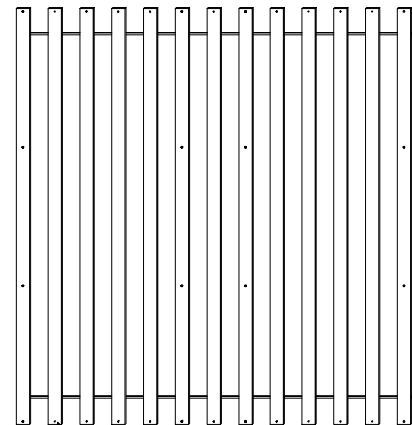
**D** Long Support x 2



**E** Support Leg x 6

**F** Post x 4

**G** Support Panel x 4

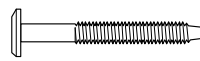


**H** Set of Bed Slats x 1

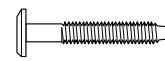
### 3 Hardware List



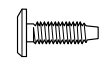
**1** M6 x 90mm JCB x 6



**2** M6 x 50mm JCB x 16



**3** M6 x 40mm JCB x 22



**4** M6 x 20mm JCB x 8



**5** M6 x 15mm JCB x 8



**6** M8 x 50mm JCB x 8



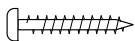
**7** Barrel Nut x 6



**8** Spring Washer x 30



**9** Flat Washer x 30



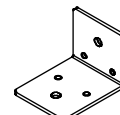
**10** Wood Screw (M4 x 32mm) x 18



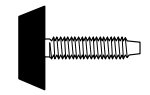
**11** M4 Allen Key x 1



**12** M5 Allen Key x 1



**13** Center Rail Bracket x 4



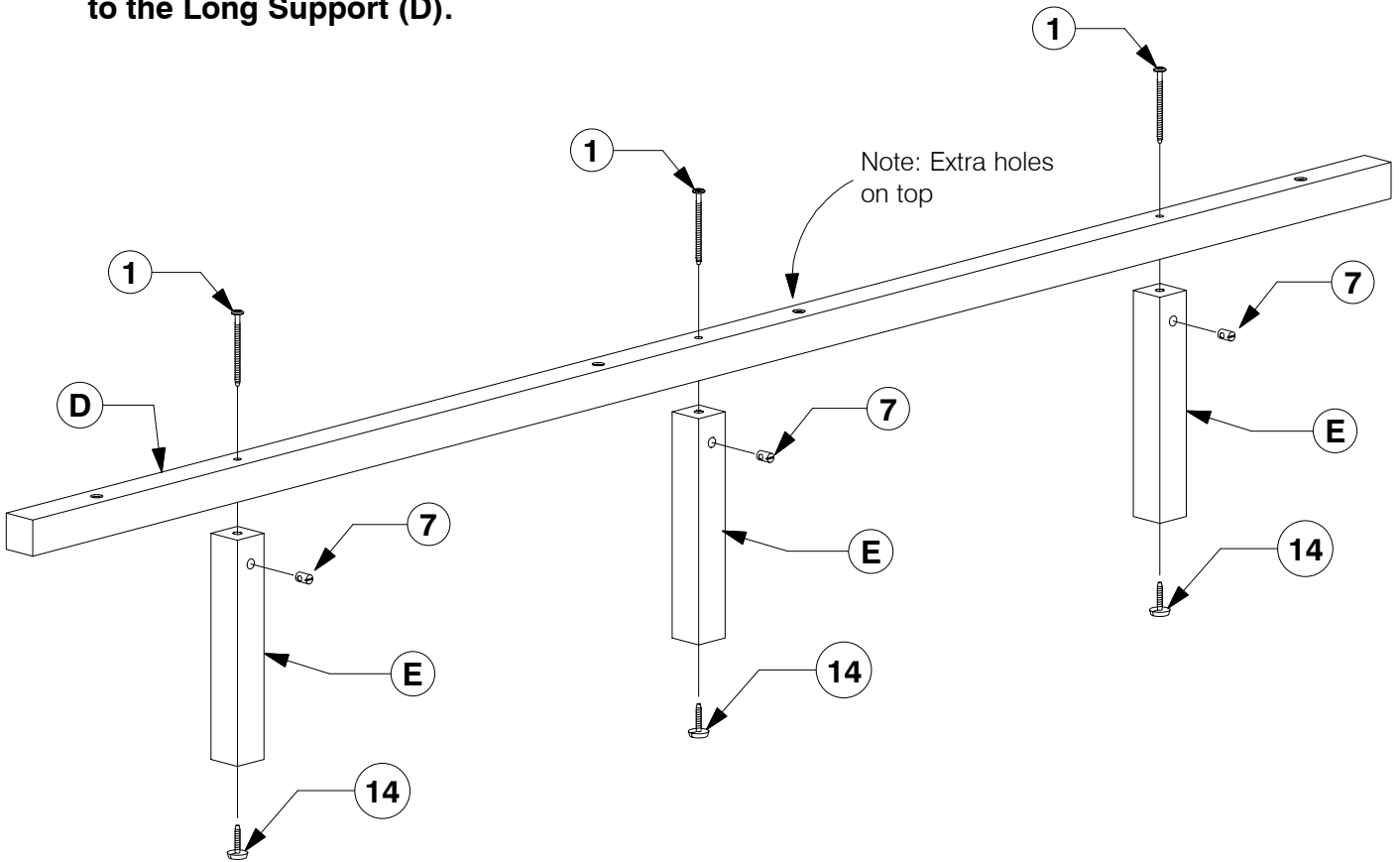
**14** Adjustable Foot x 6

# King Bed

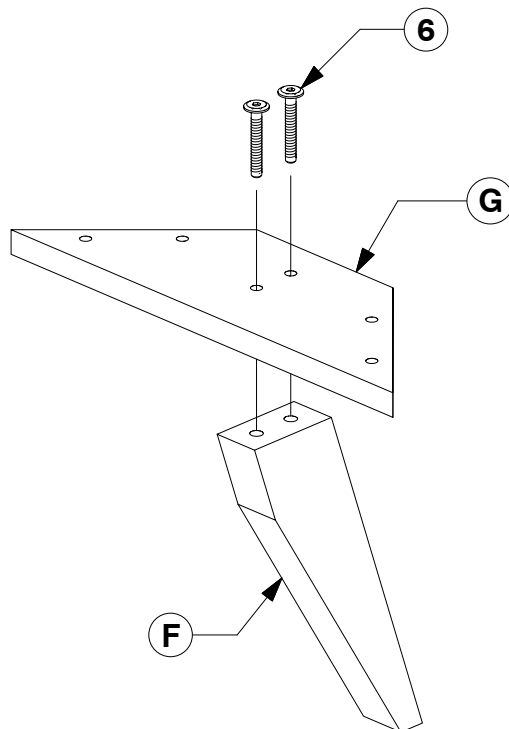
Assembly Instructions

0818

## 4 Assembled the Support Leg (E) to the Long Support (D).



## 5 Fit the Post (F) to the Support Panel (G).

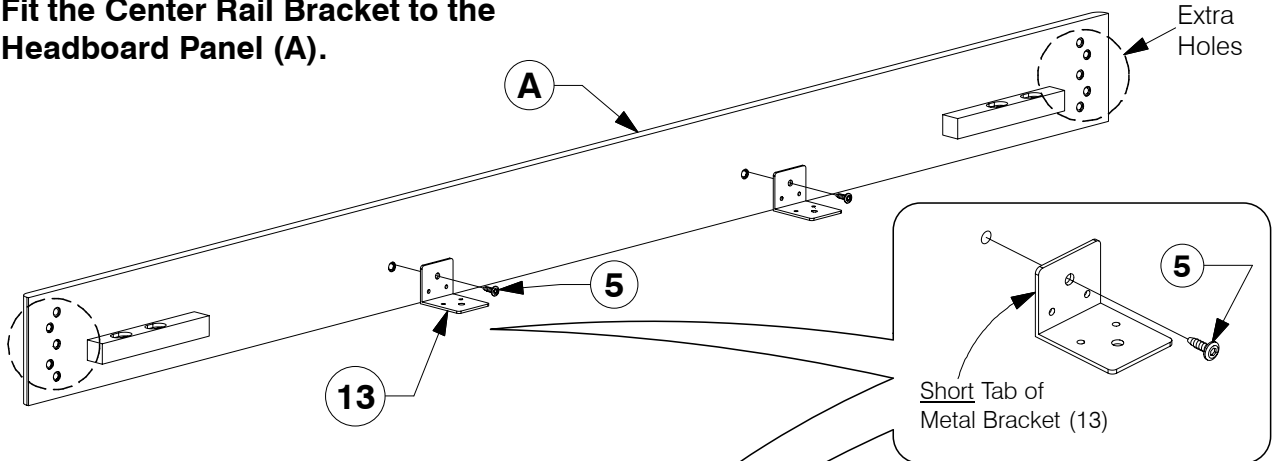


# King Bed

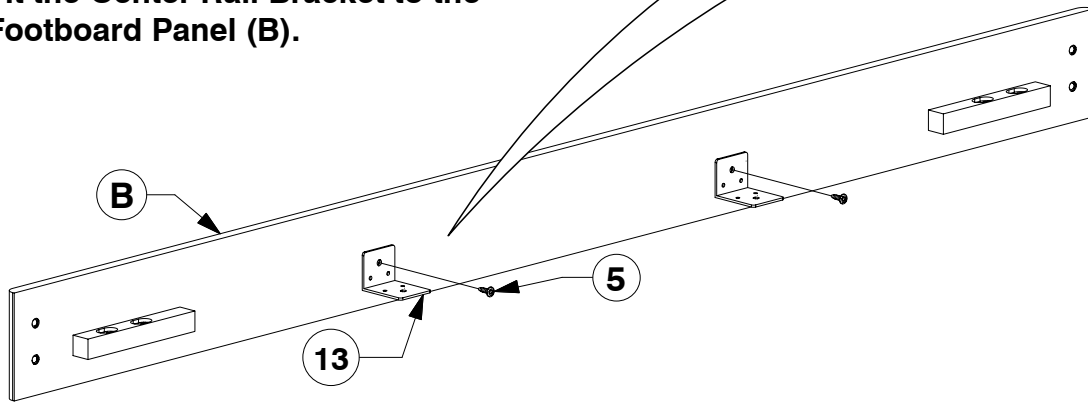
Assembly Instructions

0818

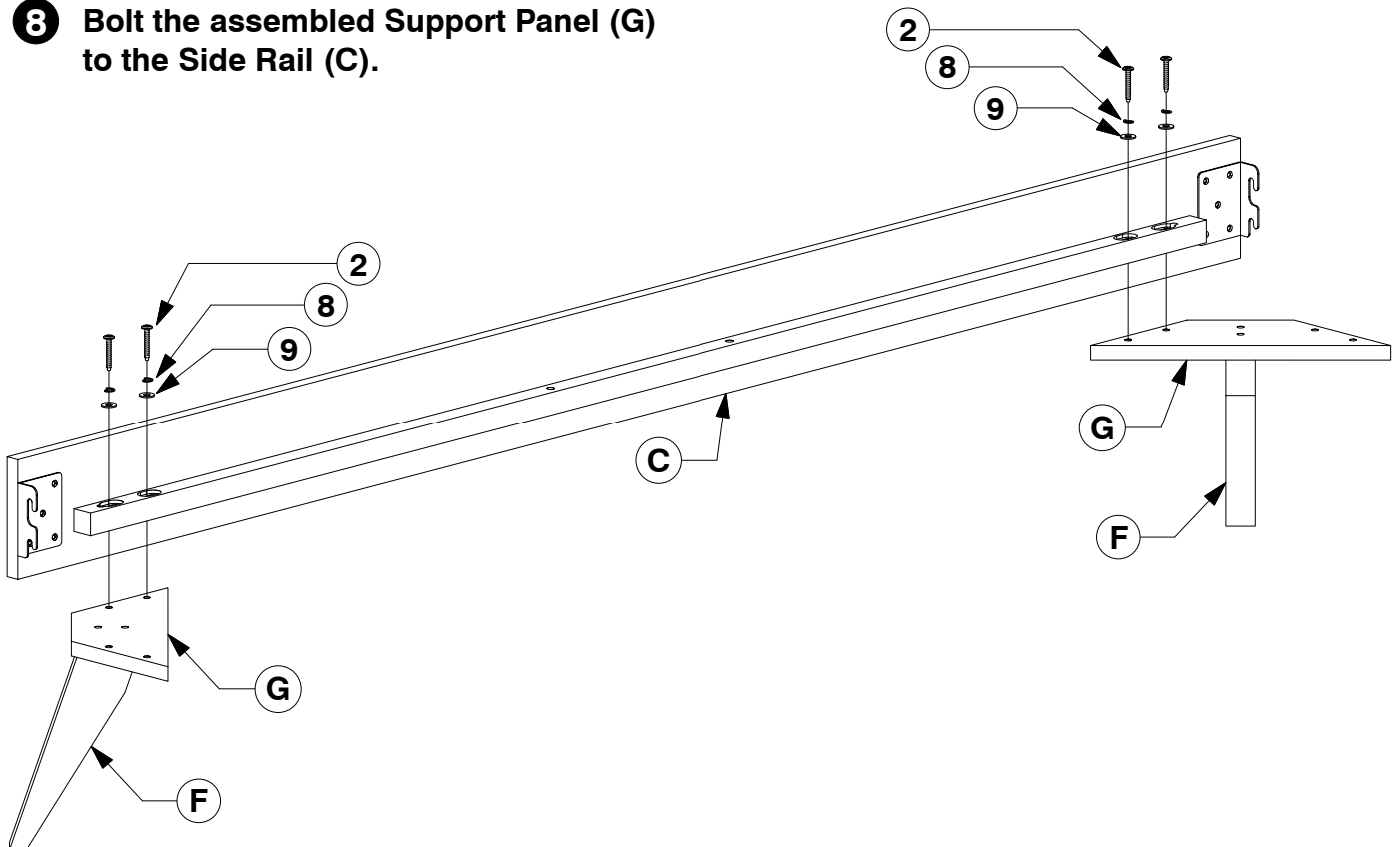
- 6** Fit the Center Rail Bracket to the Headboard Panel (A).



- 7** Fit the Center Rail Bracket to the Footboard Panel (B).



- 8** Bolt the assembled Support Panel (G) to the Side Rail (C).

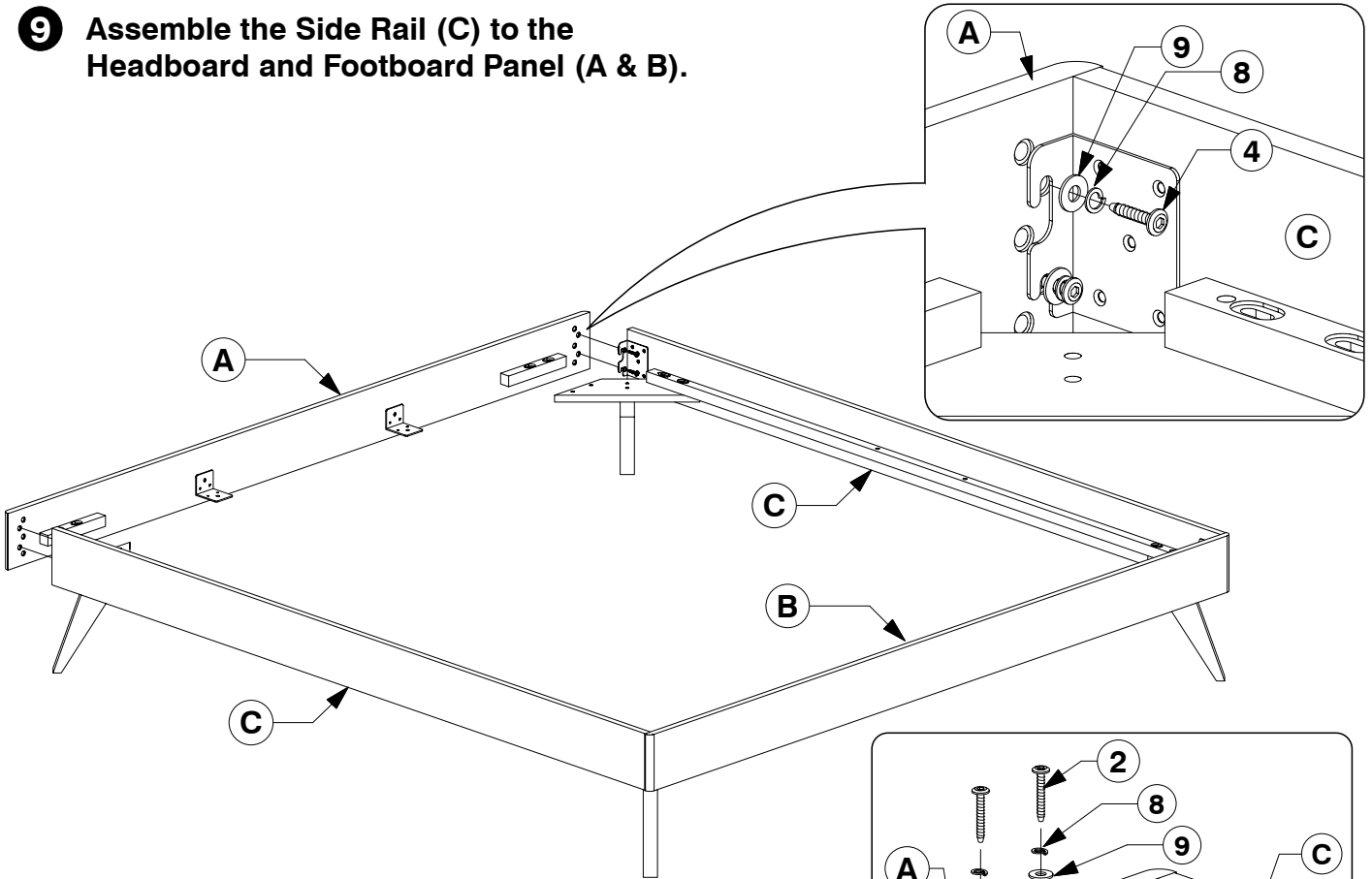


# King Bed

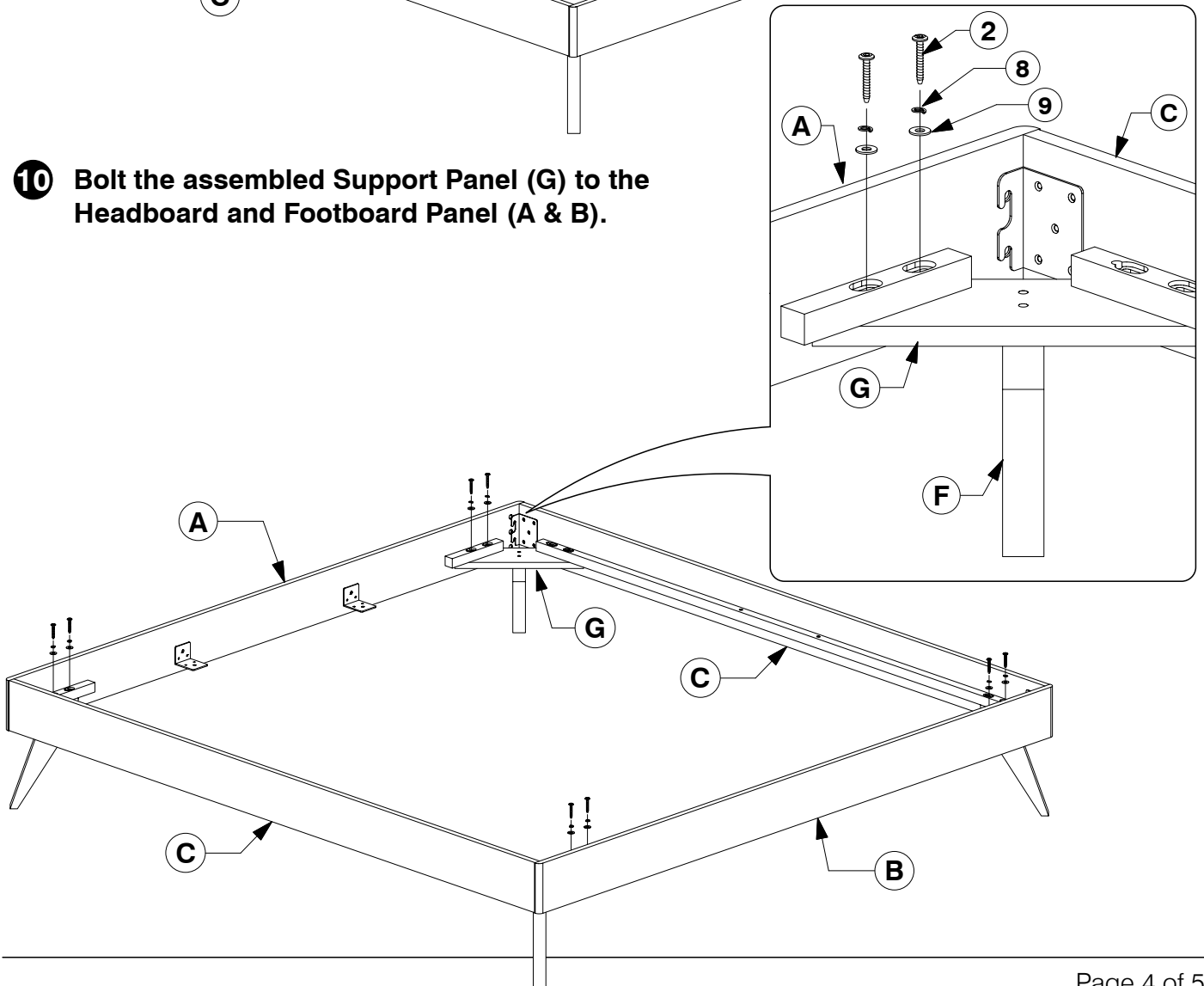
Assembly Instructions

0818

- 9** Assemble the Side Rail (C) to the Headboard and Footboard Panel (A & B).



- 10** Bolt the assembled Support Panel (G) to the Headboard and Footboard Panel (A & B).

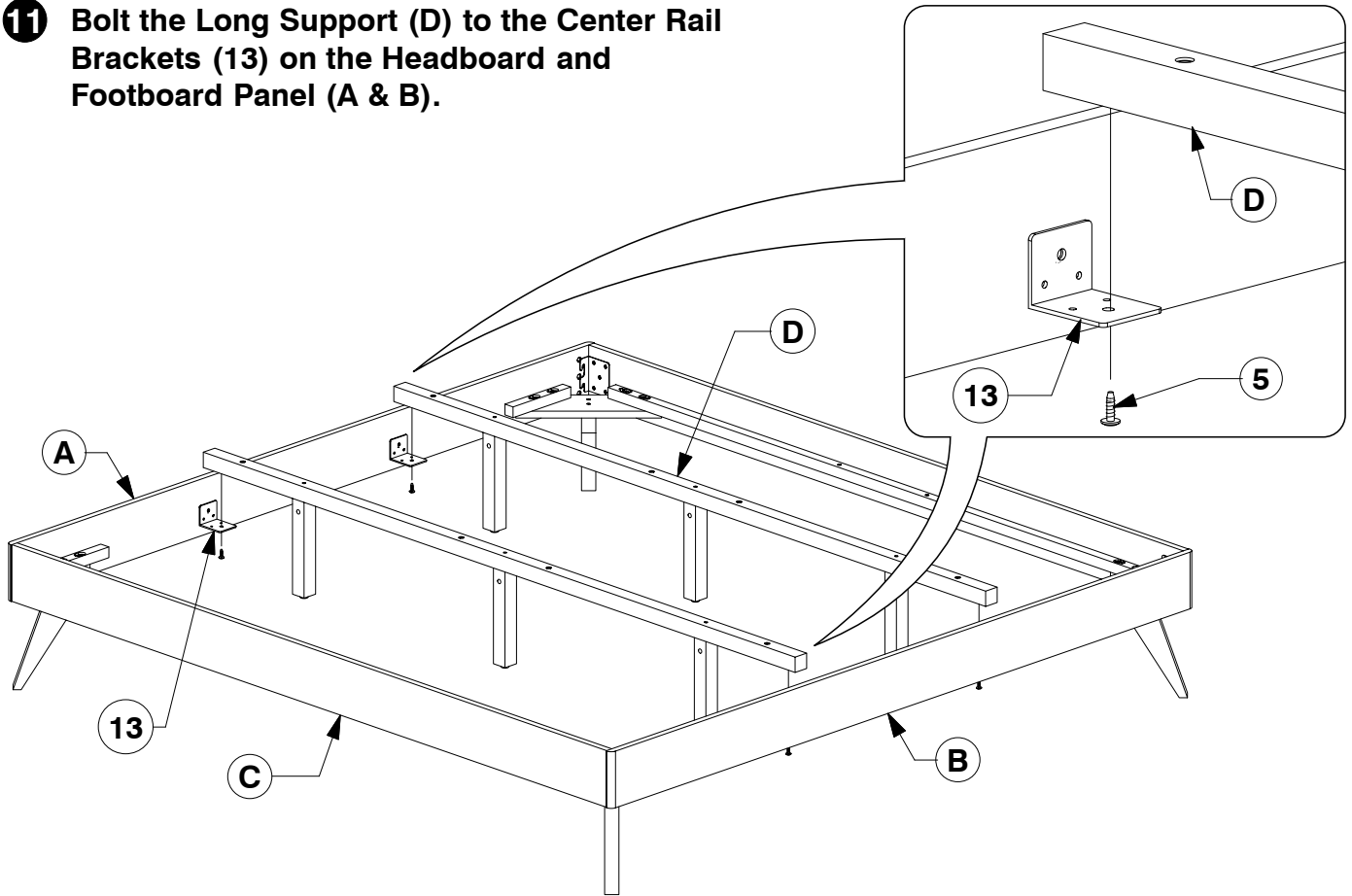


# King Bed

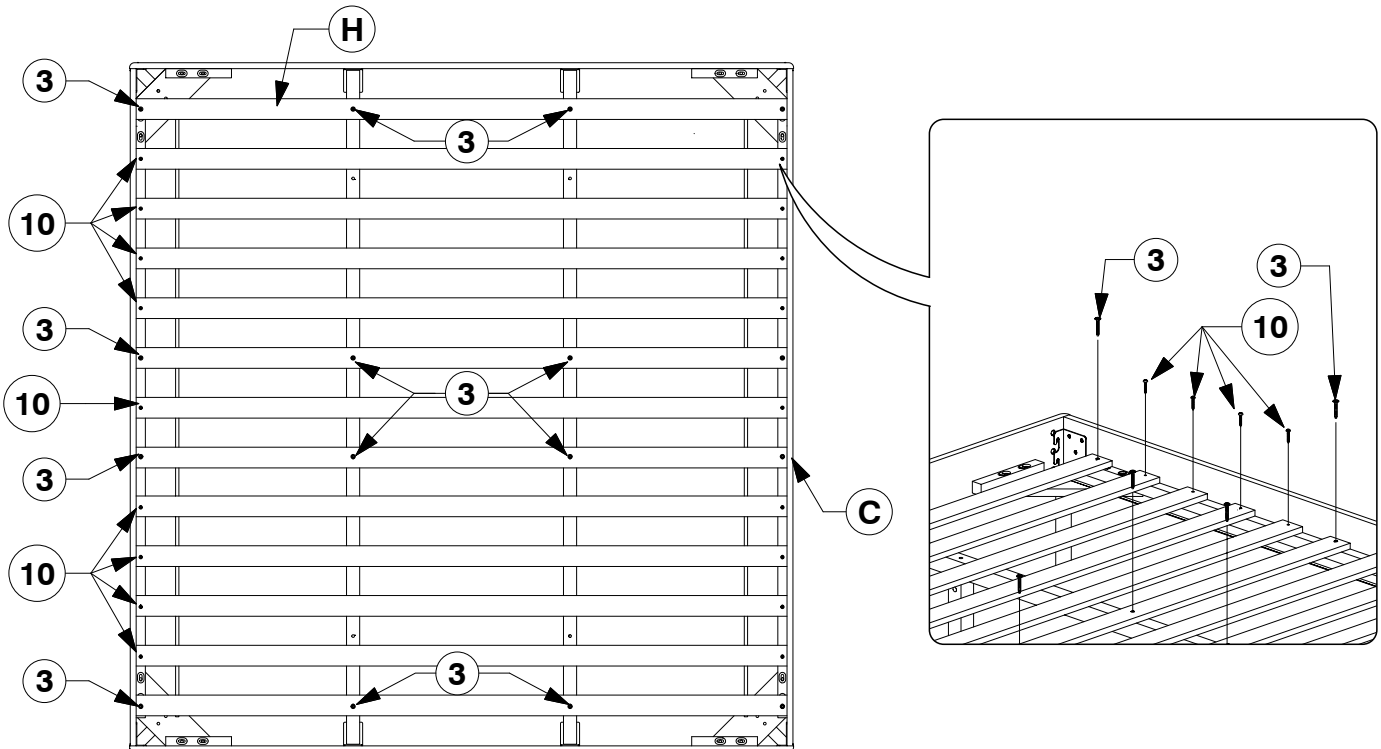
Assembly Instructions

0818

- 11** Bolt the Long Support (D) to the Center Rail Brackets (13) on the Headboard and Footboard Panel (A & B).



- 12** Bolt & screw the Bed Slats (H) to the Side Rail (C).

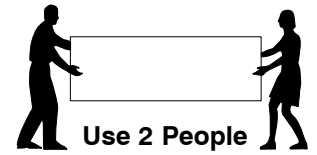
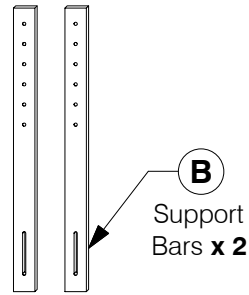
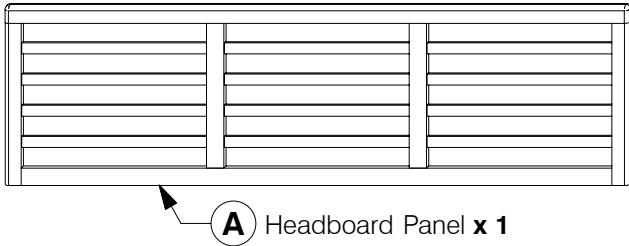


# King Headboard

## Assembly Instructions

0818

### 1 Parts List



### 2 Hardware List



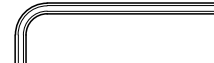
1 M6 x 35mm JCB  
x 4



2 Spring Washer  
x 4



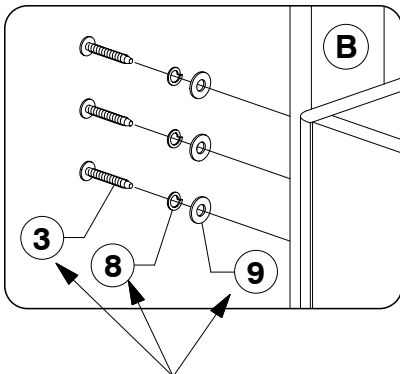
3 Flat Washer  
x 4



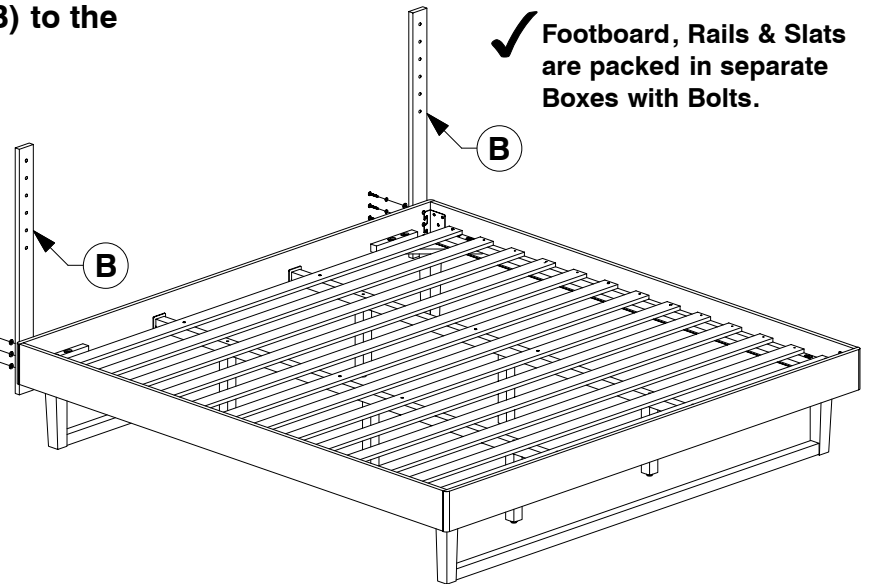
4 Allen Key  
x 1

**Note:** Do not assemble using power tools. This can cause the bolts to be overtightened

### 3 Assemble the Support Bars (B) to the Headboard Panel.



Note: Bolts & Washers from Footboard, Rails & Slats Box.



### 4 Assemble the Headboard Panel (A) to the Support Bars (B).

