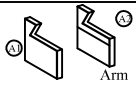
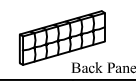
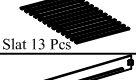

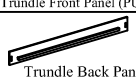



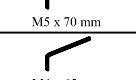
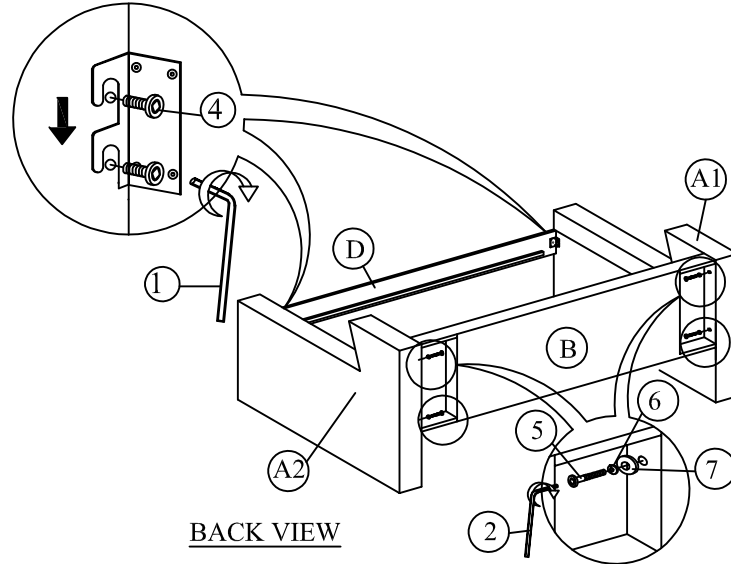


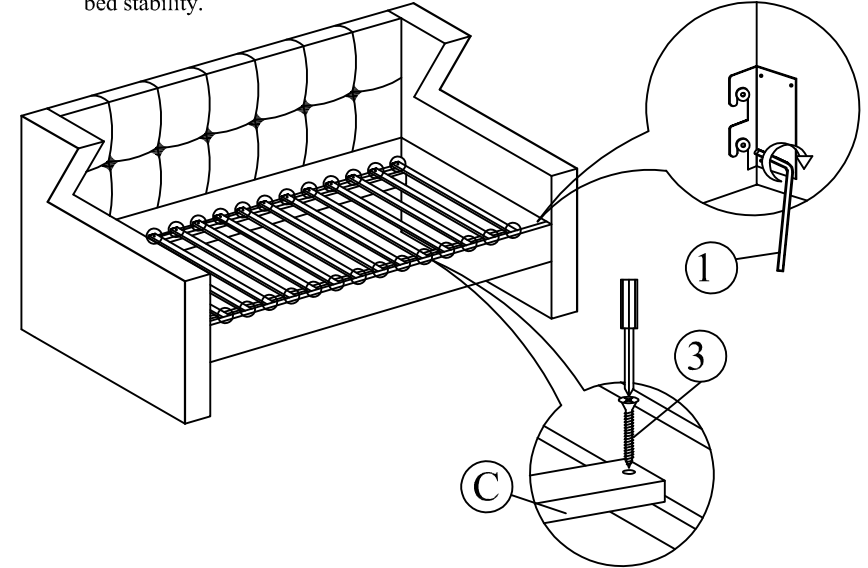
ASSEMBLY INSTRUCTION

A		1 pc
B		1 pc
C		1 pc
D		1 pc
E		1 pc
F		1 pc
G		2 pcs
H		1 pc
I		4 pcs

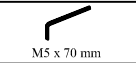
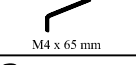
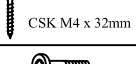




Step 1: Attach back panel (B) and side rail (D) to arm (A) by pushing the bracket down to fit it.



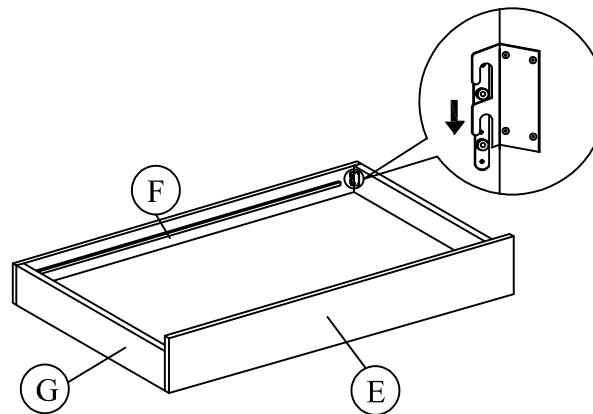
Step 2: Tighten the 4 Corner with Allen Key (1). Install the slats to side rail. Tighten the slats with CSK screw (3). The distance of the slats should be sufficient to obtain desirable bed stability.



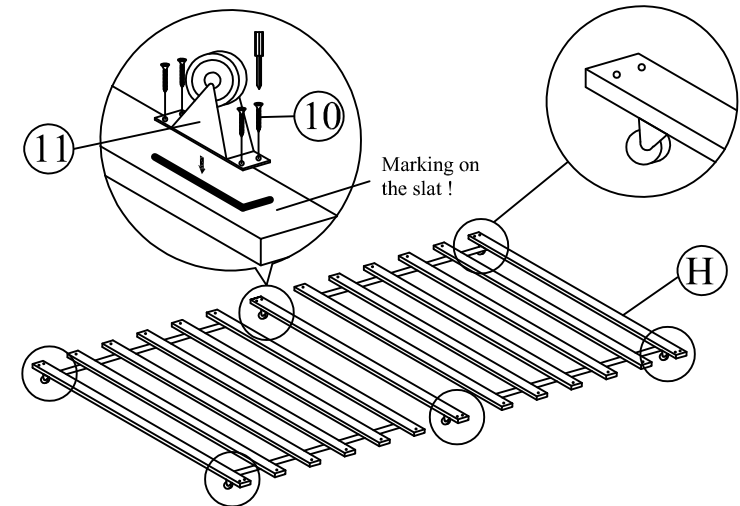
Packing Hardware (1)

1		1 pc
	M5 x 70 mm	
2		1 pc
	M4 x 65 mm	
3		32 pcs
	CSK M4 x 32mm	
4		4 pcs
	JCBB M8 X 20	
5		4 pcs
	JCBC M6 X 50	
6		4 pcs
	SPRING WASHER	
7		4 pcs
	FLAT WASHER	

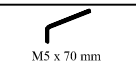
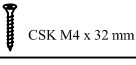
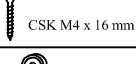

Step 3: Attach trundle side panel (G) and trundle front panel (E) to trundle back panel (F) by pushing the bracket down to fit it.



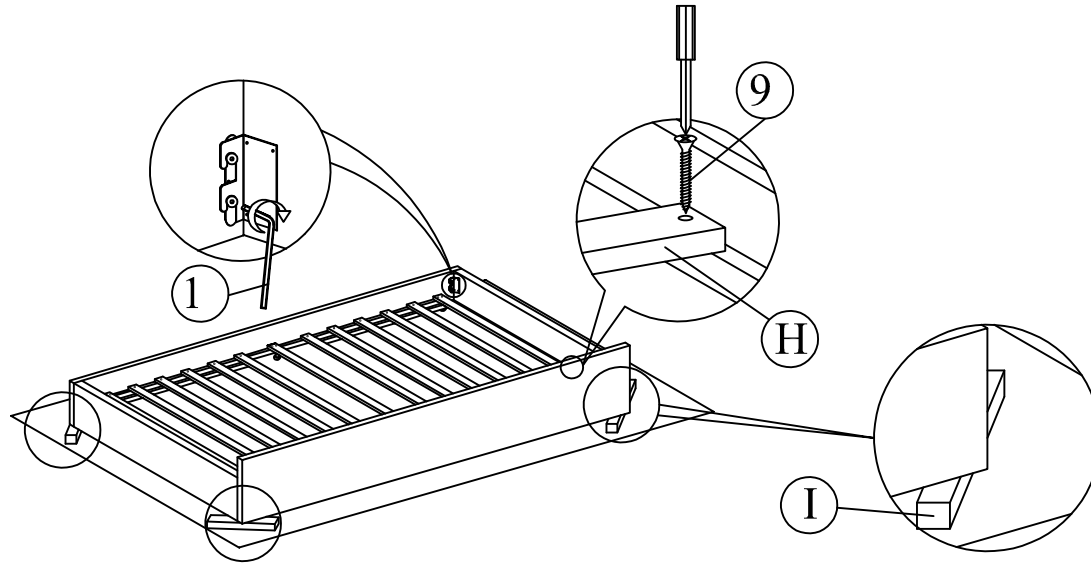
Step 4: Affix the roller (11) to the slat (H) follow the marking on the slat (H)



Packing Hardware (2)

8		1 pc
	M5 x 70 mm	
9		32 pcs
	CSK M4 x 32 mm	
10		24 pcs
	CSK M4 x 16 mm	
11		6 pcs

Step 5: Place the wooden blocks (I) at the corner of the trundle and fix the slat (H) to the side rail at (E) & (F) .



Step 6: Assembly is complete

