




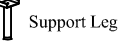




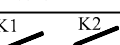
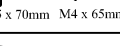
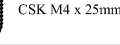
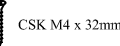


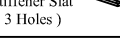
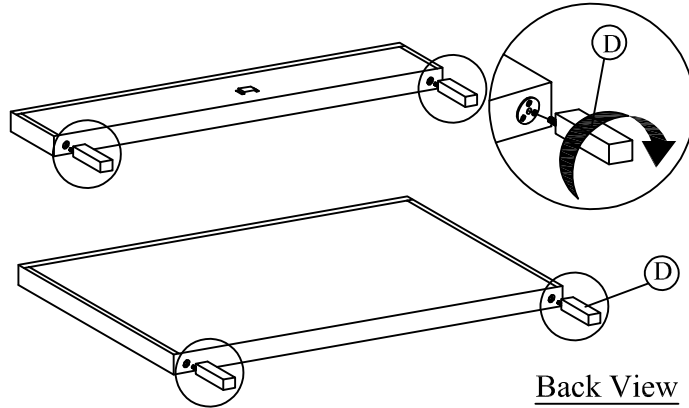


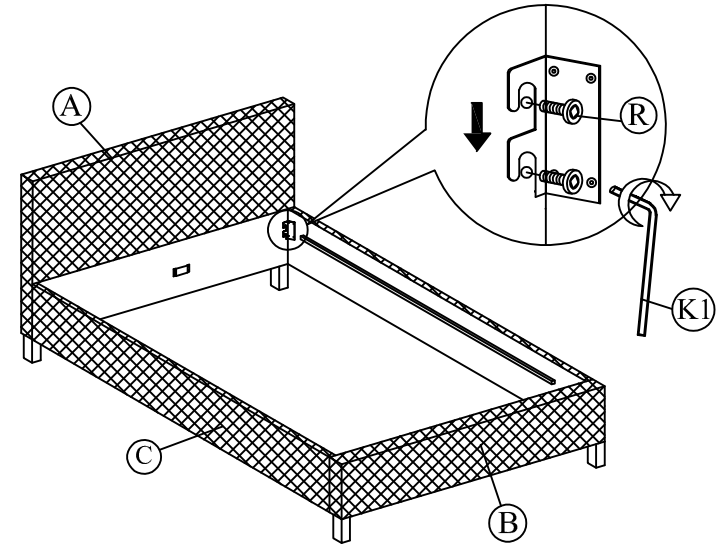
# ASSEMBLY INSTRUCTION

A	 Headboard	1 pc
B	 Footboard	1 pc
C	 Side Rail	2 pcs
D	 Leg	4 pcs
E	 Center Rail	1 pc
F	 Support Leg	2 pcs
G	 Slat	28 pcs
H	 Middle Holder	14 pcs
I	 End Holder	28 pcs
J	 JCBC M6 X 40	2 pcs
K	 K1 M5 x 70mm K2 M4 x 65mm	1 pc
L	 CSK M4 x 25mm	2 pcs
M	 CSK M4 x 32mm	3 pcs
N	 CSK M4 x 16mm	4 pcs
P	 Stiffener Slat ( 3 Holes )	1 pc
Q	 Adjuster	2 pc
R	 JCBB M8 X 20	8 pcs

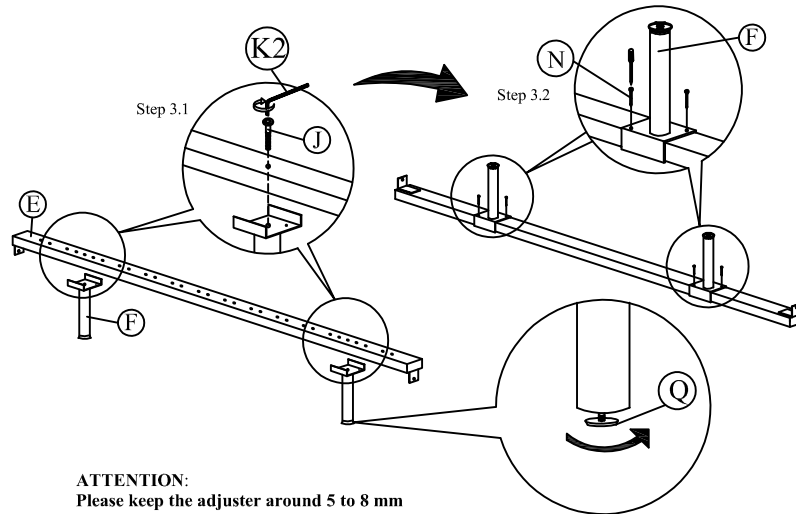
Step 1: Tighten the legs (D) to both headboard (A) and footboard (B) as shown.



Step 2: Attach side rail (C) to headboard (A) and footboard (B) by pushing the bracket down to fit it.

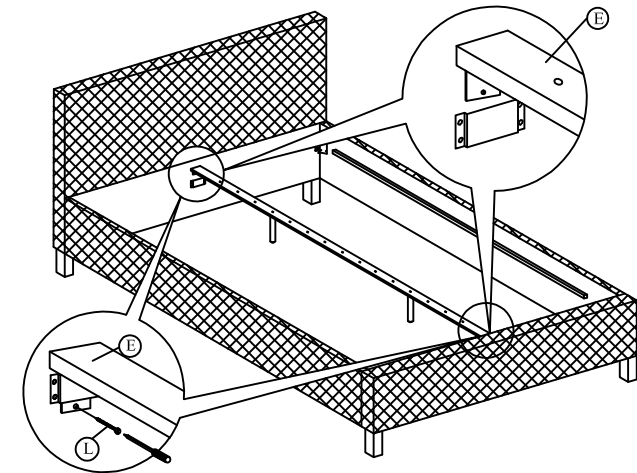


Step 3: Attach the support legs (F) to the center rail (E) of the bed as shown.



**ATTENTION:**  
Please keep the adjuster around 5 to 8 mm distant away from the floor.

Step 4: Slide the center rail (E) to the headboard (A) and footboard (B). Tighten screws (L) using screw driver (not included) to the headboard (A) and footboard (B).



Step 5: Affix the Stiffener Slat (P) to the side rail support wood and the center rail (E) . Tighten all the 4 corner , follow by assembly of the slat holders with LVL slats as shown.

