


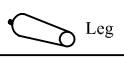

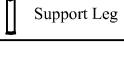




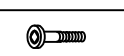
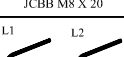
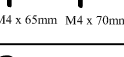
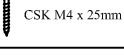
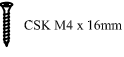

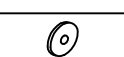
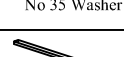
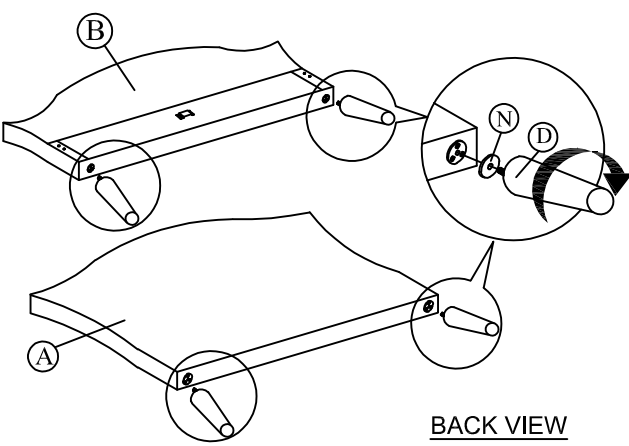


# ASSEMBLY INSTRUCTION

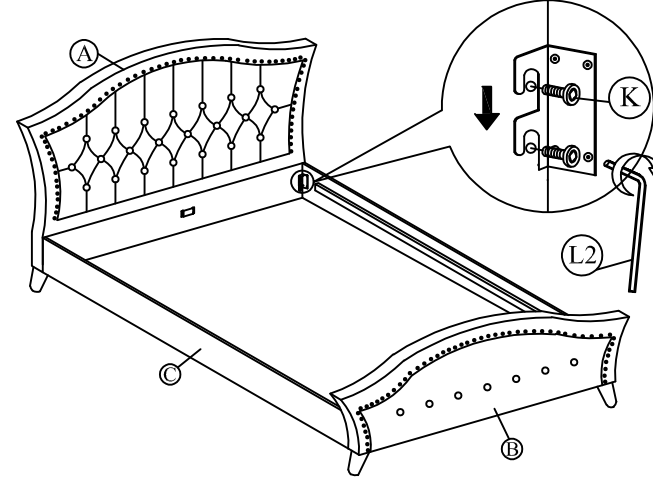
A	 Headboard	1 pc
B	 Footboard	1 pc
C	 Side Rail	2 pcs
D	 Leg	4 pcs
E	 Center Rail	1 pc
F	 Support Leg	2 pcs
G	 Slat	28 pcs
H	 Middle Holder	14 pcs
I	 End Holder	28 pcs
J	 JCBC M6 X 40	2 pcs
K	 JCBB M8 X 20	8 pcs
L	 L1 L2 M4 x 65mm M4 x 70mm	1 pc
M	 CSK M4 x 25mm	2 pcs
N	 CSK M4 x 16mm	4 pcs
O	 CSK M4 x 32mm	3 pcs
P	 No 35 Washer	4 pcs
Q	 Stiffener Slat ( 3 Holes )	1 pc
R	 Adjuster	2 pcs

Step 1: Tighten the legs (D) to both headboard (A) and footboard (B) as shown.



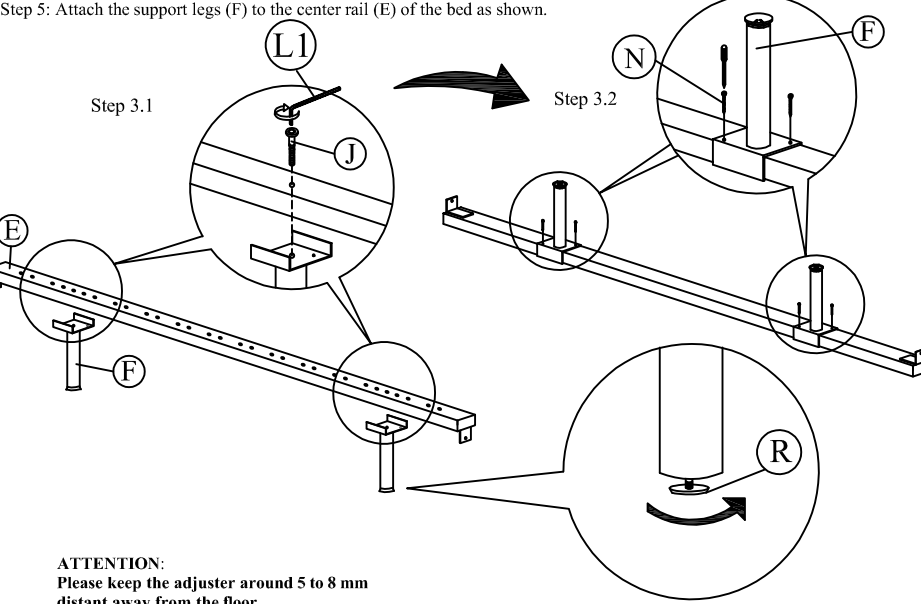
**BACK VIEW**

Step 2: Attach side rail (C) to headboard (A) and footboard (B) by pushing the bracket down to fit it.

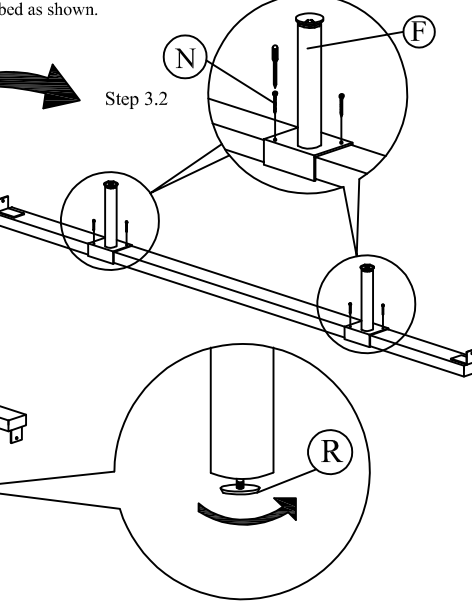


Step 5: Attach the support legs (F) to the center rail (E) of the bed as shown.

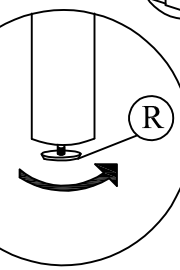
Step 3.1



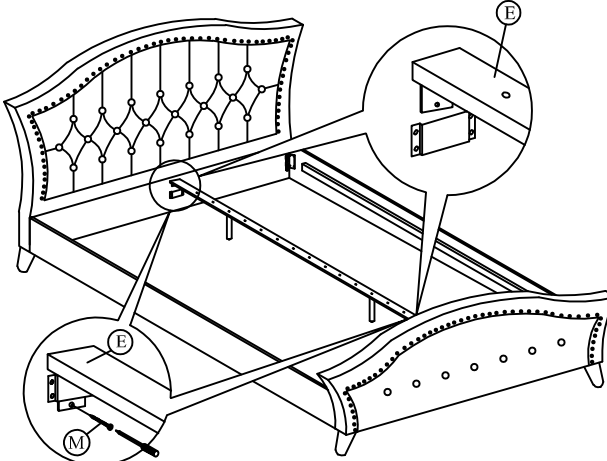
Step 3.2



**ATTENTION:**  
Please keep the adjuster around 5 to 8 mm distant away from the floor.



Step 4: Slide the center rail (E) to the headboard (A) and footboard (B). Tighten screws (M) using screw driver (not included) to the headboard (A) and footboard (B).



Step 5: Affix the Stiffener Slat (Q) to the side rail support wood and the center rail (E) . Tighten all the 4 corner , follow by assembly of the slat holders with LVL slats as shown.

