

Read this instruction carefully. See hardware and furniture part list for guidance. Be sure all parts are complete, before you assemble. Place all wooden furniture parts on a clean and flat soft surface to prevent from being scratched. Follow the figure to start assembling.

**CAUTIONS :**

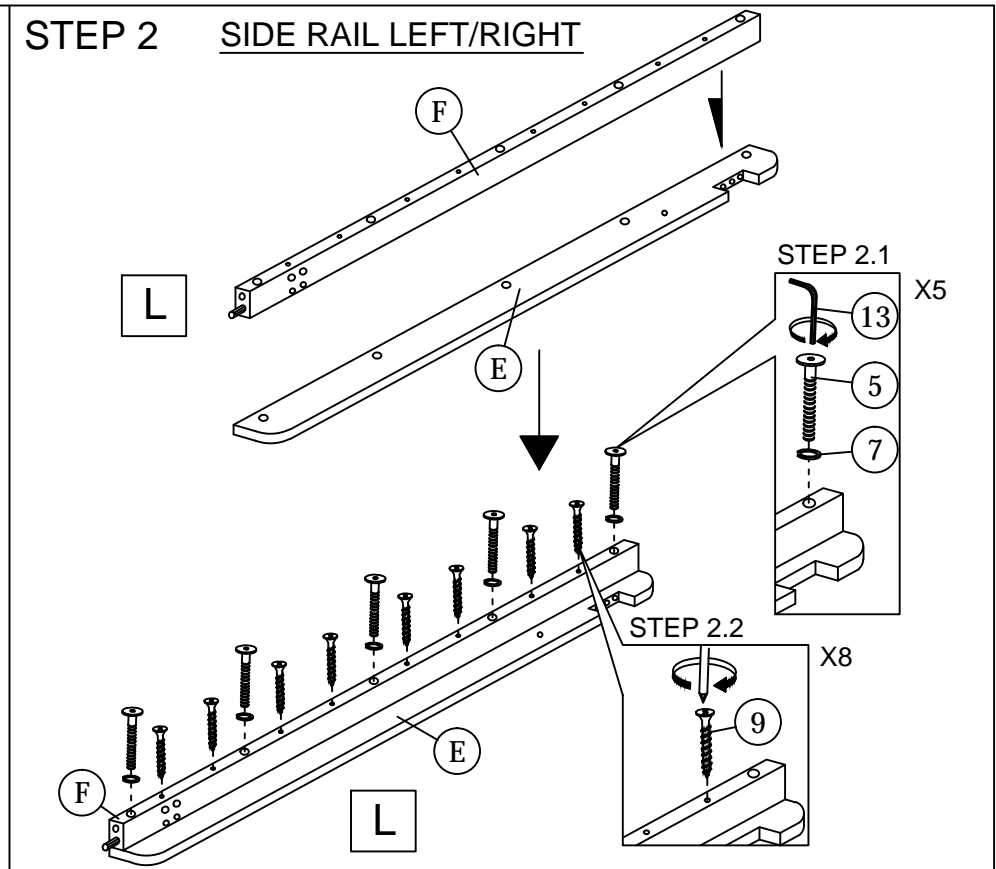
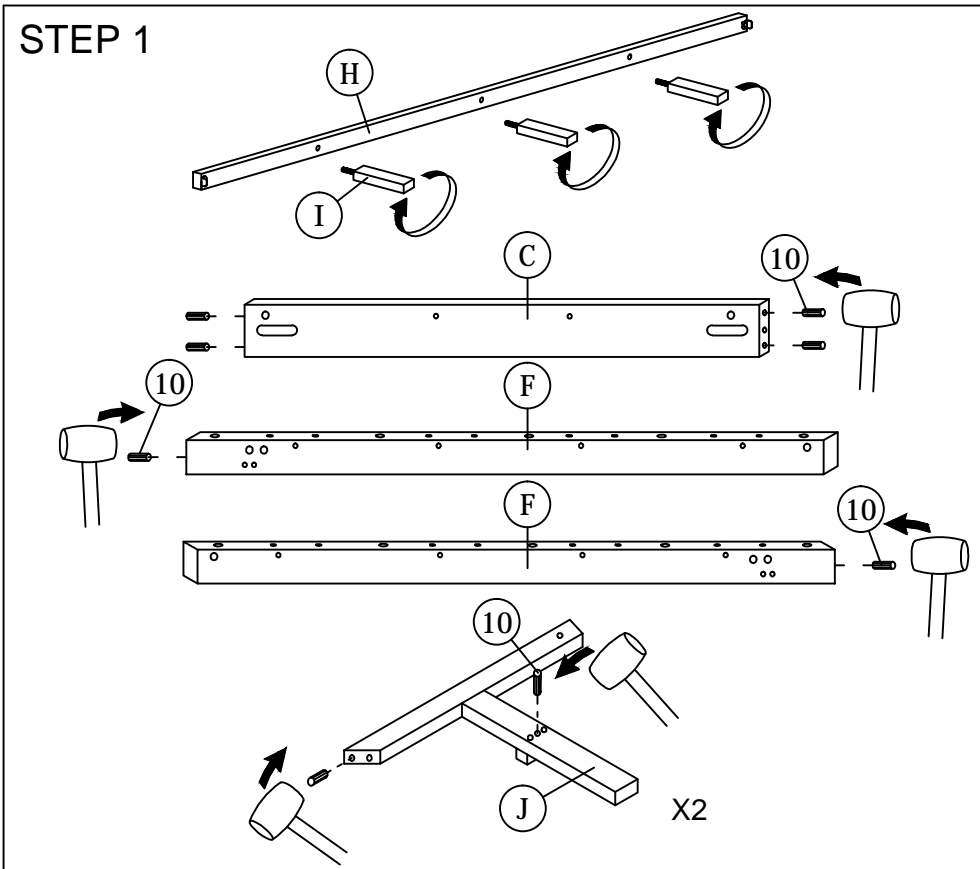
1. Do not FULLY - TIGHTEN the nut or nut bolt until all nut or bolt is ready assembled.
2. Do not OVER - TIGHTEN the nut or bolt to avoid causing damages to the thread.
3. Keep all hardware parts out of reach of children.

**NOTE :** THE LIST AND QUANTITY SHOWN ARE FOR 1 UNIT ASSEMBLY.

Tool needed : Screwdriver & Rubber Mallet (not provider).

| PART LIST |                         |       |
|-----------|-------------------------|-------|
| ITEM      | DESCRIPTION             | QTY   |
| A         | HEADBOARD               | 1 PC  |
| B         | FOOTBOARD               | 1 PC  |
| C         | FOOTBOARD PANEL         | 1 PC  |
| D         | FOOTBOARD SUPPORT       | 1 PC  |
| E         | SIDE RAIL PANEL (L/R)   | 2 PCS |
| F         | SIDE RAIL SUPPORT (L/R) | 2 PCS |
| G         | SIDE RAIL SUPPORT WOOD  | 2 PCS |
| H         | CENTER RAIL             | 1 PC  |
| I         | CENTER RAIL LEG         | 3 PCS |
| J         | ARM (L/R)               | 2 PCS |
| K         | LEG (L/R)               | 2 PCS |
| L         | BED SLAT                | 1 SET |

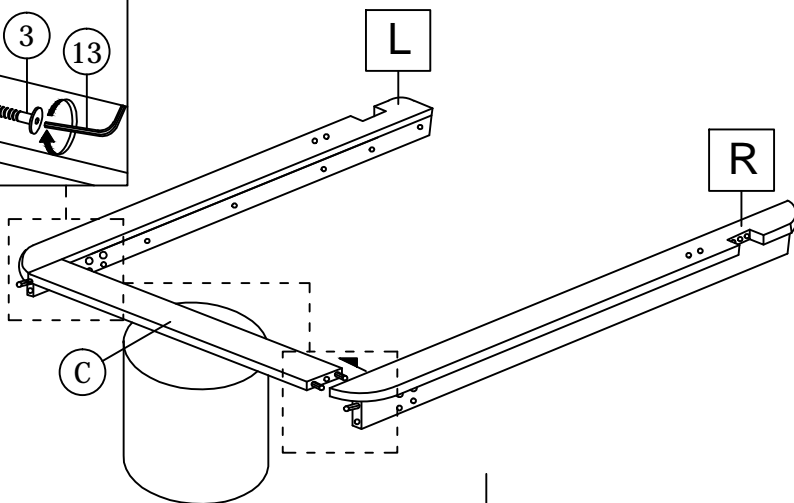
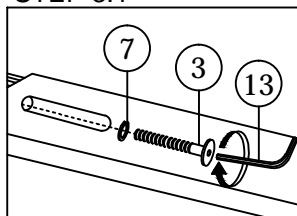
| HARDWARE LIST |                           |        |
|---------------|---------------------------|--------|
| ITEM          | DESCRIPTION               | QTY    |
| 1             | JCBC BOLT M6 x 45mm       | 8 PCS  |
| 2             | JCBB BOLT M8 x 40mm       | 14 PCS |
| 3             | JCBB BOLT M8 x 50mm       | 2 PCS  |
| 4             | JCBB BOLT M8 x 60mm       | 2 PCS  |
| 5             | JCBB BOLT M8 x 70mm       | 13 PCS |
| 6             | M8 FLAT WASHER            | 4 PCS  |
| 7             | M8 SPRING WASHER          | 31 PCS |
| 8             | WOOD SCREW M4 x 38mm      | 9 PCS  |
| 9             | WOOD SCREW M4 x 45mm      | 24 PCS |
| 10            | WOOD DOWEL M10 x 30mm     | 10 PCS |
| 11            | WOOD BUTTON DIA 18.5mm    | 2 PCS  |
| 12            | M4 ALLEN KEY (BALL SHAPE) | 1 PC   |
| 13            | M5 ALLEN KEY (BALL SHAPE) | 1 PC   |



# ASSEMBLY INSTRUCTIONS

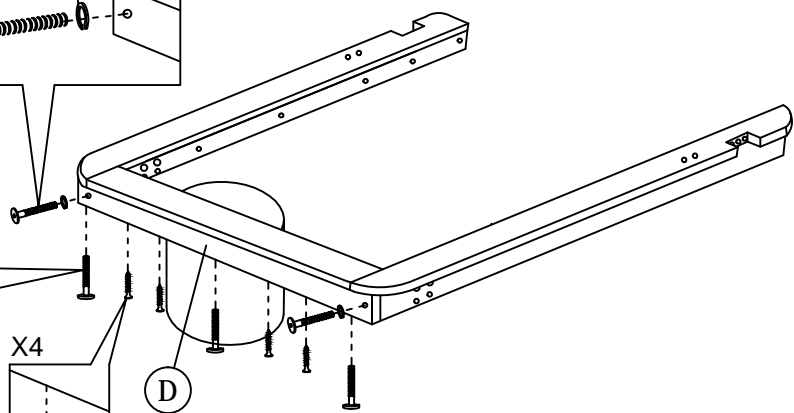
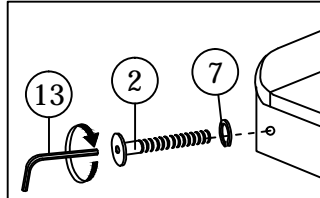
## STEP 3

### STEP 3.1

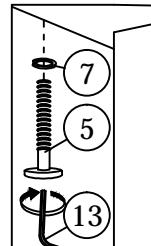


### STEP 3.2

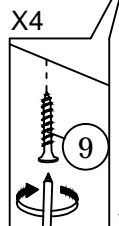
X2



X3



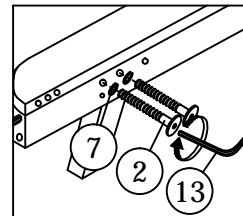
### STEP 3.3



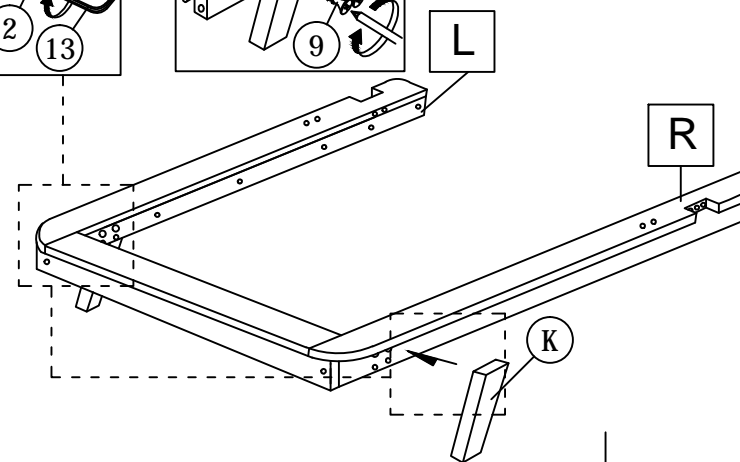
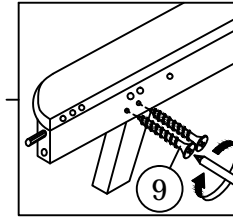
### STEP 3.4

## STEP 4

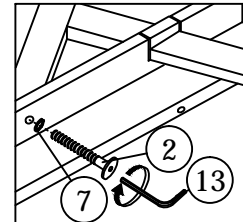
### STEP 4.1



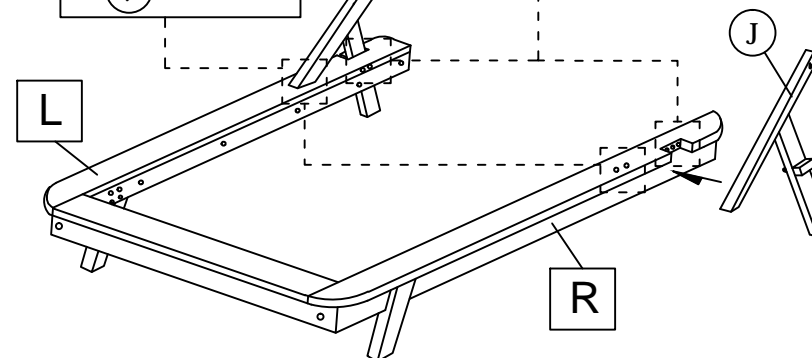
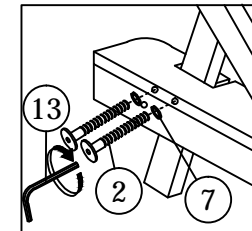
### STEP 4.2



### STEP 4.4

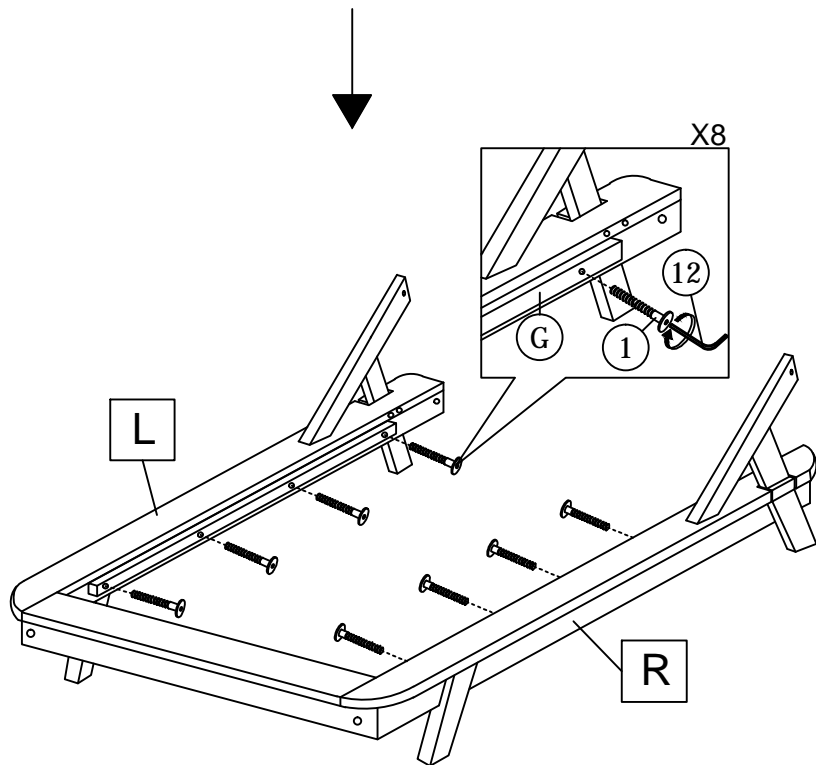
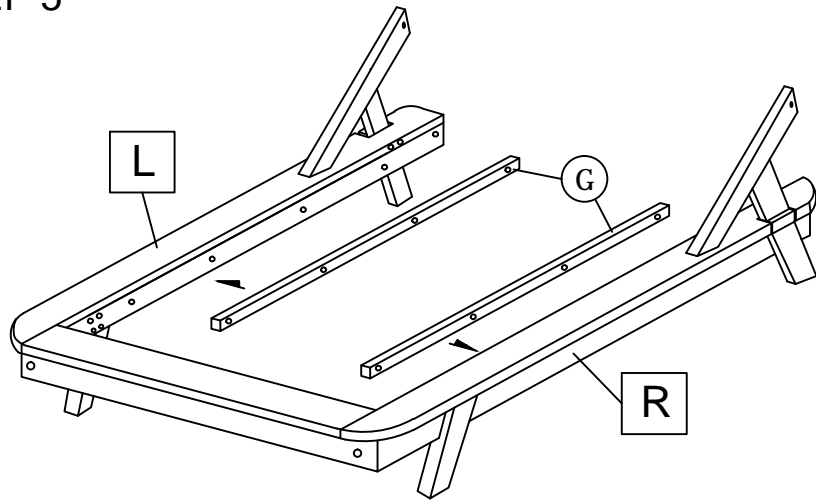


### STEP 4.3

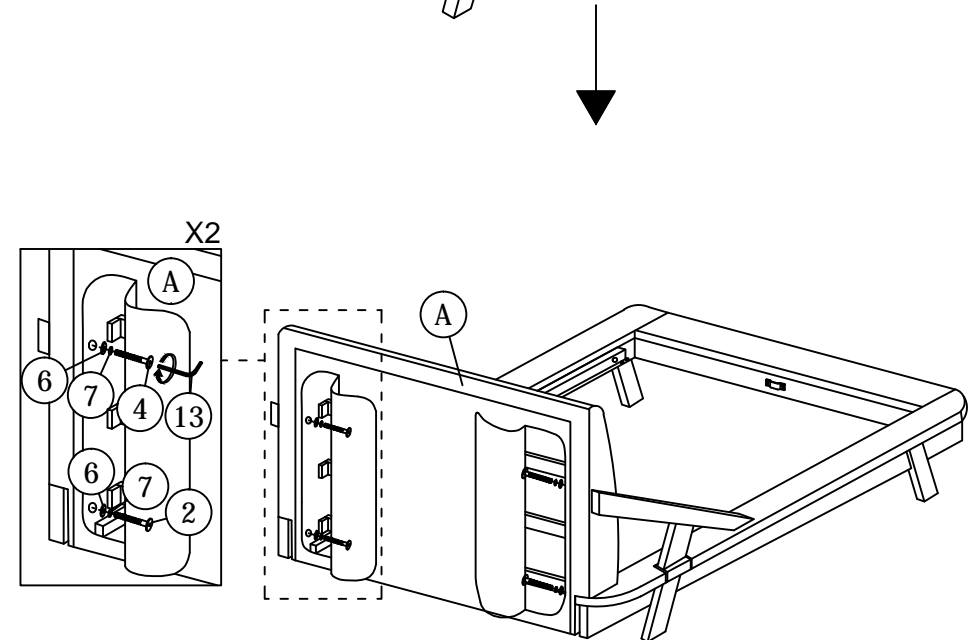
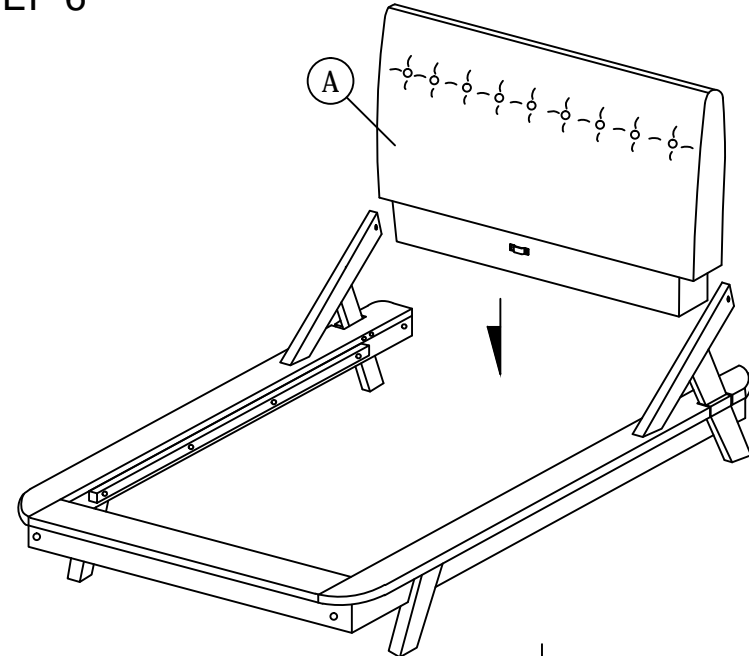


# ASSEMBLY INSTRUCTIONS

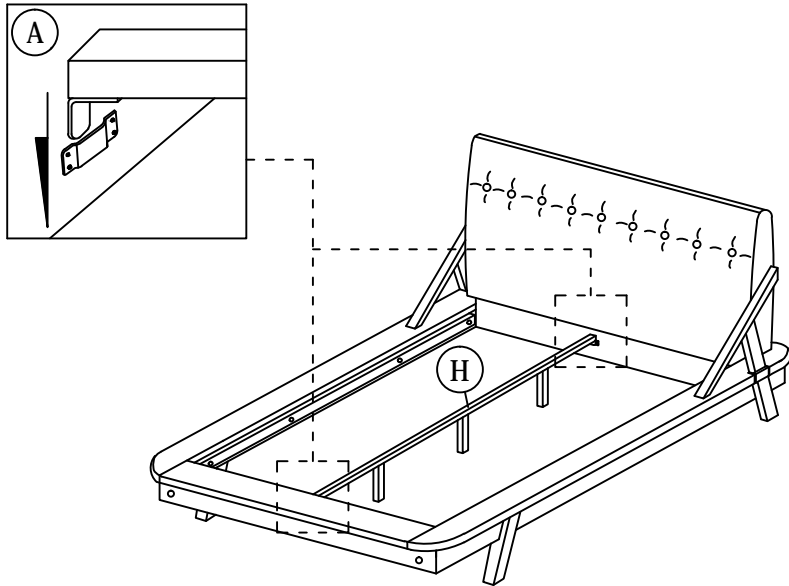
## STEP 5



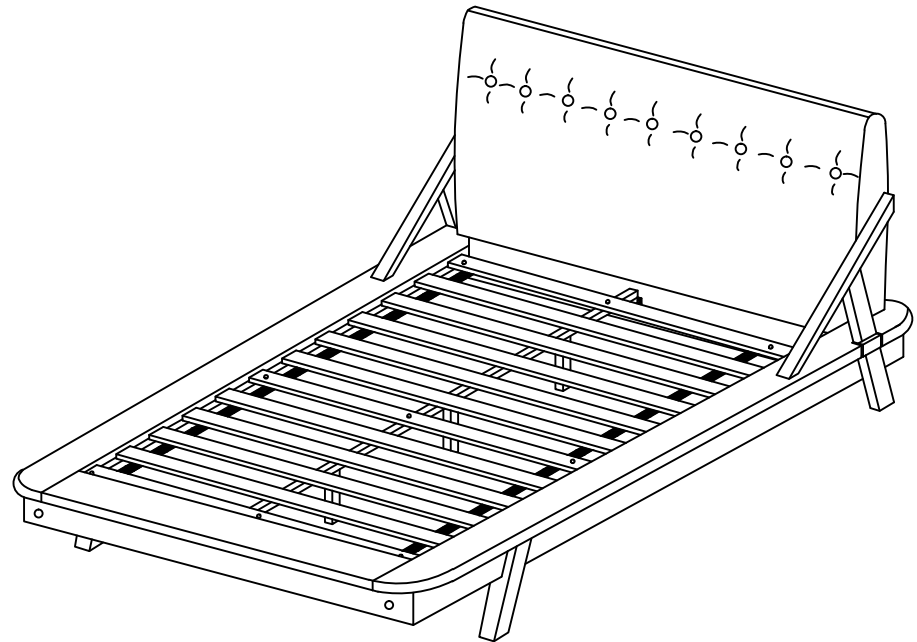
## STEP 6



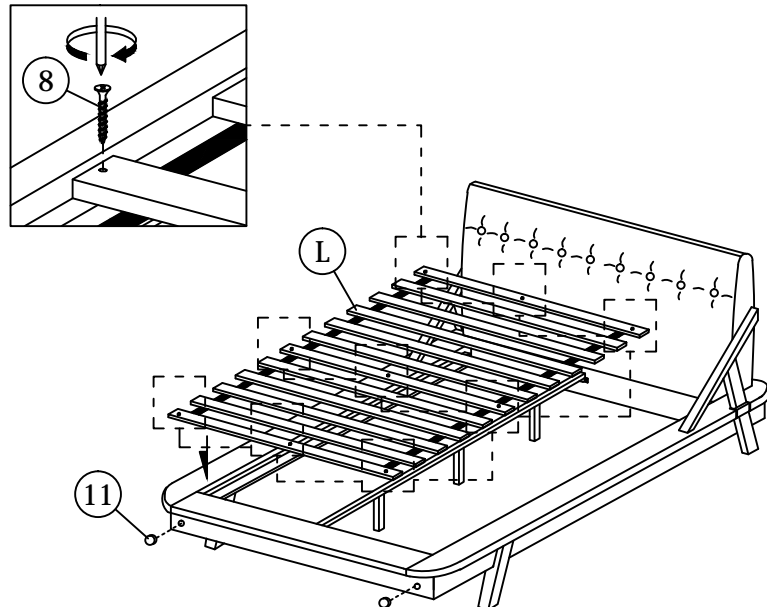
## STEP 7



## STEP 9



## STEP 8



\* When moving the bed position, the center support legs must be adjust to be straight to avoid any broken problem.